

CURVE CYLINDER SPOT MAGNETIC TRACK LIGHT

GENERAL SPECIFICATION

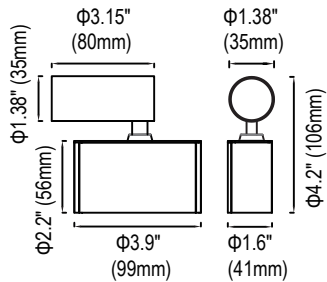
Two sizes with three different beam angles. Junction arm integrated in the spotlight's body to keep the barycentre aligned with the track. This junction arm allows 360° rotation in horizontal direction and 90° rotation in vertical direction.

CCT: 2700K/3000K/4000K
CRI: RA90
DIM: Triac, 0/1-10V,
Installation: Magnetic
Environment: Indoor

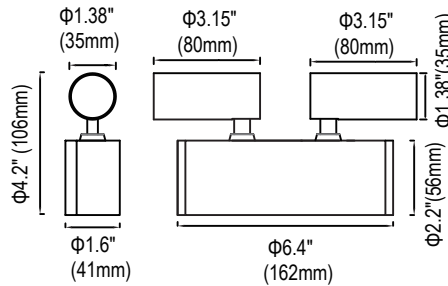


DIMENSION

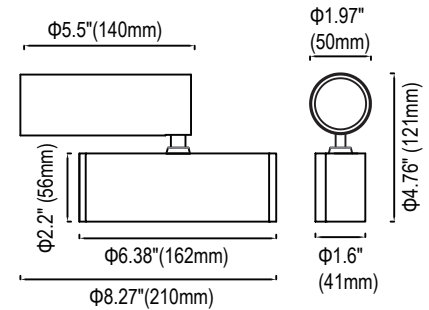
Small 5W



Small 2x5W



Medium 10W



Ordering Information

Example: CCSS2X5-3090-24V-30-MTM-BK

Series	Size	Watts	. CCT&CRI	. Voltage	Lens	Installation	- Finish
CCS	S - Small	5 - 5W	2790 - 2700K 90Ra	24V-24Vdc ¹	20 - 20 degree	MTM - Magnetic Track Mount	BK -Black ² WH -White ²
		2X5 - 2X5W	3090 - 3000K 90Ra		30 - 30 degree		
			4090 - 4000K 90Ra		40 - 40 degree		
	M - Medium	10 - 10W			18 - 18 degree 24 - 24 degree 36 - 36 degree		

Notice:

1. The fixture is used for 24V magnetic track system.
2. Standard Finish is black and white. Custom colors might be available at an additional fee.

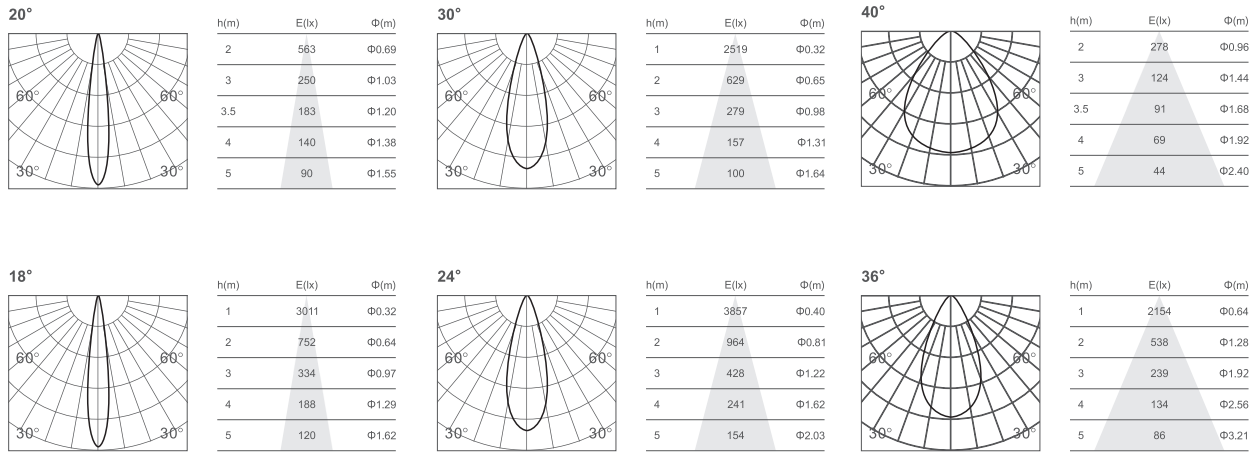

Small Spot 5W

Small Spot 2X5W

Medium Spot 10W

PHOTOMETRY

All published luminaire photometric testing performed to IESNA LM-79-08 standards by a NVLAP certified laboratory.



PERFORMANCE DATA

Lumen values are estimated with LED data sheet.

Watts	Lens	Lumen Output	CRI	CCT	LPW
5	20/30/40°	530	90	3000K	106
2X5	20/30/40°	1060	90	3000K	106
10	18/24/36°	680	90	3000K	68