



EUNIKE GEN2 LED LUMINARIE



PRODUCT DESCRIPTION

The Eunike GEN2 LED Luminaire brings architectural style to any area or site, impacting pedestrian-scale for improved comfort and security. Support the most popular mounting type such as single arm, twins arm, post top and side entry. Various precise optical lenses available. Tool-less maintenance and easy-to-install design.

FEATURE

- Different mounting arms available
- Three CCT selectable
- 30%, 50%, 75% and 100% power selectable
- Efficiency up to 150LPW
- Various precise optical lenses
- Tool-less maintenance
- Compatible with NEMA socket

ELECTRICAL SYSTEM

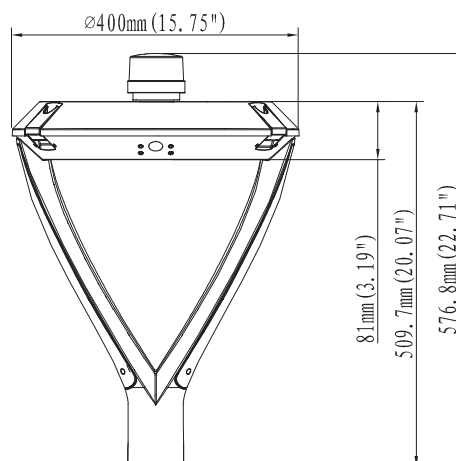
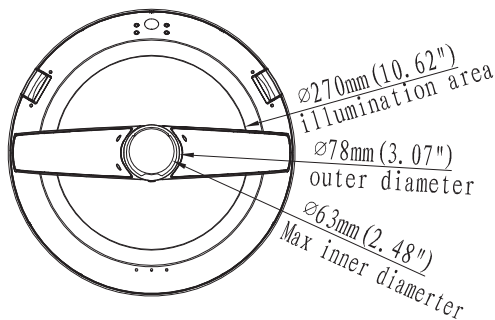
- Input Voltage: 120-277VAC, 50/60Hz
- 0-10V dimming
- Operating temperature range: -30-104 °F (-22-40 °C)
- Power Factor: > 0.9
- Total Harmonic Distortion: < 20% at full load
- 10kV surge suppression available

SPECIFICATION

Twins Arm

Effective Projected Area (EPA): 0.11m²/1.15ft²

Net Weight for: 6.8±0.3kg (15.0± 0.66Lbs)



PERFORMANCE

CRI

70+

CCT

3000K, 4000K, 5000K

Projected Lifetime

L70 - 100,000 Hours

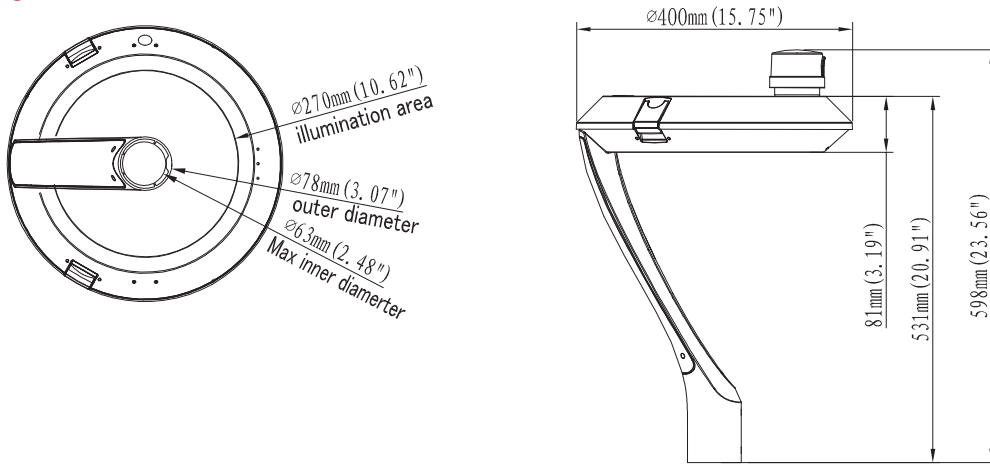
Working Temperature

-22-104°F (-30-40°C)

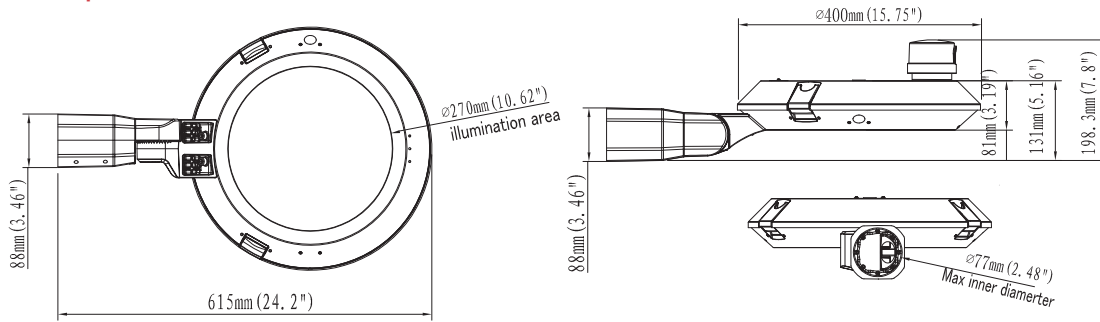
Certifications

- cETL Listed
- IP66 rated
- IK08 rated
- RoHS compliant

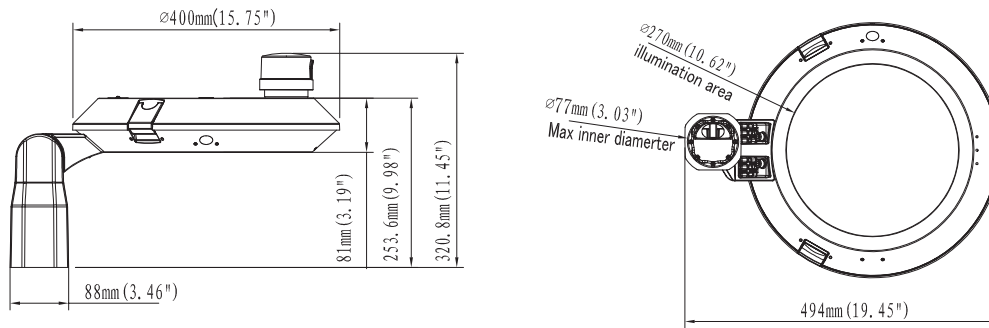
Single Arm



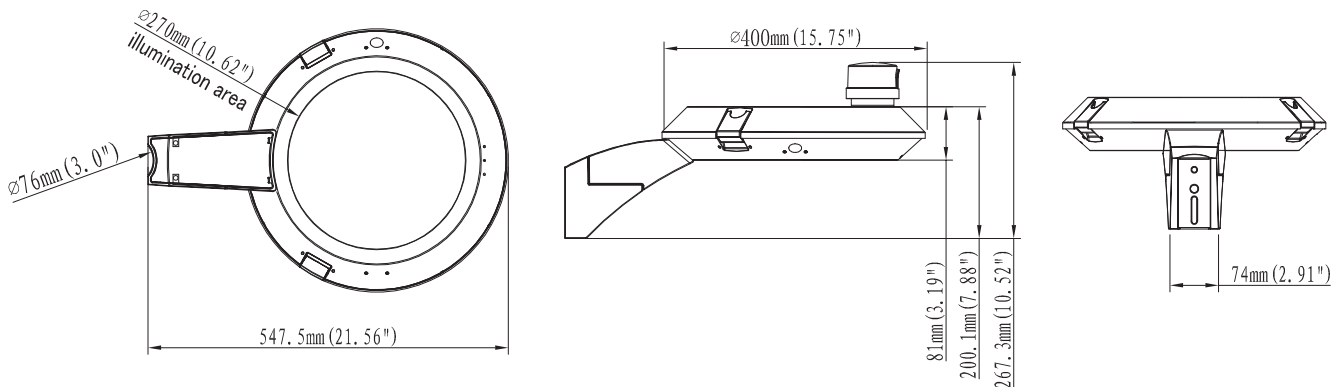
Horizontal Slip Fitter Mount



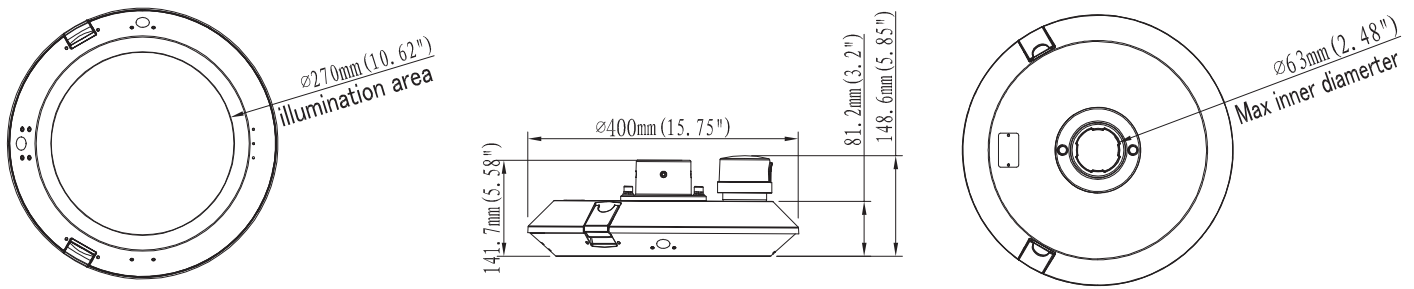
Vertical Slip Fitter Mount



Side Arm



Gooseneck Mount



Ordering Information

Example: EPT2-60SP-SW1-SDAR-V

Name	- Watts	- CCT	Voltage	- Control	- Installation	- Distribution	- Lens	- Finish
EPT2	60SP - 60W Selectable ¹	-SW - 3000K/4000K 5000K selectable ²	1-120-277V	Blank - None PC - Photoelectric Control 7P - 7Pin PE Receptacle ³ MSW - Microwave Motion Sensor ⁶	TAR - Twins Arm SAR - Single Arm SDAR - Side Arm SF - Slip fitter for 2 3/8" to 3" pole GM - Gooseneck Mount Adapter ⁷	II - Type II III - Type III IV - Type IV ⁴ V - Type V ⁵	Blank - Glass Clear Lens	Blank - Bronze (RAL8019)

Notice:

- 60W selectable is standard. 30%, 50%, 75% and 100% power selectable. 60W are default setting. If need other wattage, please change the setting in the field.
- 4000K is default setting. If need other CCT please change the setting in the field.
- Shorting cap included.
- Type IV is only for twins and single arm.
- Type V is only for side arm, slip fitter and gooseneck mount.
- Microwave dimming sensor for mounting height 40ft (12m) max. Different functions can be set by the remote controller AAL-RC-100.
- The gooseneck mount adapter is suitable for $\Phi 2.48''$ (60mm) gooseneck pole. The gooseneck pole is customer supplied.

* Standard Finish is Bronze. Custom colors might be available for an additional fee. Please check with Customer Service for more information.

Accessories (Ordered separately & field installed)



EPT-4RPA
4" OD Round Pole Adapter



EPT-4SPA
4" Square Pole Adapter

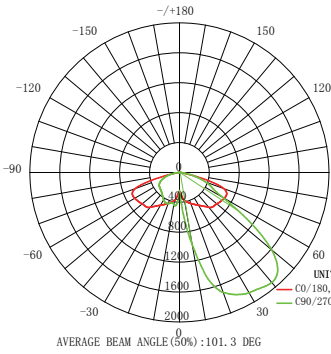


AAL-RC-100
Remote control for sensor

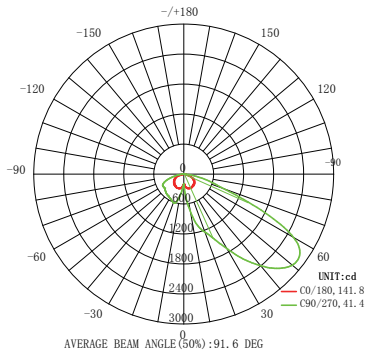
PHOTOMETRY

All published luminaire photometric testing performed to IESNA LM-79-08 standards by a NVLAP certified laboratory.

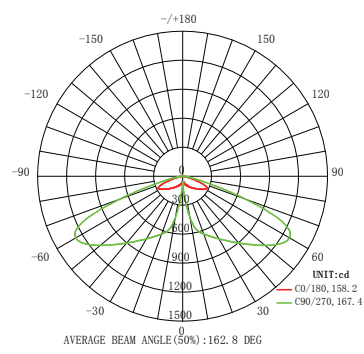
For Twins Arm



Type II

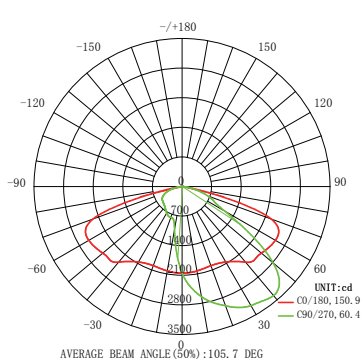


Type III

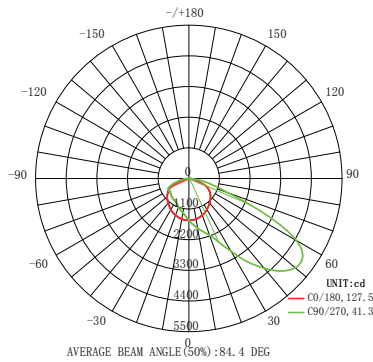


Type IV

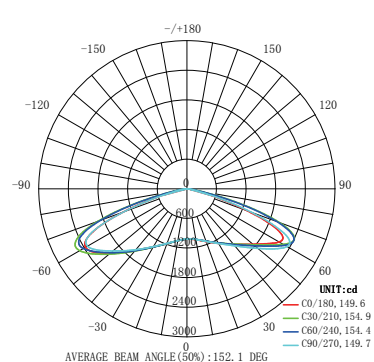
For Side Arm/ Slip Fitter/ Gooseneck Mount



Type II



Type III



Type V

PERFORMANCE DATA

LUMEN OUTPUT

Lumen values are measured by third party certified laboratories performed in accordance with IESNA LM-79-08 as well as Lighting Facts listed.

For Twins Arm

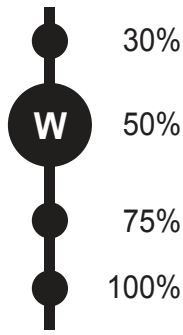
Nominal Watts	Measured Watts	Lumen Output	CCT	Dist. Type	CRI	LPW
30W	29W	3770lm	4000K	Type IV	>70	130
60W	58W	7540lm	4000K	Type IV	>70	130

For Side Arm/ Slip Fitter/ Gooseneck Mount

Nominal Watts	Measured Watts	Lumen Output	CCT	Dist. Type	CRI	LPW
30W	30W	4620lm	4000K	Type V	>70	154
60W	58W	8870lm	4000K	Type V	>70	153

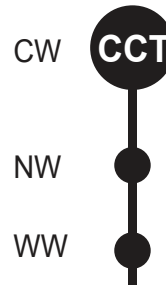
For Singe Arm

Nominal Watts	Measured Watts	Lumen Output	CCT	Dist. Type	CRI	LPW
30W	30W	4170lm	4000K	Type IV	>70	139
60W	58W	8120lm	4000K	Type IV	>70	140



Power Adjustable

100%、75%、50%、30% adjustable



CCT Selectable

3000K, 4000K, 5000K adjustable



Twins Arm Mount



Single Arm Mount



Vertical Slip Fitter Mount



Gooseneck Mount

* The gooseneck pole is customer supplied



Side Arm Mount



Horizontal Slip Fitter Mount

DAYLIGHT HARVEST MICROWAVE SENSOR SETTING (ANT-9)

By selecting the combination on the DIP switch, sensor data can be precisely set for each specific application. The sensor setting also can be done by a remote control (RC-100) which need to be bought separately.

	1	2	
I	↓	↓	20%
II	↓	↑	50%
III	↑	↓	75%
IV	↑	↑	100%

Sensitivity

Sensitivity can be reduced by selecting the combination on the DIP switches to fit precisely each application .

Default Setting: 100%

	3	4	
I	↓	↓	10 S
II	↓	↑	1 Min
III	↑	↓	5 Min
IV	↑	↑	15 Min

Hold time

Refers to the time period the lamp remains at 100% illumination after no motion detected.

Default Setting: 1min

	5	6	
I	↓	↓	☀
II	↓	↑	10 Lux
III	↑	↓	30 Lux
IV	↑	↑	50 Lux

Daylight sensor

The sensor can be set to only allow the lamp to illuminate below a defined ambient brightness threshold.

Default Setting: 30 Lux

	7	8	
I	↓	↓	0%
II	↓	↑	10%
III	↑	↓	30%
IV	↑	↑	50%

Stand-by dimming level

The low light level you would like to have after the hold time in the long absence of people.

Default Setting: 30%

	9	10	
I	↓	↓	+ ∞
II	↓	↑	1 Min
III	↑	↓	30 Min
IV	↑	↑	60 Min

Stand-by time

Refers to the time period the lamp remains at a low light level before it completely switches off in the long absence of people. When set to “+∞” mode, the low light is maintained until motion is detected

Default Setting: +∞

Warranty

Five year limited warranty.

Specifications subject to change without notice.