

## SAFETY INSTRUCTION

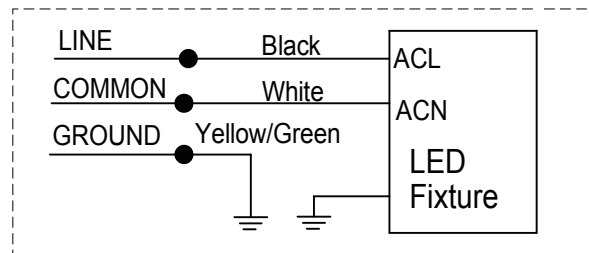
- Check the input voltage carefully before power on.
- The installation and disassembly must be operated by a professional technician.
- When you open the package, please check if there are signs of serious damage to the lamps.
- Switch off main power when do installation or connection in case of electric shock.
- This product can only be installed in dry or sunny weather.
- Do not remove or replace the original parts, or water leakage may be caused and lighting efficiency will be affected.
- Replace the glass immediately if it gets broken.
- IP65. The installation and wiring connection can't be in a pool or area with water long time.
- The joint of wiring connection between products and main power must be waterproofed properly.
- LED lighting products can not be in a same circuit with MH, Sodium products or electromotor.
- The product is suggested not be installed near seaside or the environment with high corrosion elements, otherwise, the product may get corrosion or rusted.

## WIRE CONNECTION

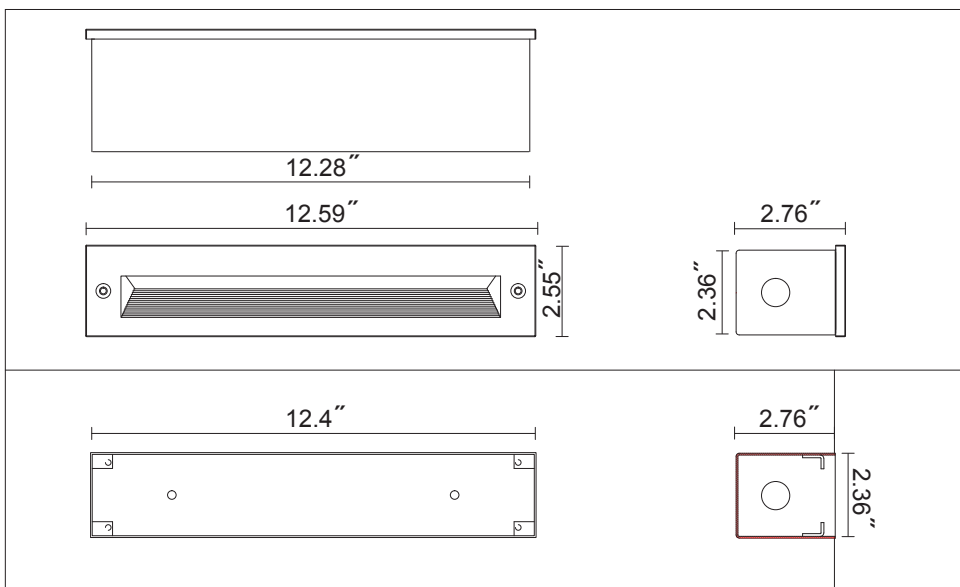
Universal Voltage permits operation at 120VAC thru 277VAC, 50 or 60 Hz.

Make the following Electrical Connection:

- a). Connect the voltage supply line to ACL in Black.
- b). Connect the voltage supply Neutral to ACN in White.
- c). Connect Green ground lead to the supply ground lead.



## DIMENSION

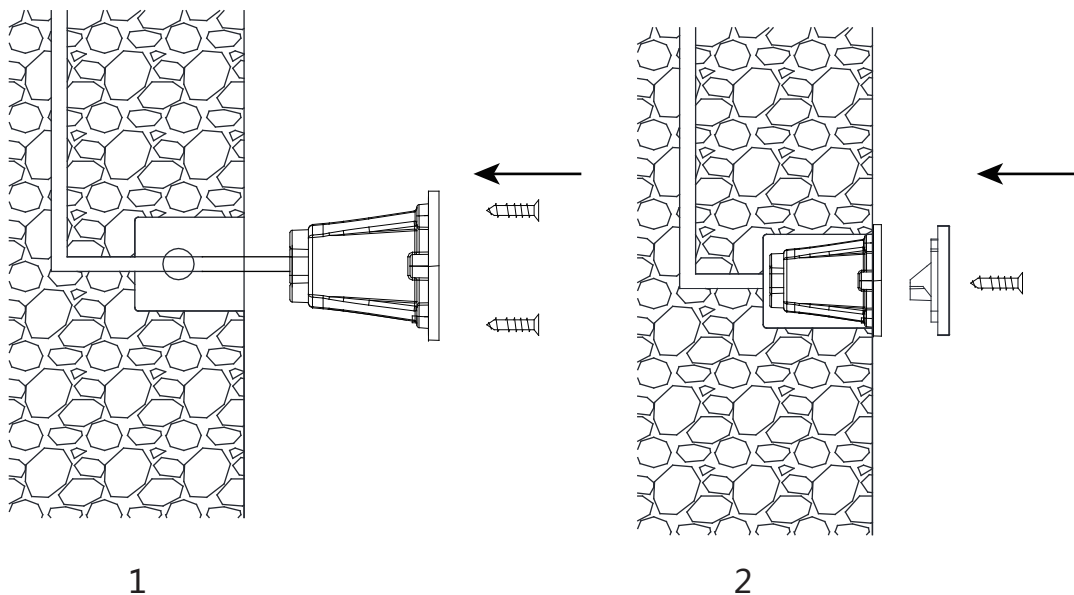


### INSTALLATION

#### WARNING

**Risk of injury or damage. Make certain power is OFF before installing or maintaining fixture.**

- Open the box, take the fixture and preinstall box out.
- Install the preinstall box to pre-digged hole, the surface of box must be in a same level with ground
- Pull the the wiring of main power out through preinstall box and make the sure the wiring length is capable to be connected with fixture easily.
- The wiring connection joint between fixture and main power must be waterproofed in case of water leakage.
- Remove the face plate after loosing the two screws by allen wrench.
- Make sure the two holes on fixture and preinstall box in alignment, fix them tightly with screws.
- Before assembling the face plate, check if any signs of water or dust inside of fixture, clean them, after face plate assembling, the product is ready to work.



The Manual only tells the installation steps and attentions, DMX and the related control system may need different and professional direction.