

SAFETY INSTRUCTION



READ CAREFULLY BEFORE INSTALLING FIXTURE. PLEASE KEEP THIS MANUAL FOR FUTURE USE.

Fixtures must be wired in accordance with the National Electrical Code and all applicable local codes. Proper grounding is required for safety.

THIS PRODUCT MUST BE INSTALLED IN ACCORDANCE WITH THE APPLICATION CODE BY A PERSON FAMILIAR WITH THE CONSTRUCTION AND OPERATION OF THE PRODUCT AND THE HAZARDS INVOLVED.

MAKE CERTAIN POWER IS OFF BEFORE INSTALLING OR MAINTAINING FIXTURE.

CHECK THAT VOLTAGE IS COMPATIBLE WITH FIXTURE DRIVER. USE APPROVED CONNECTORS FOR ALL ELECTRICAL CONNECTIONS.

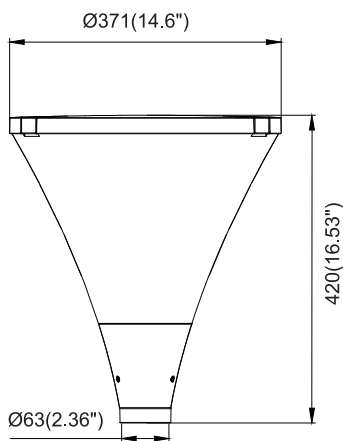
MAINTENANCE CAUTION



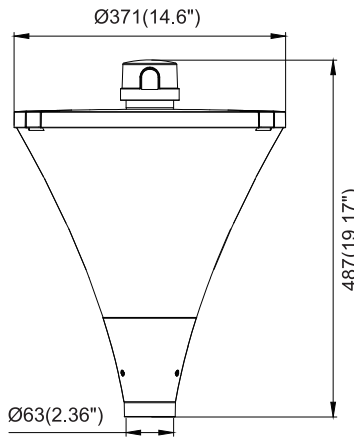
1. Review the wire connection before beginning, and make sure fixture is grounded properly.
2. For lighting controls, follow control instructions carefully.
3. Turn power off and wait for fixture to cool before performing maintenance.
4. Maintenance must be done by professionals.

DIMENSIONS

Physical Dimensions(Unit: mm/inch)



Standard version



Photocell version

WIRE CONNECTION



Warning! do not wire dim cord to high voltage, or dim function will fail.

Dimmable

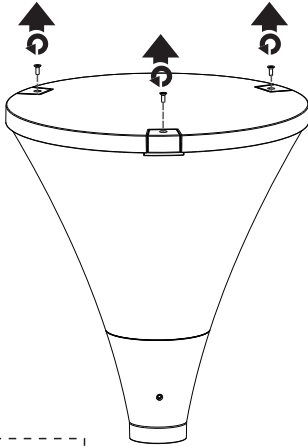
L	brown	black
N	blue	white
⊕ GND	yellow/green	green

⊙	DIM+/DA1	purple	or	purple	or	blue	or	brown	or	black	or	red
⊙	DIM-/DA2	gray	or	pink	or	white	or	blue	or	gray	or	orange
⊙	DIM+/DA1	purple	or	purple	or	purple	or	purple				
⊙	DIM-/DA2	gray	or	pink	or	gray	or	pink				
	Aux 12Vdc +	pink	or	black/white	or	black/white	or	red				
⊙	DIM+/DA1	purple	or	purple	or	purple						
⊙	DIM-/DA2	gray	or	pink	or	pink						
	Aux 12Vdc +	pink	or	black/white	or	black/white						
	Aux 12Vdc -	black/white	or	blue/white	or	orange						
⊙	L	brown	or	black	or	black						
⊙	N	blue	or	white	or	white						
⊙	⊕ GND	yellow/green	or	green	or	green						
	DIM+/DA1	black	or	red	or	brown						
	DIM-/DA2	gray	or	orange	or	blue						

WATTAGE AND CCT SELECTABLE

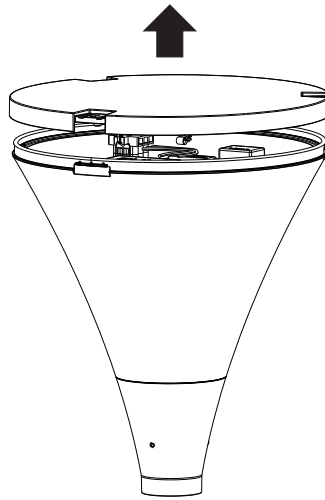
Power Default Setting: 100%
CCT Default Setting: 4000K

1.

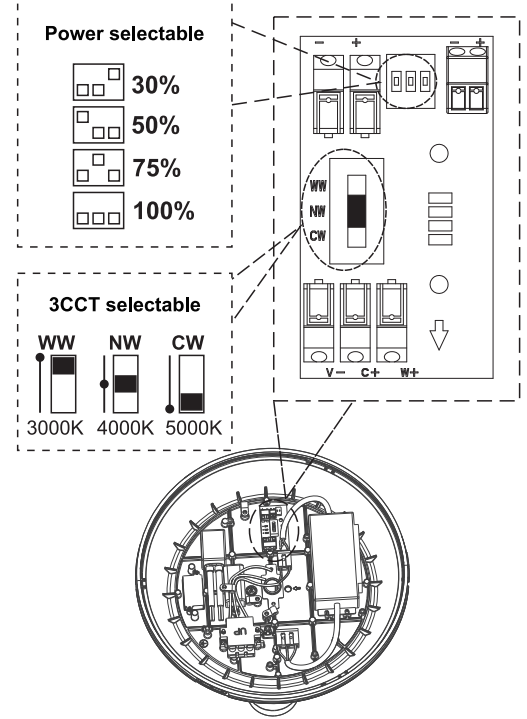


M4x25,
3 PCS
1.2Nm!

2.



3.

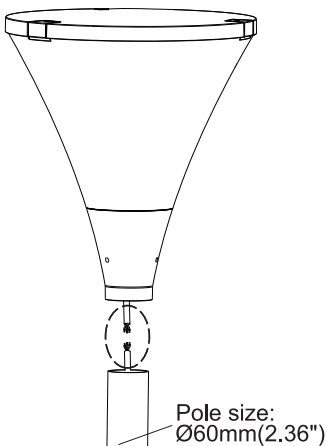


INSTALLATION

WARNING

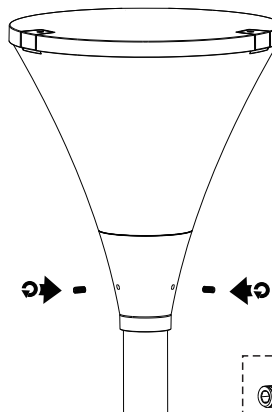
Risk of injury or damage. Make certain power is OFF before installing or maintaining fixture.

1.



Pole size:
Ø60mm(2.36")

2.



M8
3 PCS
8 Nm

3.

Photocell version

