



AKT LED Wall Pack



PRODUCT DESCRIPTION

The AKT LED wall pack features cutoff distribution, die-cast aluminum housing with integrated heat sink for superior heat dissipation, and options for Emergency back-up, photocontrol, and sensor. Lumen ranges from 1500lm to 14400lm make this an ideal option for landscape, wall/surface, low level pathway, apartment buildings, schools, and multi-use facilities.

FEATURES

- Cutoff distribution design
- Lumen ranges from 1500lm to 14400lm
- Emergency back up, photocontrol and sensor available as option

ELECTRICAL SYSTEM

- Input voltage: 120-277V
- 50/60Hz
- Power Factor: >0.9
- Total Harmonic Distortion: <20% at full load
- Working Temperature: -13 - 104°F (-40 - 40°C)
- 0-10V Dimming Standard

PERFORMANCE

CRI

70 is standard

80 is optional

CCT

3000K, 4000K

Projected Lifetime

L70 -100,000 Hours

Working Temperature

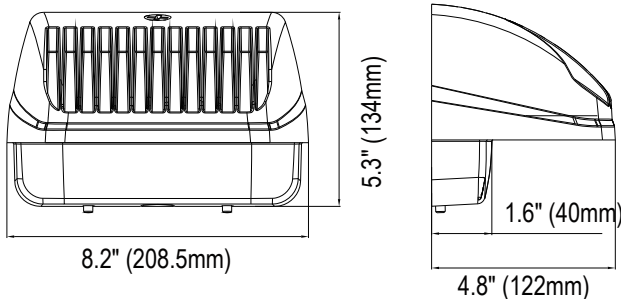
-40 - 104°F (-40 - 40°C)

Certifications

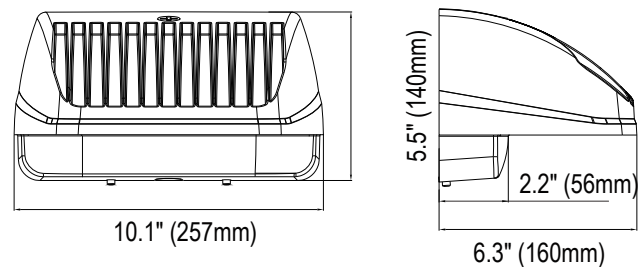
- cUL listed
- Suitable for wet locations
- RoHs compliant

DIMENSION

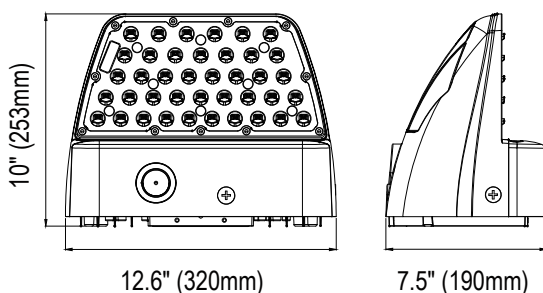
15W/20W/24W



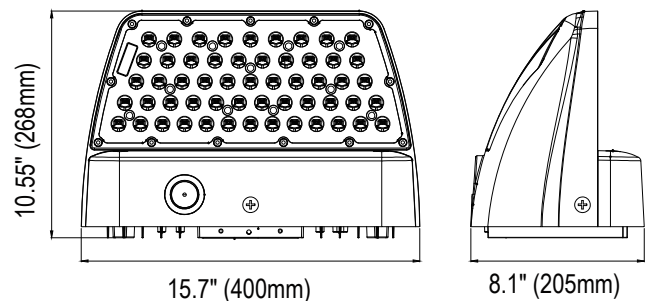
30W/42W



60W/80W



120W



Ordering Information

Example: AKT60401-III-BK

Name	Watts	- CCT	Voltage	- Control	- Distribution	- Finish
AKT	15 - 15W	60 - 60W	30 - 3000K	1-120-277V	Blank - None	III - Type III
	20 - 20W	80 - 80W	40 - 4000K		PC - Photocontrol	- BK - Black
	24 - 24W	120 - 120W			MS - PIR Sensor ¹	Optional
	30 - 30W				EBU - Emergency Battery Backup ²	BZ - Bronze
	42 - 42W					WH - White GY - Gray

Notice:

- PIR Sensor is not available for 15W, 20W and 24W. PIR Sensor kits is sold separately and field installed for 30W and 42W. PIR Sensor is pre-installed in the fixture for 60W, 80W and 120W. Mounting height is 40ft (12m) max.
- Emergency battery backup is not available for 15W/20W/24W. It is Emergency battery backup kits sold separately and field installed for 30W and 42W. The Emergency battery backup is built in the fixture housing for 60W/80W/120W. Ambient working temperature for Emergency battery backup is 32°F -95°F (0 °C -35°C).

* Black finish is standard. Custom color is available for a premium setup fee. Consult customer service for additional information.

Accessories (Ordered separately)



RC-100
Remote control for sensor



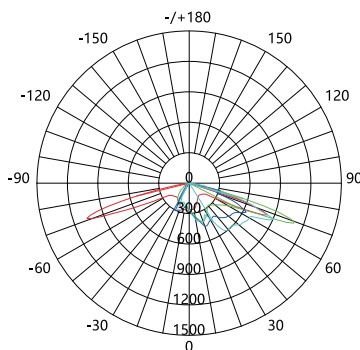
AKT30/42-MS-BK
PIR Sensor Kits for 30W and 42W

AKT30/42-EBU-BK
EBU Kits for 30W and 42W

AKT30/42-MS-EBU-BK
PIR Sensor and EBU Kits
for 30W and 42W

PHOTOMETRY

All published luminaire photo metric testing performed to IESNA LM-79-08 standards by a NVLAP certified laboratory.



PERFORMANCE DATA

LUMEN OUTPUT

Lumen values are measured by third party certified laboratories performed in accordance with IESNA LM-79-08 as well as Lighting Facts listed.

Nominal Watts	Lumen Output	AC Input 120V	CCT	CRI	LPW
15W	1500	0.13A	4000K	>70	100
20W	2100	0.17A	4000K	>70	105
24W	2640	0.20A	4000K	>70	110
30W	3400	0.25A	4000K	>70	113
42W	4800	0.35A	4000K	>70	114
60W	7200	0.50A	4000K	>70	120
80W	9600	0.67A	4000K	>70	120
120W	14400	1.00A	4000K	>70	120

PIR DIMMING SENSOR SETTING (S618-P-DR-LS2)

Sensor data can be precisely set for each specific application by a remote controller which need to be bought separately.

	1	2	
	↓	↓	20%
	↓	↑	50%
	↑	↓	75%
	↑	↑	100%

Sensitivity

Sensitivity can be reduced by selecting the combination on the DIP switches to fit precisely each application .

Default Setting: 100%

	3	4	
	↓	↓	10 S
	↓	↑	1 Min
	↑	↓	5 Min
	↑	↑	10 Min

Hold time

Refers to the time period the lamp remains at 100% illumination after no motion detected.

Default Setting: 1min

	5	6	
	↓	↓	☀
	↓	↑	10 Lux
	↑	↓	30 Lux
	↑	↑	50 Lux

Daylight sensor

The sensor can be set to only allow the lamp to illuminate below a defined ambient brightness threshold.

Default Setting: 30lux

	7	8	
	↓	↓	0%
	↓	↑	10%
	↑	↓	30%
	↑	↑	50%

Stand-by dimming level

The low light level you would like to have after the hold time in the long absence of people.

Default Setting: 30%

	9	10	
	↓	↓	+ ∞
	↓	↑	1 Min
	↑	↓	30 Min
	↑	↑	60 Min

Stand-by time

Refers to the time period the lamp remains at a low light level before it completely switches off in the long absence of people. When set to " +∞ " mode, the low light is maintained until motion is detected

Default Setting: +∞

BUG Rating

Performed to IESNA LM-79-08 standards by a NVLAP accredited laboratory

Model	BUG Rating	Model	BUG Rating
AKT20401-III	B1-U1-G1	AKT42401-III	B1-U1-G2
AKT24401-III	B1-U1-G1	AKT60401-III	B1-U1-G3
AKT30401-III	B1-U1-G2	AKT80401-III	B2-U2-G3

WARRANTY

Five year limited warranty.

Note: Specifications subject to change without notice.