



# BOON LED CANOPY LIGHT



## PRODUCT DESCRIPTION

The Boon led canopy has an elegant and compact design. Aluminum alloy housing and polycarbonate optical lens. It is well designed for superior illumination performance in exterior ceiling mount and canopy applications. 3000/4000/5000K selectable and power selectable. The Boon has uplight as standard, which effectively reduces "cave" effect. Plug-and-play sensor is available to reduce energy demand and cost.

## FEATURE

- Wattage and CCT selectable
- Up to 164lm/W
- Uplight is standard, reduces cave effect
- Plug-and-play sensor available
- Surface and pendant stem mount
- IP65, IK08 rated

## ELECTRICAL SYSTEM

- Input Voltage: 120-347V
- 50/60Hz
- Power Factor: > 0.9 at full load
- Total Harmonic Distortion: < 20% at full load

## PERFORMANCE

### CRI

70 is standard; 80 is optional

### CCT

3000K, 4000K, 5000K

### Dimming

0-10V Dimming Driver

**Note:** Dimming wire is connected to sensor receptacle. Please ask an electrician to disconnect the dimming wires if they need to be used for other purposes.

### Projected Lifetime

L70 - 153,000 Hours

### Working Temperature

-22°F-104°F (-30°C-40°C)

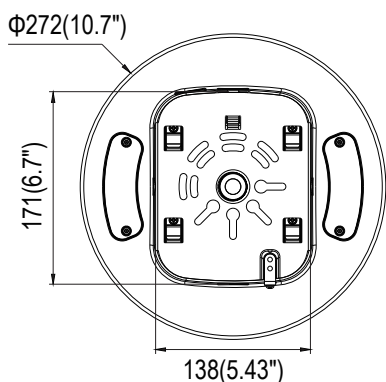
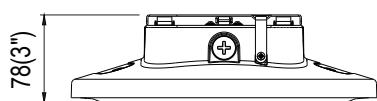
### Certifications

- cETL Listed
- IP65 rated
- IK08 rated
- RoHS compliant

## SPECIFICATION

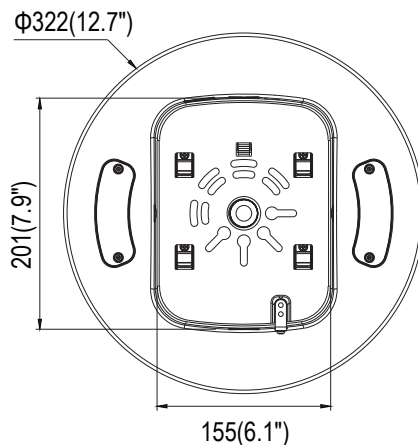
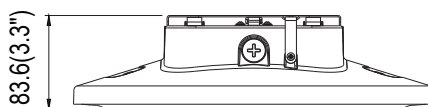
### 60W selectable

Luminaire Net Weight (kg/lbs): 2.1/4.63



### 100W Selectable

Luminaire Net Weight (kg/lbs): 2.6/5.73



## Ordering Information

### Example: BOCAN-60SP-SW8-WH

Series	Watts	CCT	Voltage	Controls	Finish
<b>BOCAN</b>	<b>60SP</b> -60W/45W/ 30W/18W selectable <sup>1</sup>	<b>SW</b> - 3000K/4000K 5000K Selectable <sup>3</sup>	<b>1</b> - 120-277V <b>8</b> - 120-347V	<b>Blank</b> - with sensor receptacle	<b>WH</b> - White (RAL9016)*
	<b>100SP</b> -100W/75W/ 50W/30W selectable <sup>2</sup>				

**Notice:**

1. 60W is default setting.
2. 100W is default setting.
3. 4000K is default setting.

\* White finish is standard. Custom color is available for a premium setup fee. Consult customer service for additional information.

## Accessories (Ordered separately & field installed)



**HD06VCRH 3**  
Microwave  
Dimming Sensor



**HN074-01VRPH**  
PIR Sensor



**HD05R**  
Remote control for sensor

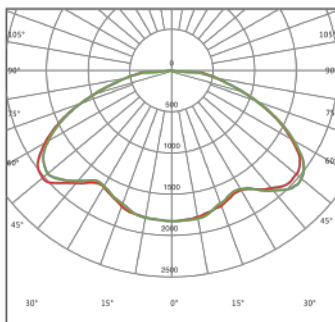
**Notes:**

1. PIR / microwave sensor intended for 40, 60, 80, 100W with 100% power output only.
2. Mounting height of 12m/39.4ft Max is for microwave and PIR motion sensor.

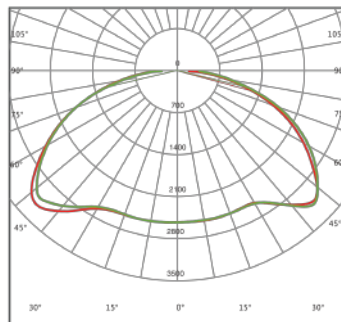
## PHOTOMETRY

All published luminaire photometric testing performed to IESNA LM-79-08 standards by a NVLAP certified laboratory.

**60W selectable**



**100W Selectable**



# PERFORMANCE DATA

## LUMEN OUTPUT

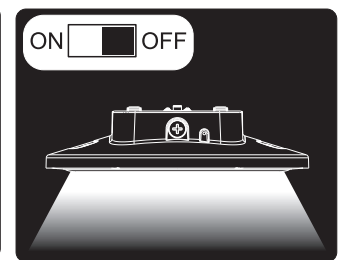
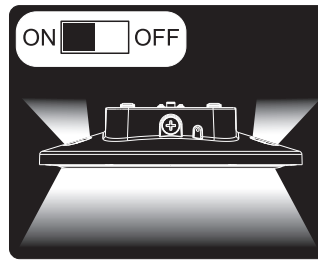
Lumen values are measured by third party certified laboratories performed in accordance with IESNA LM-79-08 as well as Lighting Facts listed.

Nominal Watts	Lumen Output	CCT	CRI	LPW
60W	9800	4000K	70	<b>164</b>
100W	16000	4000K	70	<b>162</b>

\* Multiplier 0.9 is for 3000K; Multiplier 0.92 is for 5000K.

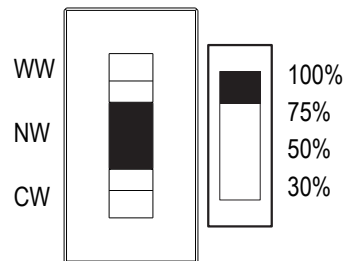


**1** Uplight is standard, reduces cave effect



**2** Wattage and CCT selectable

**3** Plug-and-play sensor



**Surface Mount**



**3/4" NPT Pendant Stem Mount**

## MICROWAVE DIMMING SENSOR SETTING(HD06VCRH 3)

Sensor data can be precisely set for each specific application by a remote controller which need to be bought separately.

### Detection area

Detection area can be reduced by selecting the combination on the remote controller to fit precisely each application.

Optional Setting: 100%/75%/50%/25%

**Default Setting: 100%**

### Hold time

Refers to the time period the lamp remains at 100% illumination after no motion detected.

Optional Setting: 5S/30S/1min/3min/5min/10min/20min/30min

**Default Setting: 20min**

### Stand-by period

Refers to the time period the lamp remains at a low light level before it completely switches off in the long absence of people. When set to “+∞” mode, the low light is maintained until motion is detected.

Optional Setting: 0S/10S/30S/1min/5min/10min/30min/+∞

**Default Setting: +∞**

Notes: If just need ON/OFF function, please set the stand-by period in “0S” mode by the remote controller.

### Daylight sensor

The sensor can be set to only allow the lamp to illuminate below a defined ambient brightness threshold. When set to Disable mode, the daylight sensor will switch on the lamp when motion is detected regardless of ambient light level. 50lux, 30lux: twilight operation, 10lux, 5lux: darkness operation only. Note that daylight sensor is active only when lamp totally switches off.

Optional Setting: 2Lux/10Lux/30Lux/50Lux/80Lux/120Lux/Disable

**Default Setting: Disable**

### Stand-by dimming level

The low light level you would like to have after the hold time in the long absence of people.

Optional Setting: 10%/20%/30%/50%

**Default Setting: 50%**

## Warranty

Five year limited warranty.

## Note:

Specifications subject to change without notice.