



## CONE LED POST TOP



### PRODUCT DESCRIPTION

The Cone LED Post Top is supplied with a cast aluminum roof which includes optimized heat sinks, maximizing the life and performance of the LED light sources. Optical design, greatly improves the light efficiency and uniformity. It can be widely used for outdoor lighting applications such as landscape, courtyards, roadways.

### FEATURE

- Classic acorn-shaped post top
- Efficiency up to 140LPW
- No shadows from the brackets
- 10KA surge suppression protection
- IP65 rating

### ELECTRICAL SYSTEM

- Input Voltage: 120-277VAC, 50/60Hz
- 1-10V dimming
- Operating temperature range: -22-104 °F (-30-40 °C)
- Power Factor: > 0.87
- Total Harmonic Distortion: < 20% at full load
- Integral 10KA surge suppression protection

### SPECIFICATION

Effective Projected Area (EPA): 2.3ft<sup>2</sup>

Net Weight for 60W: 12.4lbs

Net Weight for 100W: 14.2lbs

### PERFORMANCE

CRI

**70 is standard**

**80 is optional**

CCT

**3000K, 4000K, 5000K**

Projected Lifetime

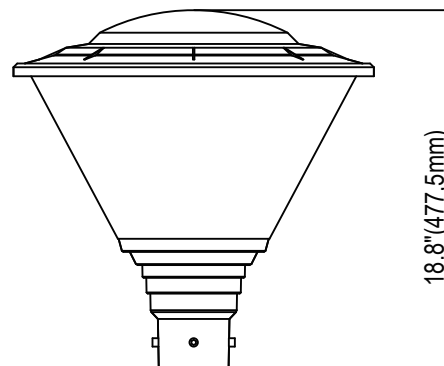
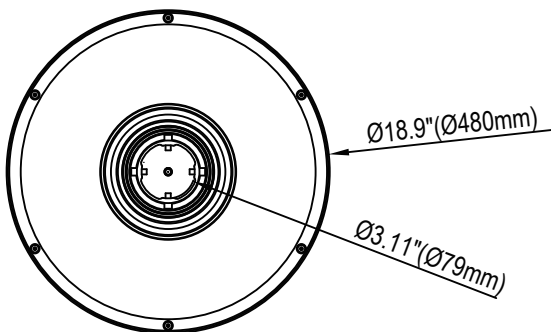
**L70 - 100,000 Hours**

Working Temperature

**-22-104°F (-30-40°C)**

Certifications

- cUL Listed
- IP65 rated
- RoHS compliant



## Ordering Information

Example: CPT60401-V-BK

Name	Watts	CCT	Voltage	- Control	- Installation	- Distribution	- Finish
CPT	60- 60W 100- 100W	30- 3000K 40- 4000K 50- 5000K	1-120-277V	- Blank - None MSW - Microwave Motion Sensor <sup>1</sup>	- Blank- 2 3/8" to 3" Tenon Pole	- V - Type V	- BK - Black

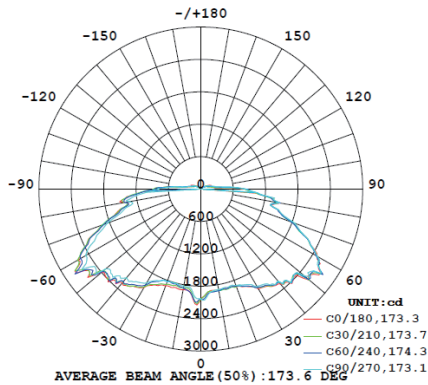
Notice:

- Motion Sensor is for 120-277V only and recommended for a maximum mounting height of 20ft (6m). Default "stand-by" dimming level is 30% and none Cut Off. Besides, daylight sensor default setting is disable. The RC-100 Remote Control can operate all sensor functions. Please refer to more sensor setting details on the next page.

\* Black finish is standard. Additional charges will apply for all the other colors. Please contact customer service for premium adder.

## PHOTOMETRY

All published luminaire photometric testing performed to IESNA LM-79-08 standards by a NVLAP certified laboratory.



Type V

## PERFORMANCE DATA

### LUMEN OUTPUT

Lumen values are measured by third party certified laboratories performed in accordance with IESNA LM-79-08 as well as Lighting Facts listed.

Nominal Watts	Measured Watts	Lumen Output	CCT	Dist. Type	CRI	LPW
60W	57W	8000lm	5000K	Type V	>70	140
100W	97W	13200lm	5000K	Type V	>70	136

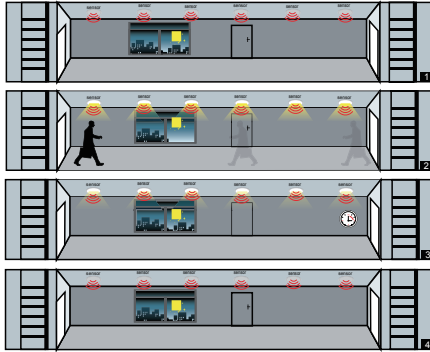
## BUG Rating

Performed to IESNA LM-79-08 standards by a NVLAP accredited laboratory.

Model	BUG Rating
CPT60401-V	B3-U3-G3
CPT60501-V	B3-U3-G3
CPT100401-V	B3-U4-G4
CPT100501-V	B3-U3-G4

## PIR DIMMING SENSOR FUNCTION

The sensor is an innovative motion sensor, switch on the light on detection of movement, and switch off after a hold time when there is no motion detected.



1. No motion detected, all lamps switch off.
2. Any movement is detected from any direction, all lamps synchronously switch on.
3. No motion is detected in detection area, all lamps synchronously dim to a low light level after hold time.
4. After stand-by period, the lamps switch off if no movement is detected in the detection zone.

Note: if you choose STAND-BY DIM is 0, the stand-by period is 0, it is ON/OFF function.

## PIR DIMMING SENSOR SETTING DBI810-B-M10 (120-277V)

By selecting the combination on the DIP switch, sensor data can be precisely set for each specific application. The sensor setting also can be done by a remote control (RC-100) which need to be bought separately.

	1	2	
I	↓	↓	20%
II	↓	↑	50%
III	↑	↓	75%
IV	↑	↑	100%

### Sensitivity

Sensitivity can be reduced by selecting the combination on the DIP switches to fit precisely each application .


**Default Setting: 100%**

	3	4	
I	↓	↓	10 S
II	↓	↑	1 Min
III	↑	↓	5 Min
IV	↑	↑	15 Min

### Hold time

Refers to the time period the lamp remains at 100% illumination after no motion detected.

**Default Setting: 5min**

	5	6	
I	↓	↓	
II	↓	↑	10 Lux
III	↑	↓	30 Lux
IV	↑	↑	50 Lux

### Daylight sensor

The sensor can be set to only allow the lamp to illuminate below a defined ambient brightness threshold.

**Default Setting: Disable** 

	7	8	
I	↓	↓	0%
II	↓	↑	10%
III	↑	↓	30%
IV	↑	↑	50%

### Stand-by dimming level

The low light level you would like to have after the hold time in the long absence of people.

**Default Setting: 30%**

	9	10	
I	↓	↓	+ ∞
II	↓	↑	1 Min
III	↑	↓	30 Min
IV	↑	↑	60 Min

### Stand-by time

Refers to the time period the lamp remains at a low light level before it completely switches off in the long absence of people. When set to " + ∞ " mode, the low light is maintained until motion is detected

**Default Setting: +∞**

## Warranty

Five year limited warranty. Full warranty terms located at [www.abovealllighting.com/warrantystatements/](http://www.abovealllighting.com/warrantystatements/)

Specifications subject to change without notice.