



## GRA LED WALL PACK



## PRODUCT DESCRIPTION

The GRA selectable dark sky wall pack features cutoff distribution in traditional appearance. Die-cast aluminum housing with integrated heat sink for superior heat dissipation, and options for Emergency back-up, photocontrol, and sensor. It is an ideal option for landscape, wall/ surface, low level pathway, apartment buildings, schools, and multi-use facilities.

## FEATURES

- Wattage selectable
- CCT selectable
- Cutoff distribution design
- Lumen ranges from 1800lm to 8000lm
- Emergency back up, photocontrol and sensor available

## ELECTRICAL SYSTEM

- Input voltage: 120-277V
- 50/60Hz
- Power Factor: >0.9
- Total Harmonic Distortion: <20% at full load

## PERFORMANCE

### CRI

**70 is standard**

**80 is optional**

### CCT

**3000K, 4000K, 5000K**

### Projected Lifetime

**L70 -100,000 Hours**

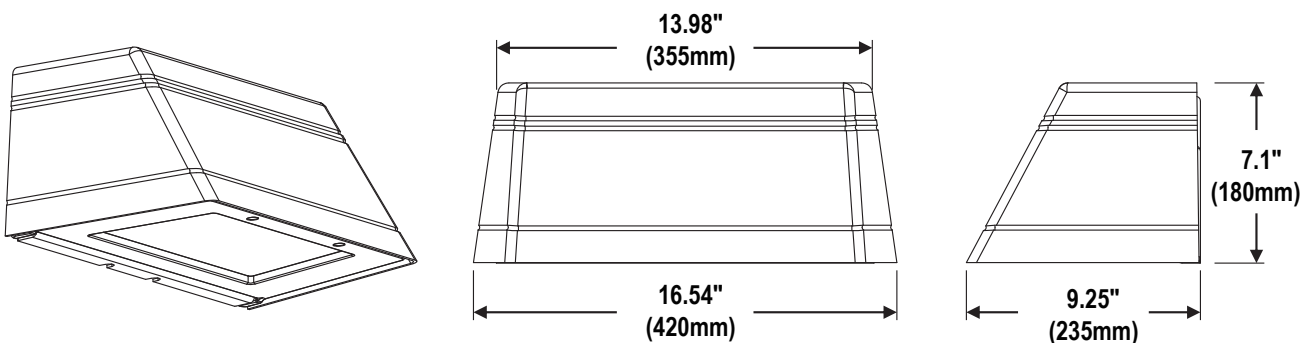
### Working Temperature

**-40 - 104°F (-40 - 40°C)**

### Certifications

- cUL listed
- Suitable for wet locations
- RoHs compliant

## DIMENSION



## Ordering Information

### Example: GRA-SP401-FT

Ref#: 20240112

| Name | Watts   | CCT        | Voltage    | - Control                                      | - Distribution     | - Finish       |
|------|---|------------|------------|--|--------------------|----------------|
| GRA  | SP - 15W/30W<br>/50W/70W<br>selectable <sup>1</sup> | 30 - 3000K | 1-120-277V | Blank - None                                   | FT - Forward Throw | Blank - Bronze |
|      |   | 40 - 4000K |            | PC - Photocontrol                              |                    |                |
|      |   | 50 - 5000K |            | MS - PIR Sensor <sup>2</sup>                   |                    |                |
|      |   |            |            | EBU - Emergency<br>Battery Backup <sup>3</sup> |                    |                |

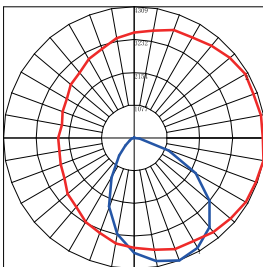
#### Notice:

- 70W is default setting.
- Mounting height is 40ft (12m) max. Please check the last page for more sensor setting information.
- Ambient working temperature for Emergency battery backup is 32°F -104°F (0 °C -40°C).

\* Bronze finish is standard. Additional charges will apply for all the other colors. Please contact customer service for premium adder.

## PHOTOMETRY

All published luminaire photo metric testing performed to IESNA LM-79-08 standards by a NVLAP certified laboratory.



## PERFORMANCE DATA

### LUMEN OUTPUT

Lumen values are measured by third party certified laboratories performed in accordance with IESNA LM-79-08 as well as Lighting Facts listed.

| Nominal Watts | Tested Watts | Lumen Output | AC Input 120V | CCT   | CRI | LPW |
|---------------|--------------|--------------|---------------|-------|-----|-----|
| 15W           | 18W          | 1800         | 0.13A         | 4000K | >70 | 120 |
| 30W           | 33W          | 3600         | 0.25A         | 4000K | >70 | 120 |
| 50W           | 49W          | 6000         | 0.42A         | 4000K | >70 | 120 |
| 70W           | 68W          | 8100         | 0.60A         | 4000K | >70 | 123 |

## WARRANTY

Five year limited warranty.

**Note:** Specifications subject to change without notice.