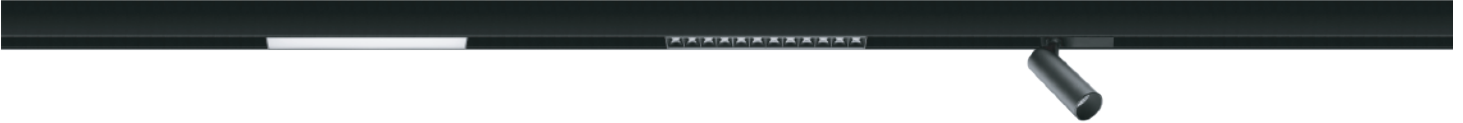


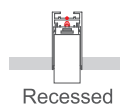
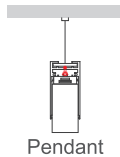
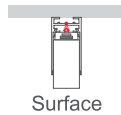
# MAG SERIES

## STRAIGHT MAGNETIC TRACK SYSTEM



The ultimate in modern aesthetics. It isn't just about track rail, it's also about creating unique lighting configurations. Thanks to different types of corners, the geometrical possibilities really are endless. Even after installation, the MAG magnetic track rails mean you can change the lighting configuration whenever and however you want.

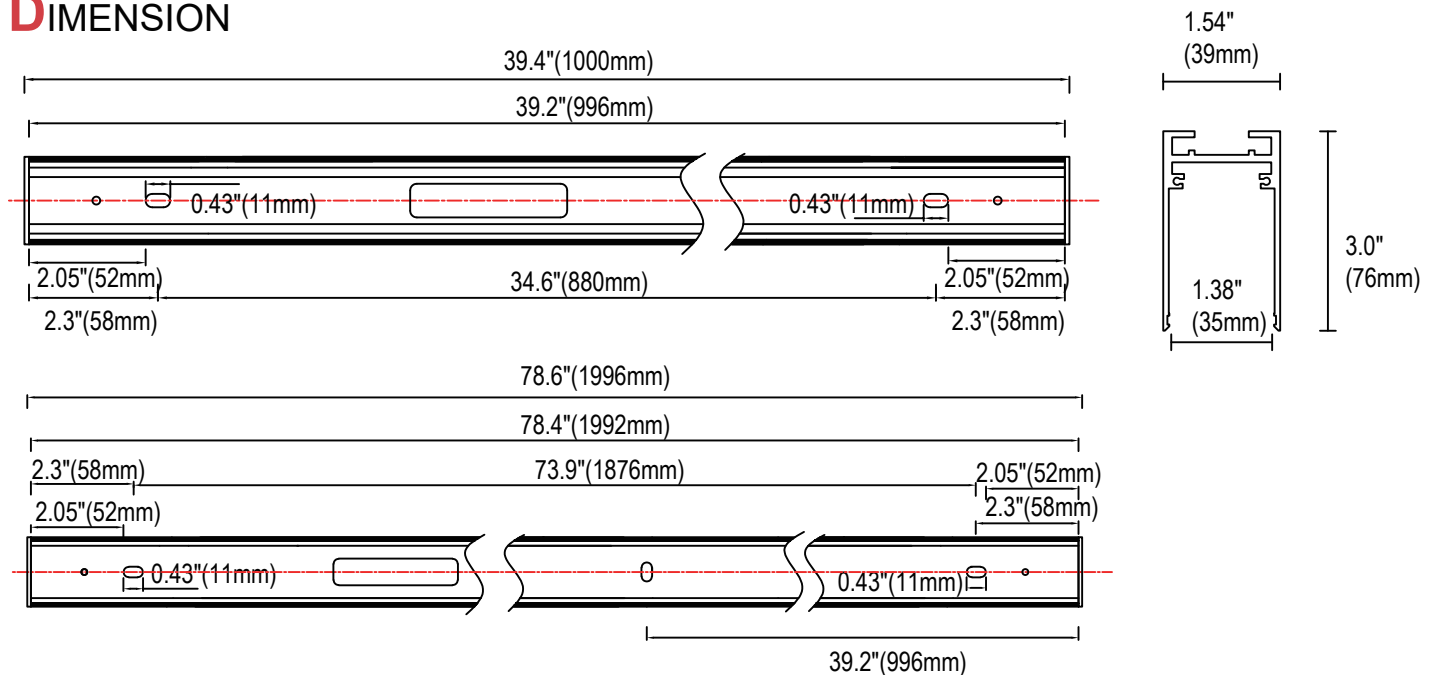
### MAGNETIC TRACK PROFILE



### GENERAL SPECIFICATION

Material	Aluminum
Color	RAL9004 Black/RAL 9003 White
Input Voltage	24Vdc
Input Current	8A Max

### DIMENSION



## PACKAGE INFORMATION

Item	Qty/Ctn(pcs)	N.W/Ctn(kgs)	G.W/Ctn(kgs)	L*W*H(cm)
1 Meter profile	6	10.8	12	105*21*20.5
2 Meter profile	6	21.6	23.5	205*21*20.5
3 Meter profile	3	16.2	18	305*21*11.5

## Ordering Information

Example: MTS1M-24V-BK

Series	Length <sup>1</sup>	- Voltage	Installation	- Frame Finish
MTS -Magnetic Track Profile	1M -39"	- 24V-24Vdc <sup>2</sup>	<b>Need to order and ship separately<sup>3</sup></b>	- <b>BK</b> -Black <sup>4</sup>
	2M -79"		PMK -Pendant Mount Kits	Optional
	3M -118"		SMK- Surface Mount Kits	<b>WH</b> -White <sup>4</sup>
			RMK- Recessed Mount Kits	

Notice:

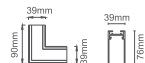
1. Custom track length is optional. If for special track length and pattern demand, please contact Customer Service. Continuous run mount can't exceed 50 meters, otherwise voltage drop will occur.
2. 24V constant voltage LED drivers can be chosen in the following driver list or supplied by customer. The total fixture wattages can't exceed 300W.
3. Different mounting kits need to be bought separately. Please check the details in the following accessory list.
4. Black finish is standard. Custom color is available for a premium setup fee. Consult customer service for additional information.

## ACCESSORIES (ORDER AND SHIP SEPARATELY)

### CORNER

#### L Corner

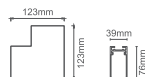
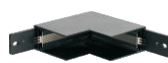
■ Sandy Black □ Sandy White



MTS-LC-BK

#### Inner Corner

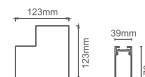
■ Sandy Black □ Sandy White



MTS-IC-BK

#### Outer Corner

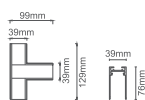
■ Sandy Black □ Sandy White



MTS-OC-BK

#### T corner

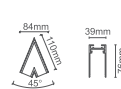
■ Sandy Black □ Sandy White



MTS-TC-BK

#### 45D corner

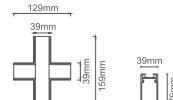
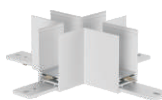
■ Sandy Black □ Sandy White



MTS-VC-BK

#### CROSS corner

■ Sandy Black □ Sandy White



MTS-CC-BK

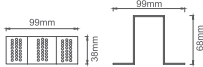
## MOUNTING

### Recessed kit

Sandy Black
  Sandy White



Recess mounting kit for magnetic track.



**MTS-RM-BK**

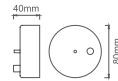
\* 2 pieces per set.

### Pendant kit-A

Sandy Black
  Sandy White



Suspension 1.2meters with electrical wire (1 pc).



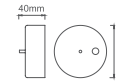
**MTS-PM-A-BK**

### Pendant kit-B

Sandy Black
  Sandy White



Suspension 1.2meters(1pc).



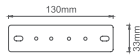
**MTS-PM-B-BK**

### Track connector

Sandy Black
  Sandy White



Profile connection.



**MTS-CNCT-BK**

\* The track connector must be worked together with power plate

### Power plate 65mm

Sandy Black
  Sandy White



Electric connection, with 2 pins.



**MTS-PP-65-BK**

### Surface Mount Kits

Sandy Black
  Sandy White



**MTS-SM-BK**

Surface mounted for magnetic track, includes 4pcs

### Track cover

Sandy Black
  Sandy White



Track cover 1 meter



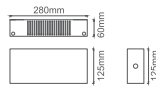
**MTS-COVER-BK**

### Driver box

Sandy Black
  Sandy White



Empty box.



**MTS-DBOX-BK**

### Track bridge

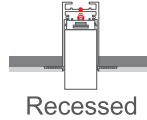
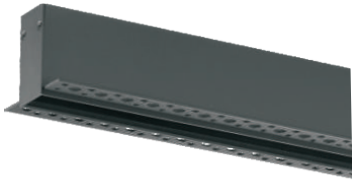
Sandy Black
  Sandy White



Current:Max 8A,  
Power:Max 200W

**MTS-TB-BK**

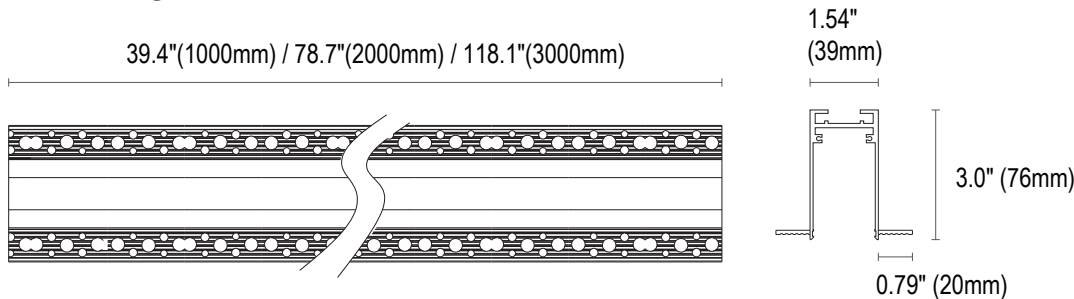
## MAGNETIC TRACK PROFILE RECESSED WITH FLANGE



### GENERAL SPECIFICATION

Material	Aluminum
Color	RAL9004 Black/RAL 9003 White
Input Voltage	24Vdc
Input Current	8A Max

### DIMENSION



### PACKAGE INFORMATION

Item	Qty/Ctn(pcs)	N.W/Ctn(kgs)	G.W/Ctn(kgs)	L*W*H(cm)
1 Meter profile	6	11.7	12.6	105*36*22
2 Meter profile	6	23.4	24.1	205*36*22
3 Meter profile	3	17.4	19.2	305*36*12

### Ordering Information

Example: MTS-RF-1M-24V-BK

Series	Length <sup>1</sup>	- Voltage	Installation	- Frame Finish
MTS-RF -Magnetic Track Profile Recessed with Flange	1M -39"	- 24V-24Vdc <sup>2</sup>	Blank - Recessed with flange	- BK -Black <sup>3</sup>
	2M -79"			Optional
	3M -118"			WH -White <sup>3</sup>

Notice:

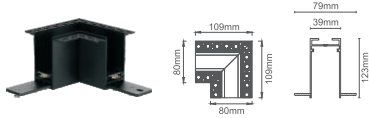
1. Custom track length is optional. If for special track length and pattern demand, please contact Customer Service. Continuous run mount can't exceed 50 meters, otherwise voltage drop will occur.
2. 24V constant voltage LED drivers can be chosen in the following driver list or supplied by customer. The total fixture wattages can't exceed 300W.
3. Black finish is standard. Custom color is available for a premium setup fee. Consult customer service for additional information.

## ACCESSORIES (ORDER AND SHIP SEPARATELY)

### CORNER

#### L Corner

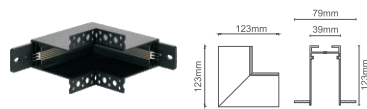
■ Sandy Black □ Sandy White



MTS-RF-LC-BK

#### Inner Corner

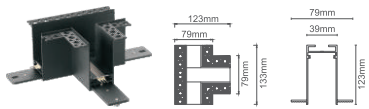
■ Sandy Black □ Sandy White



MTS-RF-IC-BK

#### T Corner

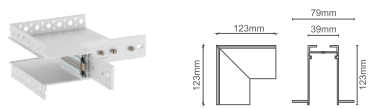
■ Sandy Black □ Sandy White



MTS-RF-TC-BK

#### Outer Corner

■ Sandy Black □ Sandy White



MTS-RF-OC-BK

### MOUNTING

#### Track connector

■ Sandy Black □ Sandy White



MTS-CNCT-BK

#### Track cover

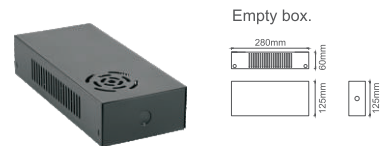
■ Sandy Black □ Sandy White



MTS-RF-COVER-BK

#### Driver box

■ Sandy Black □ Sandy White



MTS-DBOX-BK

#### Track bridge

■ Sandy Black □ Sandy White



Current:Max 8A,Power:Max 200W

MTS-TB-BK

## CONSTANT VOLTAGE LED DRIVER LIST (ORDER AND SHIP SEPARATELY)

### NON-DIMMABLE LED DRIVER

75W



**XLG-75-24-A**

75W, non-dimmable  
 Size: 180x63x35.5mm  
 input voltage: AC100-305V,  
 output voltage: 24V DC

100W



**XLG-100-24-A**

100W, non-dimmable  
 Size: 180x63x35.5mm  
 input voltage: AC100-305V,  
 output voltage: 24V DC

150W



**XLG-150-24-A**

150W, non-dimmable  
 Size: 180x63x35.5mm  
 input voltage: AC100-305V,  
 output voltage: 24V DC

200W



**XLG-200-24-A**

200W, non-dimmable  
 Size: 180x63x35.5mm  
 input voltage: AC100-305V,  
 output voltage: 24V DC

### 5 IN 1 DIMMABLE LED DRIVER

80W



**KVG-24080-DWJ**

80W, Triac/0-10V/1-10V/10V PWM  
 input voltage: 120-277V  
 output voltage: 24V DC

100W



**KVG-24100-DWJ**

100W, Triac/0-10V/1-10V/10V PWM  
 input voltage: 120-277V  
 output voltage: 24V DC

150W



**KVG-24150-DWJ**

150W, Triac/0-10V/1-10V/10V PWM  
 input voltage: 120-277V  
 output voltage: 24V DC

200W



**KVG-24200-DWJ**

200W, Triac/0-10V/1-10V/10V PWM  
 input voltage: 120-277V  
 output voltage: 24V DC

300W



**KVG-24300-DWJ**

300W, Triac/0-10V/1-10V/10V PWM  
 input voltage: 120-277V  
 output voltage: 24V DC

### DALI INTELLIGENT LED DRIVER

100W



**LM-100-24-G1D2**

100W, DALI-2, Push DIM  
 Size: 352x43x30mm(LxWxH)  
 input voltage: AC120-277V,  
 output voltage: 24V DC

# DOT SERIES MAGNETIC TRACK LIGHT

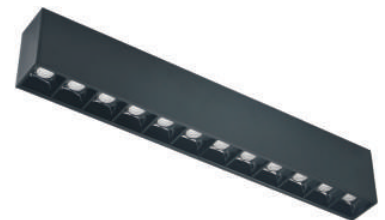
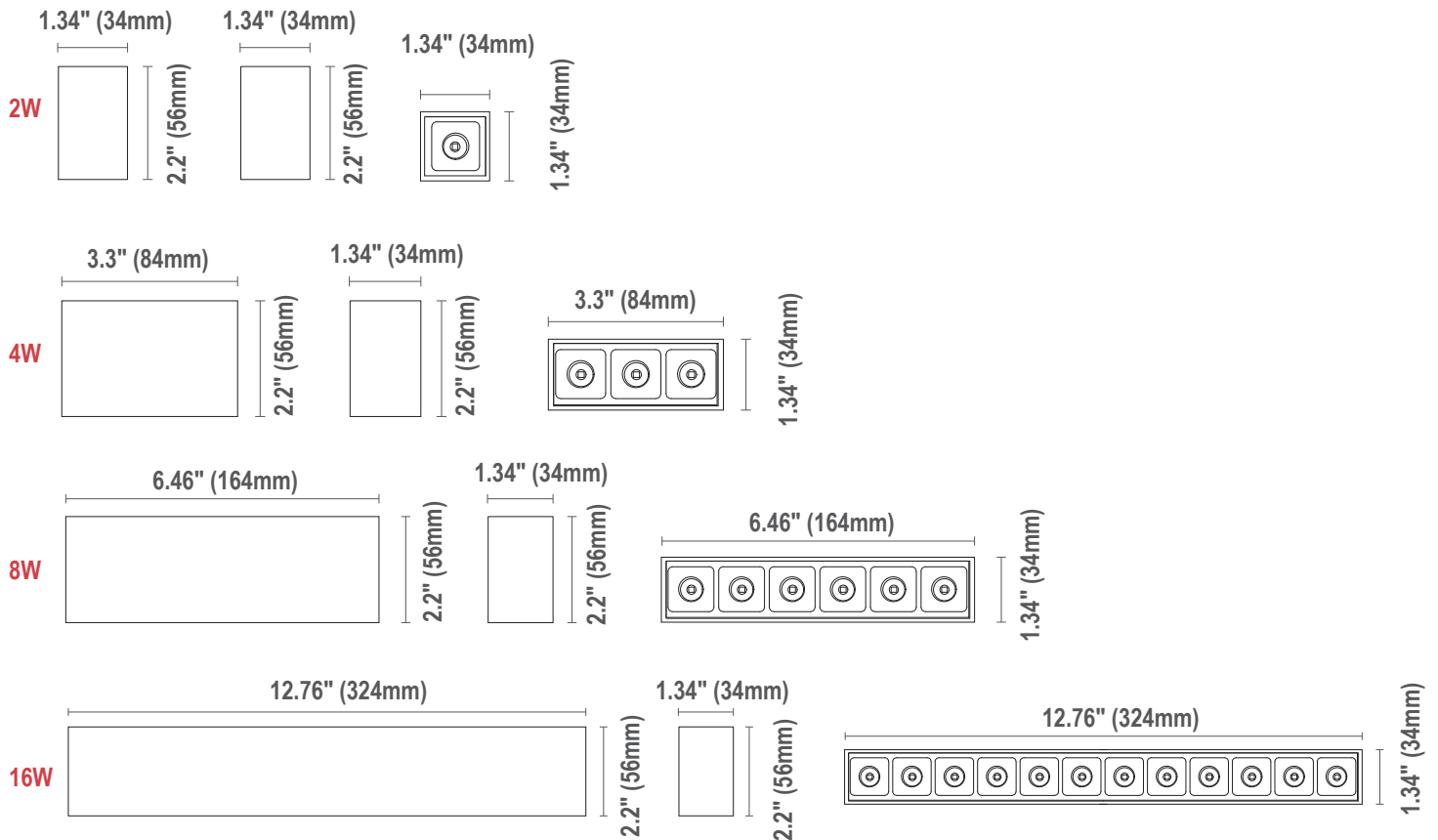
## GENERAL SPECIFICATION

The dot series is ideal for spot lighting. This design features a deep antiglare spot lens that allows for multiple beam angles, and is available in different wattages and lengths with elegant clean body



Beam angle: 12/34/48°  
CCT: 2700K/3000K/4000K  
CRI: RA90  
DIM: Triac, 0/1-10V,  
Installation: Magnetic  
Environment: Indoor

## DIMENSION



## Ordering Information

Example: DOT04-3090-24V-34-MTM-BK

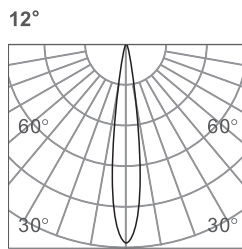
Series	Watts	. CCT&CRI	. Voltage	Beam Angle	Installation	- Finish
DOT	02 - 2W/ 1.34"	2790 - 2700K 90Ra	24V-24Vdc <sup>1</sup>	12 - 12 degree	MTM - Magnetic Track Mount	BK -Black <sup>2</sup>
	04 - 4W/ 3.3"	3090 - 3000K 90Ra		34 - 34 degree		
	08 - 8W/ 6.46"	4090 - 4000K 90Ra		48 - 48 degree		
	16 - 16W/ 12.76"					

Notice:

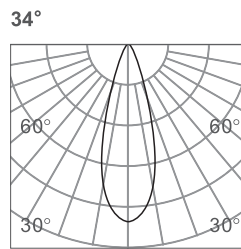
1. The fixture is used for 24V magnetic track system.
2. Standard Finish is black. Custom colors might be available for an additional fee. Please check with Customer Service for more information.

## PHOTOMETRY

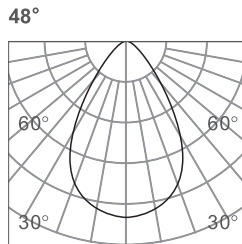
All published luminaire photometric testing performed to IESNA LM-79-08 standards by a NVLAP certified laboratory.



h(m)	E(lx)	Φ(m)
1	3693	Φ0.23
2	923	Φ0.47
3	410	Φ0.71
4	230	Φ0.94
5	147	Φ1.18



h(m)	E(lx)	Φ(m)
1	1238	Φ0.61
2	309	Φ1.22
3	137	Φ1.83
4	77	Φ2.44
5	49	Φ3.05



h(m)	E(lx)	Φ(m)
1	778	Φ0.91
2	194	Φ1.82
3	86	Φ2.73
4	48	Φ3.64
5	31	Φ4.55

## PERFORMANCE DATA

Lumen values are estimated with LED data sheet.

Watts	Lumen Output	CRI	Beam Angle	CCT	LPW
2	120	90	34°	3000K	60
4	380	90	34°	3000K	95
8	730	90	12°/34°/48°	3000K	92
16	1430	90	12°/34°/48°	3000K	89



# LIN SERIES MAGNETIC TRACK LIGHT

## GENERAL SPECIFICATION

The LIN series is a linear lighting solution designed to work with our Magnetic Track System. It features a low glare diffused lens and is available in several different wattage/ length combinations all housed in an elegant body.

CCT: 2700K/3000K/4000K

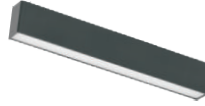
CRI: RA90

Lens: Diffused

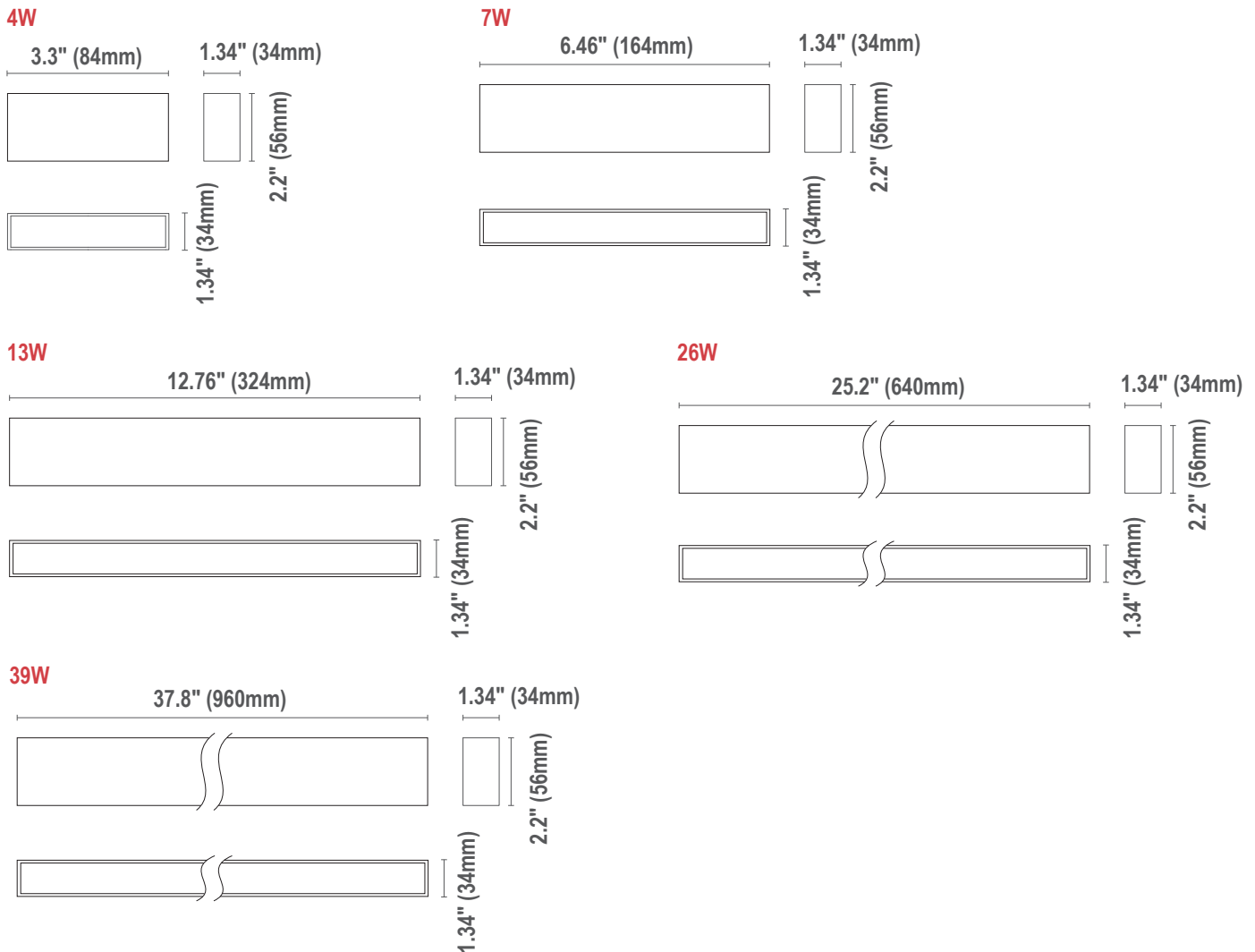
DIM: Triac,0/1-10V,

Installation: Magnetic

Environment: Indoor



## DIMENSION



## Ordering Information

Example: LIN04-3090-24V-DL-MTM-BK

Series	Watts	- CCT&CRI	- Voltage	Lens	Installation	- Finish
LIN	04 - 4W/3.3"	2790 - 2700K 90Ra	24V-24Vdc <sup>1</sup>	DL - Diffused Lens	MTM - Magnetic Track Mount	BK -Black <sup>2</sup>
	07 - 07W/6.46"	3090 - 3000K 90Ra				
	13 - 13W/12.76"	4090 - 4000K 90Ra				
	26 - 26W/25.2"					
	39 - 39W/37.8"					

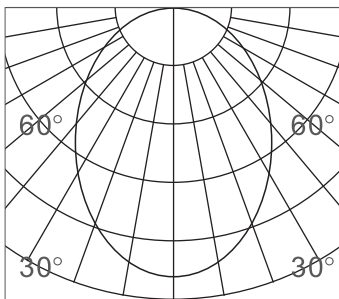
Notice:

1. The fixture is used for 24V magnetic track system.
2. Standard Finish is black. Custom colors might be available for an additional fee. Please check with Customer Service for more information.

## PHOTOMETRY

All published luminaire photometric testing performed to IESNA LM-79-08 standards by a NVLAP certified laboratory.

### Diffuse



h(m)	E(lx)	Φ(m)
1	105.5	Φ2.60
2	26.3	Φ5.20
3	11.7	Φ7.80
4	6.5	Φ10.40
5	4.2	Φ13.00

## PERFORMANCE DATA

Lumen values are estimated with LED data sheet.

Watts	Lumen Output	CRI	Lens	CCT	LPW
4	220	90	Diffused	3000K	50
7	490	90	Diffused	3000K	70
13	900	90	Diffused	3000K	69
26	1720	90	Diffused	3000K	66
39	2550	90	Diffused	3000K	65

## FOLD SERIES MAGNETIC TRACK LIGHT

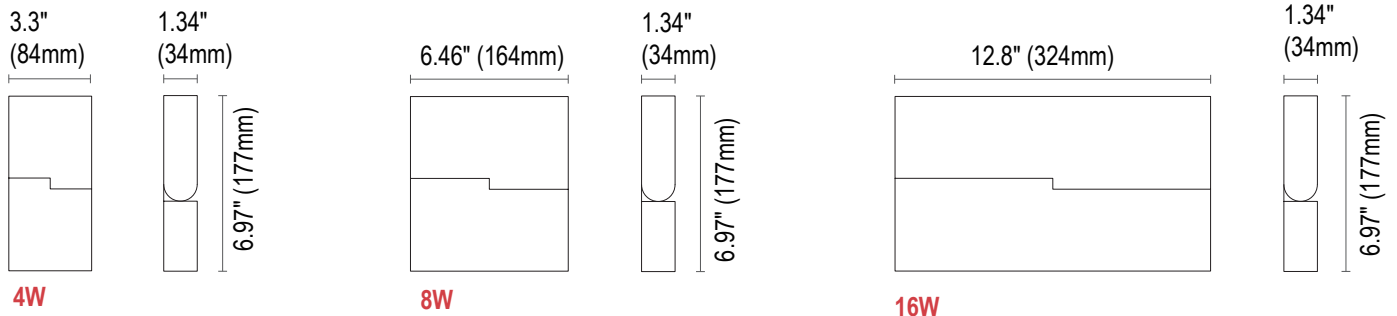
### GENERAL SPECIFICATION

The fold series can be used as a spotlight or a wall washer. The elegant design comes with either an antiglare spotlight lens which is available in several beam angles, or a soft diffused lens. The Fold series also features a adjustable head with 90° range of motion, and mounts on our 24V magnetic track system.



Beam angle: 12/34/48°  
CCT: 2700K/3000K/4000K  
CRI: RA90  
DIM: Triac,0/1-10V,  
Installation: Magnetic  
Environment: Indoor

### DIMENSION



### Ordering Information

Example: FOLD04-3090-24V-DL-MTM-BK

Series	Watts	- CCT&CRI	- Voltage	Lens	Installation	- Finish
FOLD	04 - 4W	- 2790 - 2700K 90Ra	- 24V-24Vdc <sup>1</sup>	12 - 12 degree	MTM - Magnetic Track Mount	- BK -Black <sup>2</sup>
	08 - 08W	3090 - 3000K 90Ra		34 - 34 degree		Optional
	16 - 16W	4090 - 4000K 90Ra		48 - 48 degree		WH -White <sup>2</sup>
				DL - Diffused Lens		

Notice:

1. The fixture is used for 24V magnetic track system.
2. Standard Finish is black. Custom colors might be available for an additional fee. Please check with Customer Service for more information.



**4W with Spot Lens**



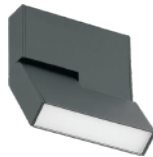
**8W with Spot Lens**



**16W with Spot Lens**



**4W with Diffused Lens**



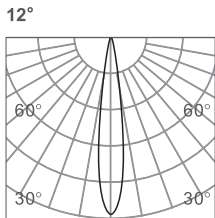
**8W with Diffused Lens**



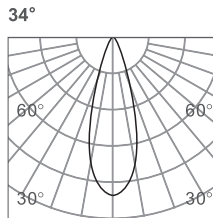
**16W with Diffused Lens**

## PHOTOMETRY

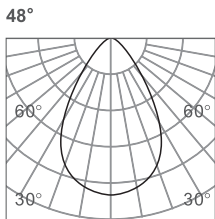
All published luminaire photometric testing performed to IESNA LM-79-08 standards by a NVLAP certified laboratory.



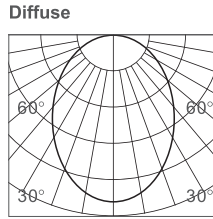
h(m)	E(lx)	Φ(m)
1	3693	Φ0.23
2	923	Φ0.47
3	410	Φ0.71
4	230	Φ0.94
5	147	Φ1.18



h(m)	E(lx)	Φ(m)
1	1238	Φ0.61
2	309	Φ1.22
3	137	Φ1.83
4	77	Φ2.44
5	49	Φ3.05



h(m)	E(lx)	Φ(m)
1	778	Φ0.91
2	194	Φ1.82
3	86	Φ2.73
4	48	Φ3.64
5	31	Φ4.55



h(m)	E(lx)	Φ(m)
1	105.5	Φ2.60
2	26.3	Φ5.20
3	11.7	Φ7.80
4	6.5	Φ10.40
5	4.2	Φ13.00

## PERFORMANCE DATA

Lumen values are estimated with LED data sheet.

Watts	Lumen Output	CRI	Lens	CCT	LPW
4	380	90	12/34/48°	3000K	95
8	790	90	12/34/48°	3000K	98
16	1550	90	12/34/48°	3000K	97
4	280	90	Diffused	3000K	70
8	500	90	Diffused	3000K	63
16	980	90	Diffused	3000K	61

## CYLINDER SPOT SERIES MAGNETIC TRACK LIGHT

### GENERAL SPECIFICATION

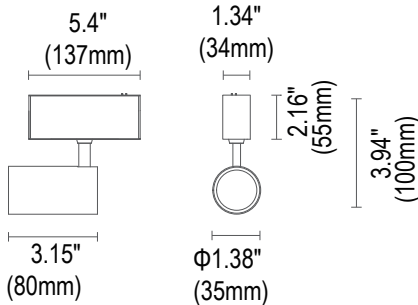
Two sizes with three different beam angles. Junction arm integrated in the spotlight's body to keep the barycentre aligned with the track. This junction arm allows 360° rotation in horizontal direction and 90° rotation in vertical direction.



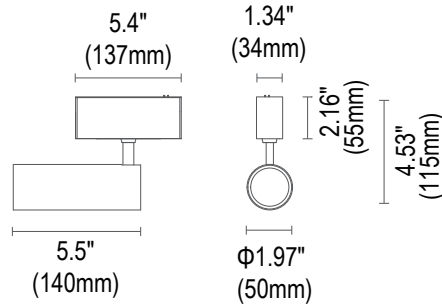
CCT: 2700K/3000K/4000K  
CRI: RA90  
DIM: Triac,0/1-10V,  
Installation: Magnetic  
Environment: Indoor

### DIMENSION

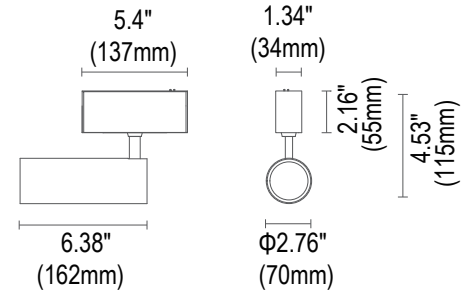
#### Small 5W and 10W



#### Medium 10W



#### Large 20W



### Ordering Information

Example: CSS10-3090-24V-30-MTM-BK

Series	Size	Watts	. CCT&CRI	. Voltage	Lens	Installation	- Finish
CS	S - Small	05 - 5W	- 2790 - 2700K 90Ra	- 24V-24Vdc <sup>1</sup>	20 - 20 degree	MTM - Magnetic Track Mount	- BK -Black <sup>2</sup>
		2X5 - 2X5W	3090 - 3000K 90Ra		30 - 30 degree		
			4090 - 4000K 90Ra		40 - 40 degree		
	M - Medium	10 - 10W			18 - 18 degree		
	L - Large	20 - 20W			24 - 24 degree		
					36 - 36 degree		

#### Notice:

1. The fixture is used for 24V magnetic track system.
2. Standard Finish is black. Custom colors might be available for an additional fee. Please check with Customer Service for more information.


**Small Spot 5W**

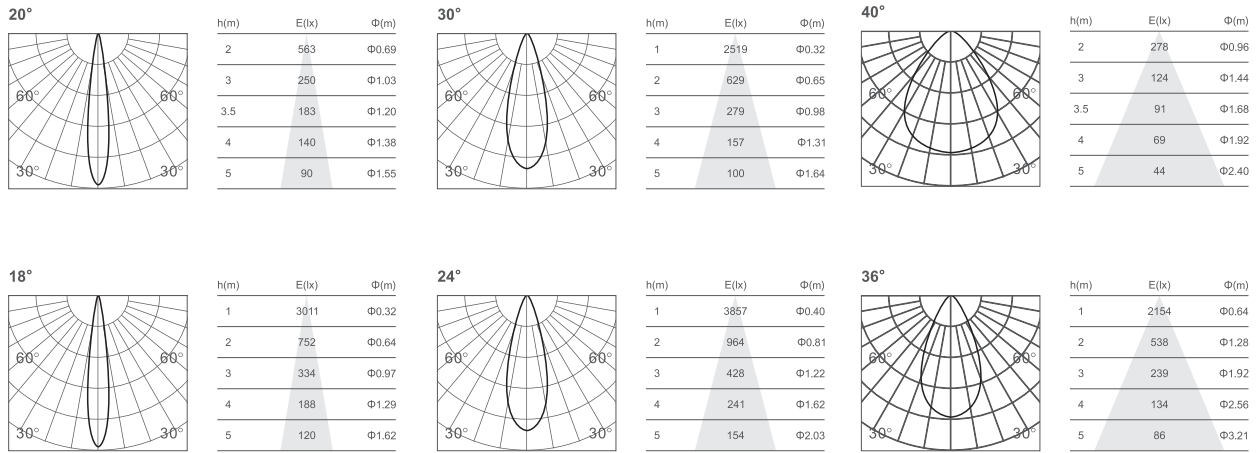
**Small Spot 10W**

**Medium Spot 10W**

**Large Spot 20W**

## PHOTOMETRY

All published luminaire photometric testing performed to IESNA LM-79-08 standards by a NVLAP certified laboratory.



## PERFORMANCE DATA

Lumen values are estimated with LED data sheet.

Watts	Lens	Lumen Output	CRI	CCT	LPW
5	20/30/40°	440	90	3000K	88
10	20/30/40°	880	90	3000K	88
10	18/24/36°	780	90	3000K	78
20	18/24/36°	1450	90	3000K	72

## ROUND SPOT SERIES MAGNETIC TRACK LIGHT

### GENERAL SPECIFICATION

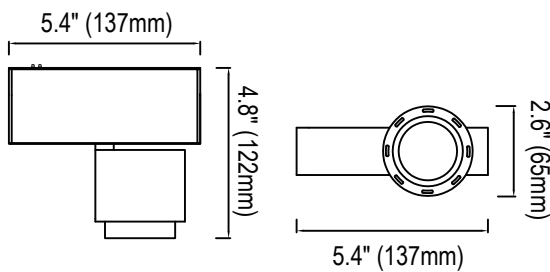
The Round Spot series is available in two sizes and is designed to work with our Magnetic Track System. The junction arm is integrated in the Spots body, keeping the body centered on the track while allowing for 360° rotation along the horizontal plane and 90° rotation along the vertical plane. The fixture is available in three beam angles.

CCT: 2700K/3000K/4000K  
CRI: RA90  
DIM: Triac,0/1-10V,  
Installation: Magnetic  
Environment: Indoor

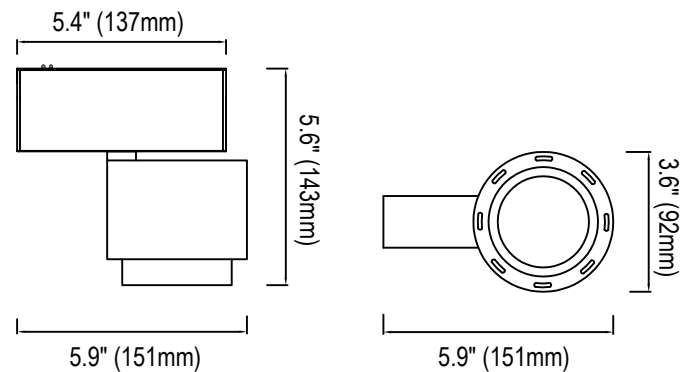


### DIMENSION

#### Small 8W



#### Large 15W



### Ordering Information

Example: RSS08-3090-24V-30-MTM-BK

Series	Size	Watts	- CCT&CRI	- Voltage	Lens	Installation	- Finish
RS	S - Small	08 - 8W	- 2790 - 2700K 90Ra	- 24V-24Vdc <sup>1</sup>	10 - 10 degree	MTM - Magnetic Track Mount	- BK -Black <sup>2</sup>
			3090 - 3000K 90Ra		20 - 20 degree		Optional
	L - Large	15 - 15W	4090 - 4000K 90Ra		30 - 30 degree		WH -White <sup>2</sup>

#### Notice:

1. The fixture is used for 24V magnetic track system.
2. Standard Finish is black. Custom colors might be available for an additional fee. Please check with Customer Service for more information.



**Small Spot 8W**

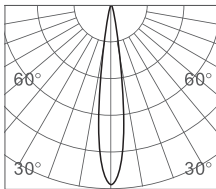


**Large Spot 15W**

## PHOTOMETRY

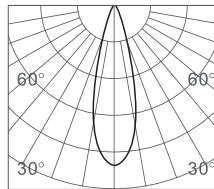
All published luminaire photometric testing performed to IESNA LM-79-08 standards by a NVLAP certified laboratory.

10°



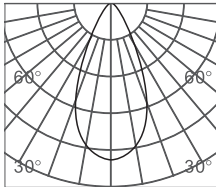
h(m)	E(lx)	Φ(m)
2	4203	Φ0.20
3	1051	Φ0.40
3.5	467	Φ0.61
4	262	Φ0.81
5	168	Φ1.02

20°



h(m)	E(lx)	Φ(m)
1	2675	Φ0.26
2	668	Φ0.53
3	297	Φ0.80
4	167	Φ1.06
5	107	Φ1.33

30°



h(m)	E(lx)	Φ(m)
2	699	Φ0.53
3	174	Φ1.06
3.5	77	Φ1.60
4	43	Φ2.13
5	27	Φ2.66

## PERFORMANCE DATA

Lumen values are estimated with LED data sheet.

Watts	Lens	Lumen Output	CRI	CCT	LPW
8	10/20/30°	400	90	3000K	50
15	10/20/30°	900	90	3000K	60



## SQUARE SPOT SERIES MAGNETIC TRACK LIGHT

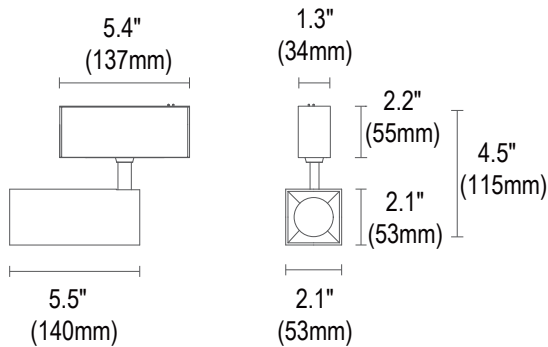
### GENERAL SPECIFICATION

Square shape with three different beam angles. The junction arm is integrated in the Spots body, keeping the body centered on the track while allowing for 360° rotation along the horizontal plane and 90° rotation along the vertical plane.



CCT: 2700K/3000K/4000K  
CRI: RA90  
DIM: Triac,0/1-10V,  
Installation: Magnetic  
Environment: Indoor

### DIMENSION



### Ordering Information

Example: SS10-3090-24V-24-MTM-BK

Series	Watts	- CCT&CRI	- Voltage	Lens	Installation	- Finish
SS	10 - 10W	- 2790 - 2700K 90Ra	- 24V-24Vdc <sup>1</sup>	18 - 18 degree	MTM - Magnetic Track Mount	- BK -Black <sup>2</sup>
		3090 - 3000K 90Ra		24 - 24 degree		Optional
		4090 - 4000K 90Ra		36 - 36 degree		WH -White <sup>2</sup>

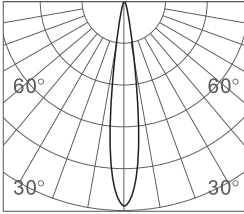
Notice:

1. The fixture is used for 24V magnetic track system.
2. Standard Finish is black. Custom colors might be available for an additional fee. Please check with Customer Service for more information.

## PHOTOMETRY

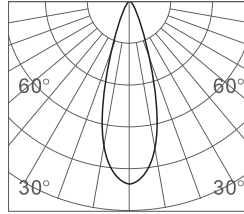
All published luminaire photometric testing performed to IESNA LM-79-08 standards by a NVLAP certified laboratory.

15°



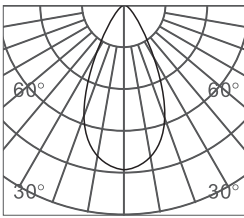
h(m)	E(lx)	Φ(m)
1	3011	Φ0.32
2	752	Φ0.64
3	334	Φ0.97
4	188	Φ1.29
5	120	Φ1.62

24°



h(m)	E(lx)	Φ(m)
1	3857	Φ0.40
2	964	Φ0.81
3	428	Φ1.22
4	241	Φ1.62
5	154	Φ2.03

36°



h(m)	E(lx)	Φ(m)
1	2154	Φ0.64
2	538	Φ1.28
3	239	Φ1.92
4	134	Φ2.56
5	86	Φ3.21

## PERFORMANCE DATA

Lumen values are estimated with LED data sheet.

Watts	Lens	Lumen Output	CRI	CCT	LPW
10	18/24/36°	600	90	3000K	60

## GLOWBALL SERIES MAGNETIC TRACK LIGHT

### GENERAL SPECIFICATION

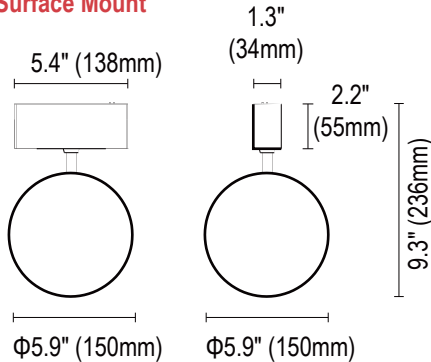
Our Glowball Series Magnetic Track Light is designed for decorative and general lighting. The diffuse spherical glass lens yields a smooth uniform light output, and the fixture is available as both a pendant or surface mounted to our 24V magnetic track system.



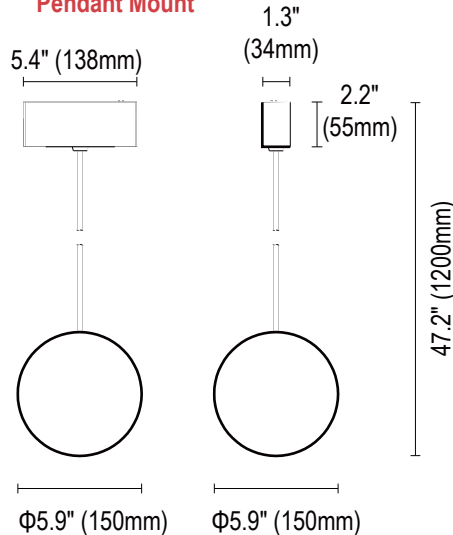
CCT: 2700K/3000K/4000K  
CRI: RA90  
DIM: Triac,0/1-10V,  
Installation: Magnetic  
Environment: Indoor

### DIMENSION

#### Surface Mount



#### Pendant Mount



### Ordering Information

Example: GBL05-3090-24V-PM-BK

Series	Watts	. CCT&CRI	. Voltage	Lens	Installation	- Finish
GBL	05 - 5W	- 2790 - 2700K 90Ra	- 24V-24Vdc <sup>1</sup>	Blank - Diffused	SM - Surface Magnetic Track Mount	- BK -Black <sup>2</sup>
		3090 - 3000K 90Ra				Optional
		4090 - 4000K 90Ra				WH -White <sup>2</sup>

#### Notice:

1. The fixture is used for 24V magnetic track system.
2. Standard Finish is black. Custom colors might be available for an additional fee. Please check with Customer Service for more information.

**Surface  
Magnetic Track Mount**



**Pendant  
Magnetic Track Mount**

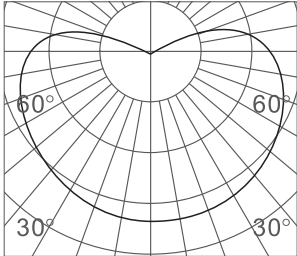


## PHOTOMETRY

All published luminaire photometric testing performed to IESNA LM-79-08 standards by a NVLAP certified laboratory.

2700K 80Ra

**Diffuse**



h(m)	E(lx)	Φ(m)
1	24	Φ2
2	6	Φ4
3	2	Φ6
4	1	Φ8
5	0.9	Φ10

## PERFORMANCE DATA

Lumen values are estimated with LED data sheet.

Watts	Lens	Lumen Output	CRI	CCT	LPW
5	Diffused	290	90	3000K	58

## CYLINDER PENDANT SERIES MAGNETIC TRACK LIGHT

### GENERAL SPECIFICATION

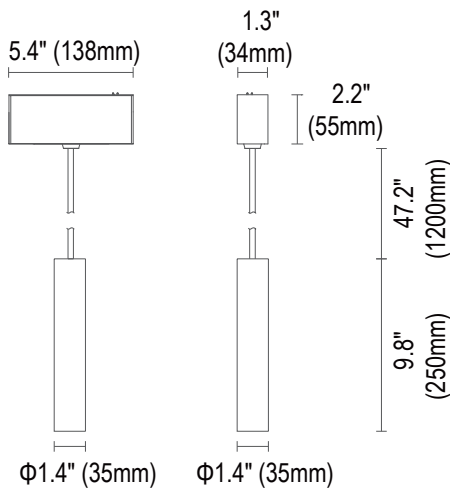
Elegant body coating and antiglare cover. Thanks to the length adjustable cable, the magnetic pendant works smooth in different spaces. Comfortable lighting without glare. Minimal glare and multiple light beams.

CCT: 2700K/3000K/4000K  
CRI: RA90  
DIM: Triac,0/1-10V,  
Installation: Magnetic  
Environment: Indoor

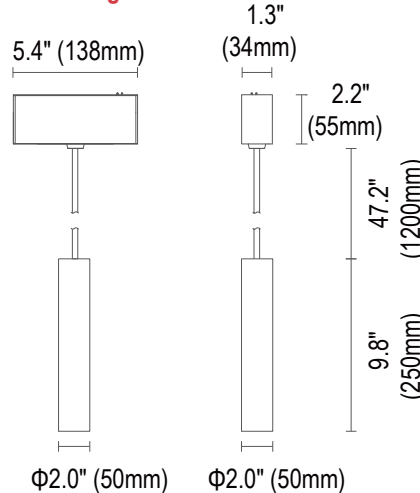


### DIMENSION

#### Small 5W



#### Large 10W



### Ordering Information

Example: CYLP05-3090-24V-30-MTM-BK

Series	Watts	- CCT&CRI	- Voltage	Lens	Installation	- Finish
CYLP	05 - 5W	- 2790 - 2700K 90Ra 3090 - 3000K 90Ra 4090 - 4000K 90Ra	- 24V-24Vdc <sup>1</sup>	20 - 20 degree 30 - 30 degree 40 - 40 degree	MTM - Magnetic Track Mount	- BK -Black <sup>2</sup>  Optional WH -White <sup>2</sup>
	10 - 10W			18 - 18 degree 24 - 24 degree 36 - 36 degree		

Notice:

1. The fixture is used for 24V magnetic track system.
2. Standard Finish is black. Custom colors might be available for an additional fee. Please check with Customer Service for more information.

**Small 5W**

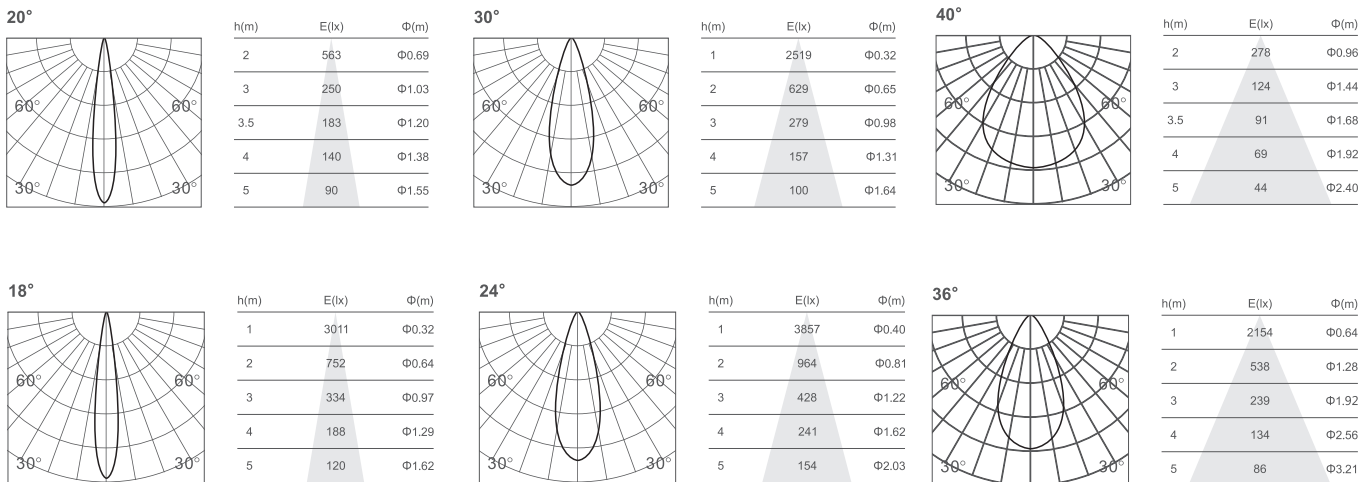


**Large 10W**



## PHOTOMETRY

All published luminaire photometric testing performed to IESNA LM-79-08 standards by a NVLAP certified laboratory.



## PERFORMANCE DATA

Lumen values are estimated with LED data sheet.

Watts	Lens	Lumen Output	CRI	CCT	LPW
5	20/30/40°	440	90	3000K	88
10	18/24/36°	780	90	3000K	78

## ADJUSTABLE RING SERIES MAGNETIC TRACK LIGHT

### GENERAL SPECIFICATION

90 degree foldable and elegant circle design. Three different anti-glare spot lens and diffused glare lens to achieve multiple light beams.

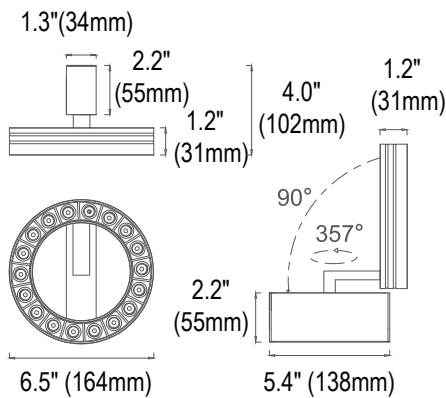


CCT: 2700K/3000K/4000K  
CRI: RA90  
DIM: Triac,0/1-10V,  
Installation: Magnetic  
Environment: Indoor

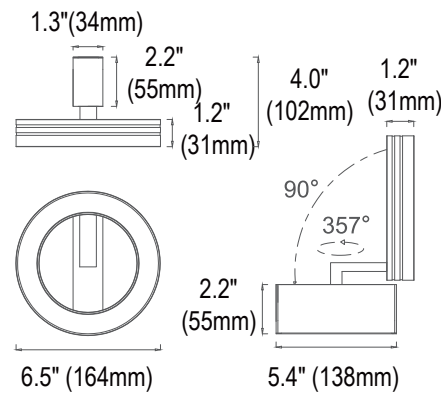


### DIMENSION

#### 18W with Spot Lens

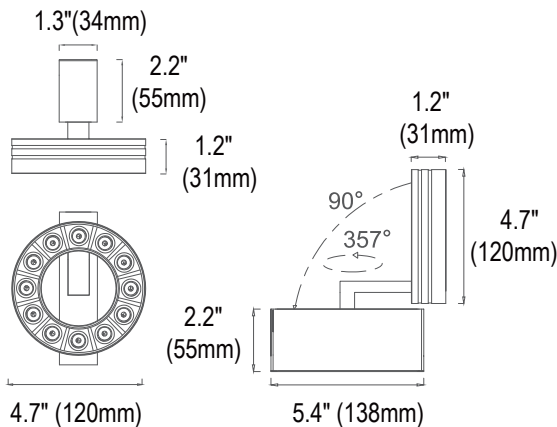


#### 18W with Diffused Lens

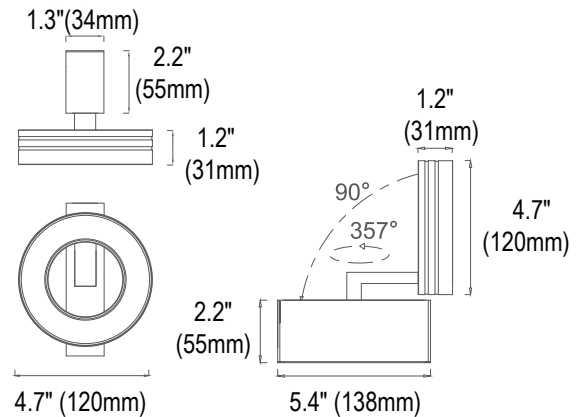


#### 12W with Spot Lens

6.5" (164mm)



#### 12W with Diffused Lens



## Ordering Information

Example: ADJR18-3090-24V-34-MTM-BK

Series	Watts	- CCT&CRI	- Voltage	Lens	Installation	- Finish
ADJR	12 - 12W	- 2790 - 2700K 90Ra	- 24V-24Vdc <sup>1</sup>	Blank - Diffused	MTM - Magnetic Track Mount	- BK -Black <sup>2</sup>
	18 -18W	3090 - 3000K 90Ra		20 - 20 degree		Optional
		4090 - 4000K 90Ra		34 - 34 degree		WH -White <sup>2</sup>
				48 - 48 degree		

Notice:

1. The fixture is used for 24V magnetic track system.
2. Standard Finish is black. Custom colors might be available for an additional fee. Please check with Customer Service for more information.

## PERFORMANCE DATA

Lumen values are estimated with LED data sheet.

Watts	Lens	Lumen Output	CRI	CCT	LPW
12	Diffused	650	90	3000K	54
12	20/34/48°	1150	90	3000K	95
18	Diffused	950	90	3000K	53
18	20/34/48°	1750	90	3000K	97



With Spot Lens



With Diffused Lens



## METEOR PENDANT SERIES MAGNETIC TRACK LIGHT

### GENERAL SPECIFICATION

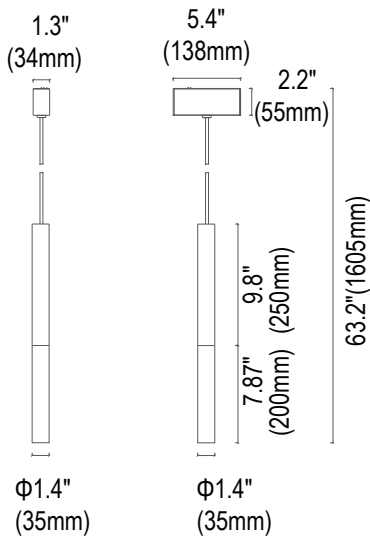
Not only for decoration, it's professional in atmosphere creation by precious light control. Thanks to the length adjustable cable, the magnetic pendant works smooth in different spaces. Comfortable lighting without glare.

CCT: 2700K/3000K/4000K  
CRI: RA90  
DIM: Triac,0/1-10V,  
Installation: Magnetic  
Environment: Indoor

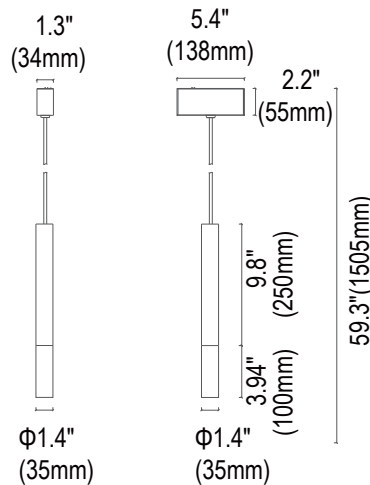


### DIMENSION

#### 8" Tube



#### 4" Tube



### Ordering Information

Example: MET8-05-3090-24V-DL-MTM-BK

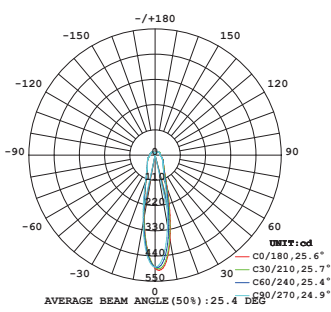
Series	Tube Length	-Watts	- CCT&CRI	- Voltage	Lens	Installation	- Finish
MET	4 - 4" 8 - 8"	05 - 5W	- 2790 - 2700K 90Ra 3090 - 3000K 90Ra 4090 - 4000K 90Ra	- 24V-24Vdc <sup>1</sup>	DL - Diffused	MTM - Magnetic Track Mount	- BK -Black <sup>2</sup> Optional WH -White <sup>2</sup>

#### Notice:

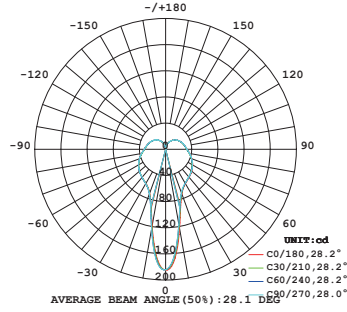
1. The fixture is used for 24V magnetic track system.
2. Standard Finish is black. Custom colors might be available for an additional fee. Please check with Customer Service for more information.

## PHOTOMETRY

All published luminaire photometric testing performed to IESNA LM-79-08 standards by a NVLAP certified laboratory.



**MET4**



**MET8**

## PERFORMANCE DATA

Lumen values are estimated with LED data sheet.

Watts	Tube Length	Lumen Output	CRI	CCT	LPW
5	10cm	460	90	3000K	92
5	20cm	460	90	3000K	92

## BELL PENDANT SERIES MAGNETIC TRACK LIGHT

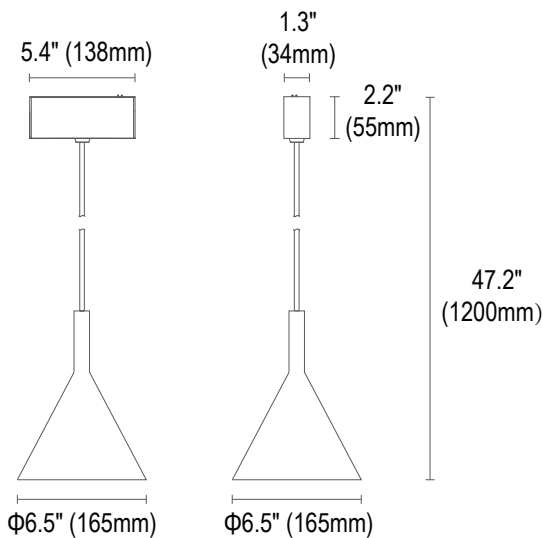
### GENERAL SPECIFICATION

The bell pendant is for decoration and general lighting. Elegant body coating. 65° beam angle. Comfortable lighting without glare. Thanks to the length adjustable cable, the magnetic pendant works smooth in different spaces.

CCT: 2700K/3000K/4000K  
CRI: RA90  
DIM: Triac,0/1-10V,  
Installation: Magnetic  
Environment: Indoor



### DIMENSION



### Ordering Information

Example: BEL 10-3090-24V-65-MTM-BK

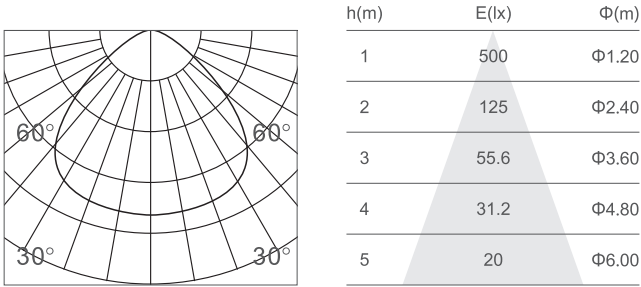
Series	Watts	- CCT&CRI	- Voltage	Lens	Installation	- Finish
BEL	10 - 10W	- 2790 - 2700K 90Ra 3090 - 3000K 90Ra 4090 - 4000K 90Ra	- 24V-24Vdc <sup>1</sup>	65 - 65 degree	MTM - Magnetic Track Mount	- BK -Black <sup>2</sup> Optional WH -White <sup>2</sup>

#### Notice:

1. The fixture is used for 24V magnetic track system.
2. Standard Finish is black. Custom colors might be available for an additional fee. Please check with Customer Service for more information.

## PHOTOMETRY

All published luminaire photometric testing performed to IESNA LM-79-08 standards by a NVLAP certified laboratory.



## PERFORMANCE DATA

Lumen values are estimated with LED data sheet.

Watts	Lens	Lumen Output	CRI	CCT	LPW
10	65°	480	90	3000K	48

## Warranty

Five year limited warranty.

Working temperature: -20°C to + 40°C(-4 °F to 104°F)

## Note:

Specifications subject to change without notice.