

## SUITABLE FOR MODEL



### SAFETY INSTRUCTION

**READ CAREFULLY BEFORE INSTALLING FIXTURE. PLEASE KEEP THIS MANUAL FOR FUTURE USE.**

Fixtures must be wired in accordance with the National Electrical Code and all applicable local codes. Proper grounding is required for safety.

**THIS PRODUCT MUST BE INSTALLED IN ACCORDANCE WITH THE APPLICATION CODE BY A PERSON FAMILIAR WITH THE CONSTRUCTION AND OPERATION OF THE PRODUCT AND THE HAZARDS INVOLVED.**

**MAKE CERTAIN POWER IS OFF BEFORE INSTALLING OR MAINTAINING FIXTURE.**

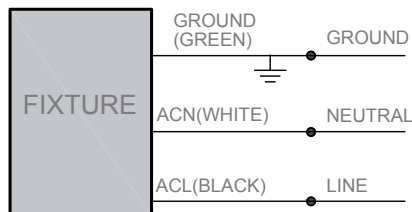
**CHECK THAT VOLTAGE IS COMPATIBLE WITH FIXTURE DRIVER. USE APPROVED CONNECTORS FOR ALL ELECTRICAL CONNECTIONS.**

### MAINTENANCE CAUTION

1. Review the wire connection before beginning, and make sure fixture is grounded properly.
2. For lighting controls, follow control instructions carefully.
3. Turn power off and wait for fixture to cool before performing maintenance.
4. Maintenance must be done by professionals.

## WIRE CONNECTION

Universal Voltage permits operation at 120VAC thru 277VAC , 50 or 60 Hz.



Make the following Electrical Connection:

- a). Connect the voltage supply line to ACL in Black.
- b). Connect the voltage supply Neutral to ACN in White.
- c). Connect Green ground lead to the supply ground lead.

## INSTALLATION

### ACCESSORY PACK



WIRE NUT x 3



WRENCH #2. 5 X 1



WRENCH #3 X 1

### WARNING

**Risk of injury or damage. Make certain power is OFF before installing or maintaining fixture.**

**Notes:**

Before mounting, make sure to align Bollard Base in the orientation that will result in the desired bollard fixture orientation.

**Installation Steps**

1. Make sure the concrete base is suitable for the bollard load.
2. Install Anchor Bolts (3) with Template (1) (order separately or customer supplied) into concrete, having at least 1" protruding from concrete with threads free and clear of debris and dirt. See Figure 2 and 3.
3. Ensure that conduit (customer supplied) exits concrete in the center of the template.
4. Loosen the Set Screws(3) with an L-type Wrench, and remove the Bollard Base of the Bollard. See Figure 6.
5. Remove the top Nuts(3), Spring Washers(3) and Washers(3) from anchor bolts, place the bollard base over the Anchor Bolts, and tighten all the Nuts and Washers. See Figure 4 and 5.
6. Be sure supply leads extend far enough to make wire connections.
7. Make electrical connections as shown in wiring diagram.
8. Slide the Bollard over on Bollard Base. Be sure to check the LED position on the Bollard. Replace the Set Screws (3) to secure the Bollard to the Bollard Base. See Figure 1 and 6.

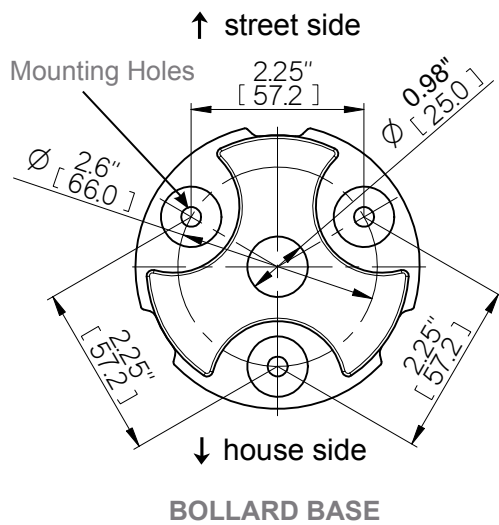


Figure 1

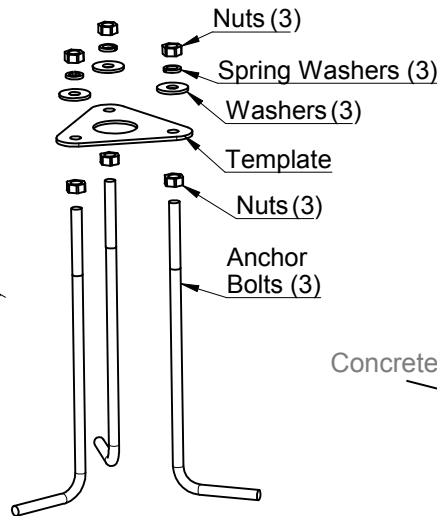


Figure 2

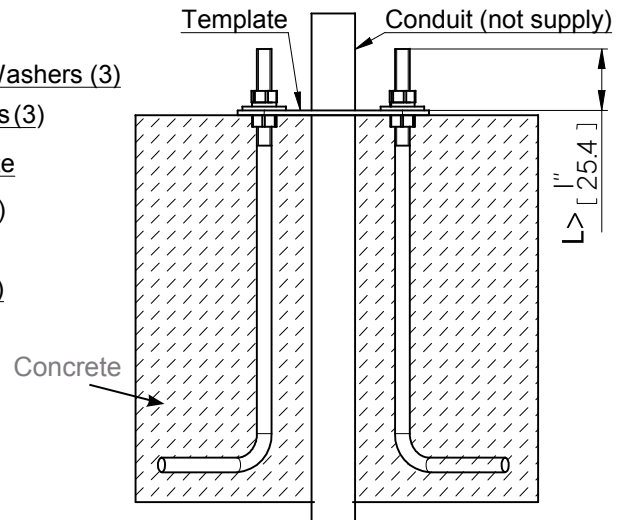


Figure 3

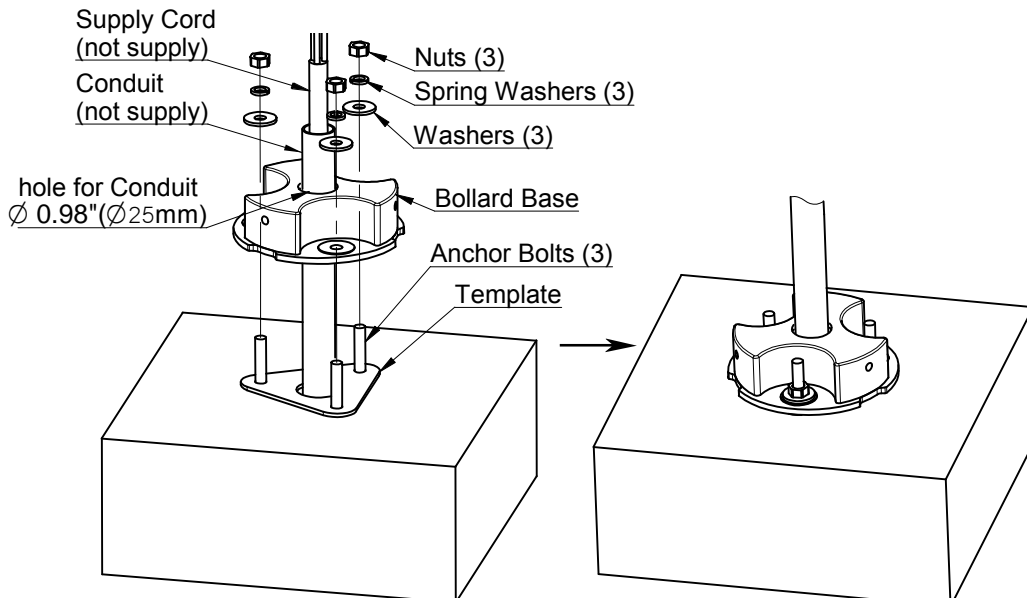


Figure 4

Figure 5

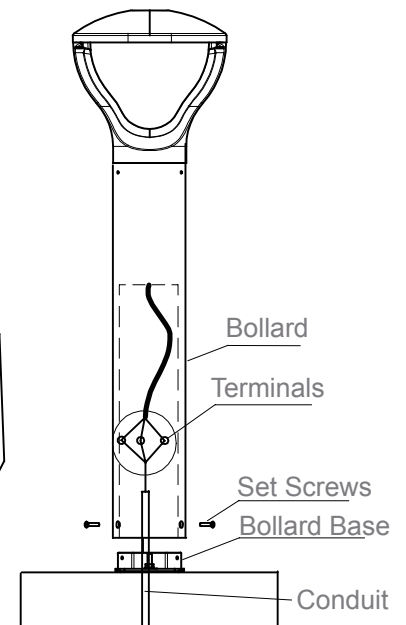


Figure 6

## CCT SETTING

Factory CCT Default Setting: 4000K

CCT can be set as required by selecting the combination on the DIP switches in the pole.

1. Remove the screws (3) on the pole to remove the fixture head. See figure 7.
2. Select desired CCT by the DIP switches.
3. Fasten the fixture head back to the pole by the removed screws (3).

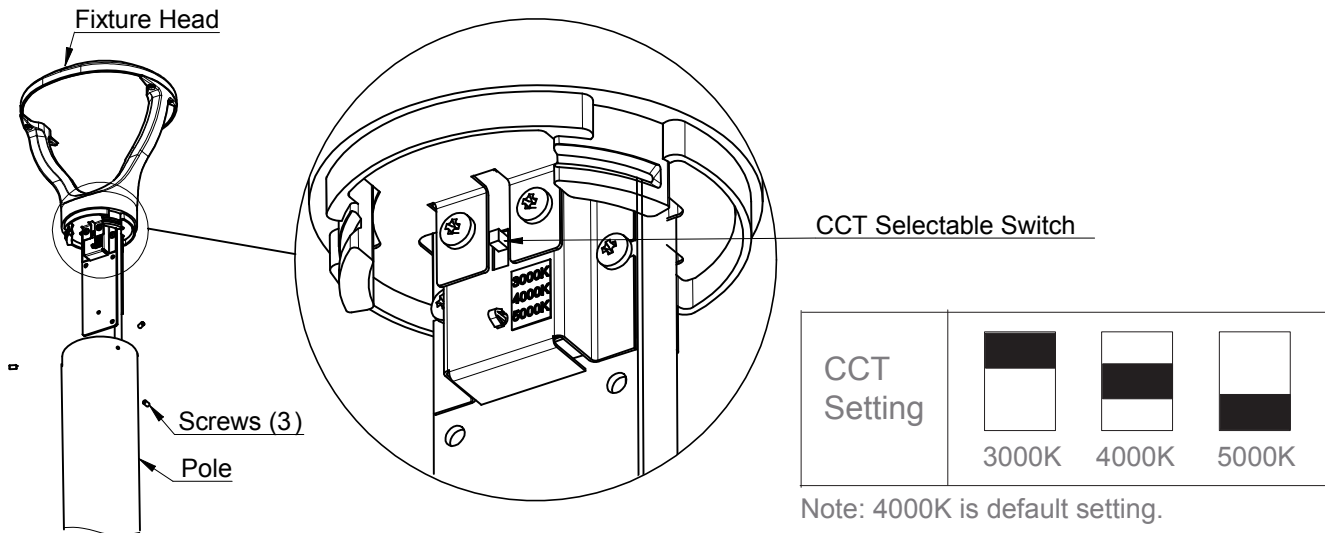
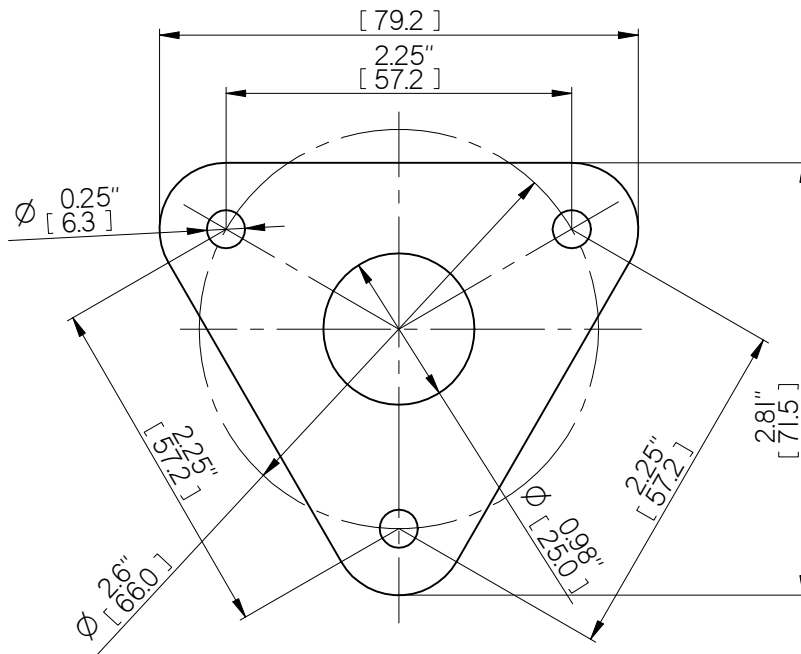


Figure 7



ANCHOR BOLT TEMPLATE