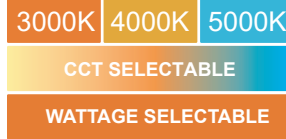




SELECTABLE SLIM WALL PACK



PRODUCT DESCRIPTION

The selectable & adjustable architectural Slim Wall Packs, featured by wattage and CCT selectable. Injection die-cast aluminium housing. Tempered glass lens. Installation made simple and easy with a hinged junction box. Ideal for landscape, wall/surface, low level pathway, apartment buildings, schools, multi-use facilities.

FEATURES

- Architectural low profile design
- 0-90 degree angle adjustable
- 3000K, 4000K and 5000K selectable
- Wattage selectable
- Die-cast aluminum housing
- Tempered glass lens
- Sensor is available

ELECTRICAL SYSTEM

- Input voltage: 120-347V
- 50/60Hz
- Power Factor: >0.9
- Total Harmonic Distortion: <20% at full load
- Working Temperature: -40 - 104°F (-40 - 40°C)

PERFORMANCE

CRI

70 is standard
80 is optional

CCT

3000K, 4000K, 5000K selectable

Dimming

0-10V Dimming Standard

Projected Lifetime

L70 -100,000 Hours

Working Temperature

-40 - 104°F (-40 - 40°C)

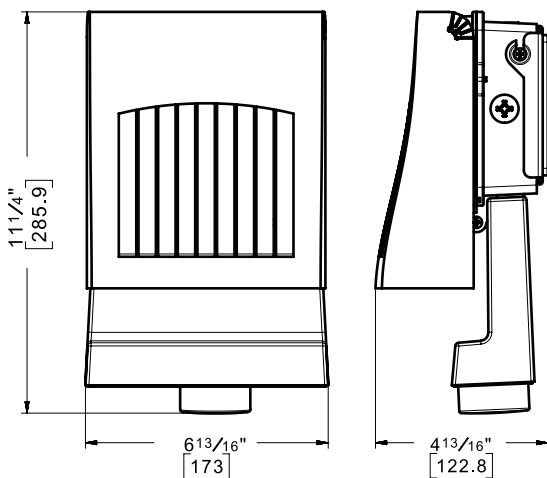
Certifications

- cUL listed
- Suitable for wet locations
- RoHs compliant

DIMENSION

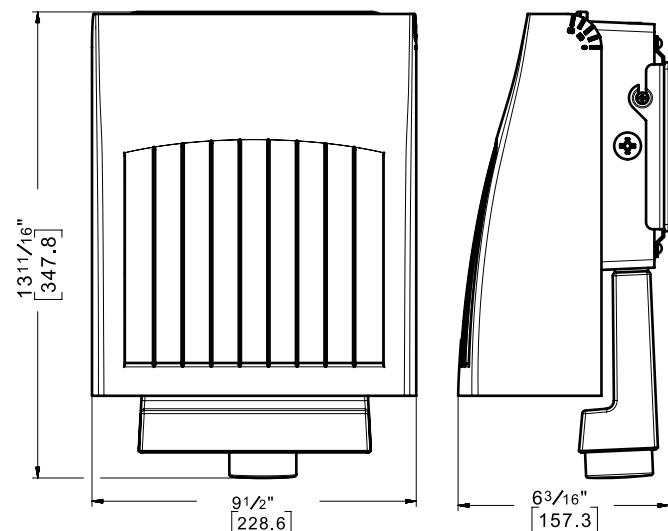
20/24W with Sensor

Net Weight: 4.4 lbs



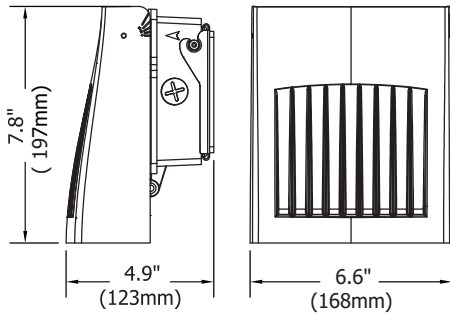
40/60/75W with Sensor

Net Weight: 9.3 lbs



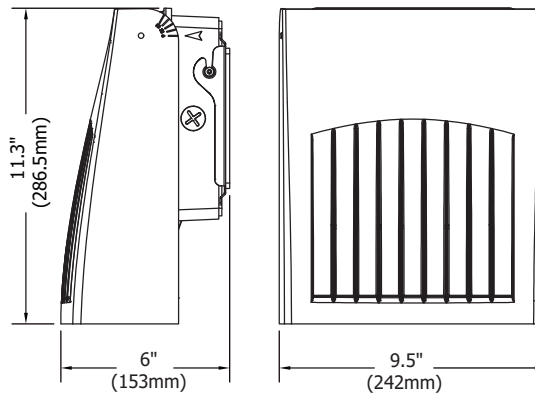
20/24W

Net Weight: 3.97 lbs



40/60/75W

Net Weight: 8.93 lbs



With Sensor



Without Sensor

Ordering Information

Example: SSWP-SPS-SW8-MSW

Name	Watts	- CCT	Voltage	- Control	- Finish
SSWP	SPS - Selectable Power 20W/24W ¹	- SW - Selectable White 3000K/4000K/5000K ²	8-120-347V	Blank - None	Blank - Bronze
	SPL - Selectable Power 40W/60W/75W ¹			MSW - Microwave Dimming Sensor ³	
				PC - Button Photocontrol ⁴	

Notice:

- 24W and 75W are default setting, If need other wattage, please contact Customer Service in advance to change the setting in factory or change the setting in the field.
- 4000K is default setting. If need other CCT please contact Customer Service in advance to change the setting in factory or change the setting in the field.
- Dimming level 50%, 75% and 100% are for mounting height 49ft (15m) max. Dimming levels 25% is for mounting height 39ft (12m) max. Different sensor settings can be set by the remote controller MH10.
- Photocontrol is 120-277V.

* Bronze finish is standard. Additional charges will apply for all the other colors. Please contact customer service for premium adder.

Accessories (Ordered separately)



90576
MH10
 Remote control for MSW

PERFORMANCE DATA

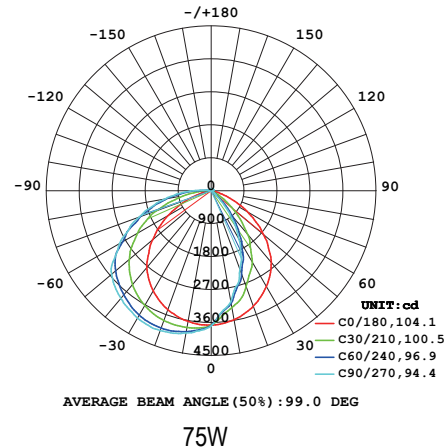
LUMEN OUTPUT

Lumen values are measured by third party certified laboratories performed in accordance with IESNA LM-79-08 as well as Lighting Facts listed.

Nominal Watts	Tested Watts	Lumen Output	AC Input 120V	CCT	CRI	LPW
20W	19W	2600	0.16A	4000K	>70	138
24W	23W	3200	0.19A	4000K	>70	138
40W	40W	5400	0.33A	4000K	>70	135
60W	57W	7800	0.47A	4000K	>70	137
75W	72W	9650	0.60A	4000K	>70	134

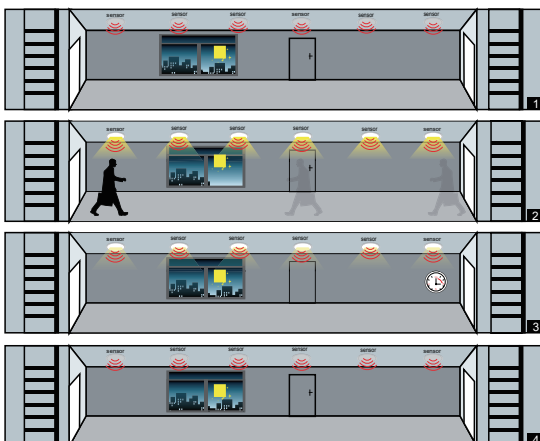
PHOTOMETRY

All published luminaire photo metric testing performed to IESNA LM-79-08 standards by a NVLAP certified laboratory.



MICROWAVE DIMMING SENSOR

The sensor is an innovative motion sensor, switch on the light on detection of movement, and switch off after a hold time when there is no motion detected.



1. No motion detected, all lamps switch off.
2. Any movement is detected from any direction, all lamps synchronously switch on.
3. No motion is detected in detection area, all lamps synchronously dim to a low light level after hold time.
4. After stand-by period, the lamps switch off if no movement is detected in the detection zone.

MICROWAVE DIMMING SENSOR SETTING (MC079D RC2)

Sensor data can be precisely set for each specific application by a remote controller which need to be bought separately.

Detection area

Detection area can be reduced by selecting the combination on the remote controller to fit precisely each application.

Optional Setting: 100%/75%/50%/25%

Default Setting: 100%

Hold time

Refers to the time period the lamp remains at 100% illumination after no motion detected.

Optional Setting: 5S/30S/1min/3min/5min/10min/20min/30min

Default Setting: 5min

Stand-by period

Refers to the time period the lamp remains at a low light level before it completely switches off in the long absence of people. When set to “+∞” mode, the low light is maintained until motion is detected.

Optional Setting: 0S/10S/1min/3min/5min/10min/30min/+∞

Default Setting: +∞

Notes: If just need ON/OFF function, please set the stand-by period in “0S” mode by the remote controller.

Daylight sensor

The sensor can be set to only allow the lamp to illuminate below a defined ambient brightness threshold. When set to Disable mode, the daylight sensor will switch on the lamp when motion is detected regardless of ambient light level. 50lux, 30lux: twilight operation, 10lux, 5lux: darkness operation only. Note that daylight sensor is active only when lamp totally switches off.

Optional Setting: 5lux/15lux/30lux/50lux/100lux/150lux/Disable

Default Setting: 30lux

Stand-by dimming level

The low light level you would like to have after the hold time in the long absence of people.

Optional Setting: 10%/20%/30%/50%

Default Setting: 50%

WARRANTY

Five year limited warranty.

Note: Specifications subject to change without notice.