

SUITABLE FOR MODEL



SAFETY INSTRUCTION



READ CAREFULLY BEFORE INSTALLING FIXTURE. PLEASE KEEP THIS MANUAL FOR FUTURE USE.

Fixtures must be wired in accordance with the National Electrical Code and all applicable local codes. Proper grounding is required for safety.

THIS PRODUCT MUST BE INSTALLED IN ACCORDANCE WITH THE APPLICATION CODE BY A PERSON FAMILIAR WITH THE CONSTRUCTION AND OPERATION OF THE PRODUCT AND THE HAZARDS INVOLVED. MAKE CERTAIN POWER IS OFF BEFORE INSTALLING OR MAINTAINING FIXTURE.

CHECK THAT VOLTAGE IS COMPATIBLE WITH FIXTURE DRIVER. USE APPROVED CONNECTORS FOR ALL ELECTRICAL CONNECTIONS.

MAINTENANCE CAUTION



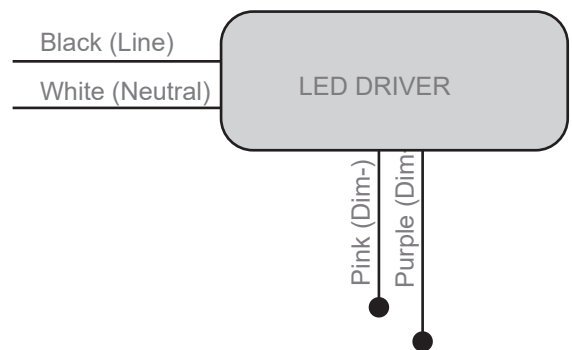
1. Review the wire connection before beginning, and make sure fixture is grounded properly.
2. For lighting controls, follow control instructions carefully.
3. Turn power off and wait for fixture to cool before performing maintenance.
4. Maintenance must be done by professionals.

WIRE CONNECTION

Universal voltage driver permits operation at 120-347V 50-60Hz. 0-10V control wires must be rated for 300V minimum.

For 0-10V Dimming, follow the wiring direction as in Figure 1.

1. Connect the black fixture lead to the (+) LINE supply lead.
2. Connect the white fixture lead to the (-) COMMON supply lead.
3. Connect the GROUND wire from fixture to supply ground.
- Do NOT connect the GROUND of the dimming fixture to the output.
4. Connect the violet fixture lead to the (V+) Dim lead if needed.
5. Connect the pink fixture lead to the (V-) Dim lead. if needed



INSTALLATION

WARNING

Risk of injury or damage. Make certain power is OFF before installing or maintaining fixture.

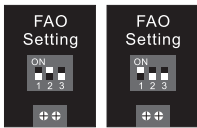
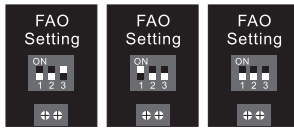

ACCESSORY PACK



WIRE NUT X 5

WATTAGE AND CCT SETTING

By selecting the combination on the switches, wattages and CCT can be set as required.

	20W/24W	40W/60W/75W
Wattage Setting	 <p>20W 24W</p> <p>For 20W: only Switch 2 to ON as shown. For 24W: only Switch 1 to ON as shown. Note: Other position combinations are invalid(by default).</p>	 <p>40W 60W 75W</p> <p>For 40W: only Switch 3 to ON as shown. For 60W: only Switch 1 to ON as shown. For 75W (maximum power): all three switches to off as shown(by default). Note: Other position combinations are invalid.</p>
CCT Setting	 <p>3000K 4000K 5000K</p>	Note: 4000K is default setting.

INSTALLATION STEPS

1. Use a 3/32 hexagon wrench to detach the mounting plate from the fixture by unscrewing halfway the 2 side retaining screws, until the mounting plate is loose. (Figure 1)
2. Use mounting screws (not provided) to fix mounting plate to the J-box (not provided). Note the screw hanging hooks should be facing out once installed. (Figure 2)
3. Use a 3/32 hexagon wrench to loose the side hex screws and adjust luminaire head upward to 90 degrees. (Figure 3).
4. Open the driver box by unscrewing the top part of the driver box. (Figure 3).
5. Pull out the power supply wires (L black, N White), grounding wire (G Green), and dimming wires (purple and gray) (if needed), by breaking through the 5 holes wire gasket. (Figure 4)
6. Select the desired CCT by using the sliding switch according to project needs. (Figure 4)
7. Hang the luminaire on the mounting hooks and check the internal bubble level to verify that the fixture is plumb and level. (Figure 4)
8. Close and secure the driver box, by screwing back the driver box screws. Adjust back the luminaire head to downward position. (Figure 3)
9. Using the 2 top back hanging screws of the fixture, temporarily hang the fixture on the bottom hooks of the mounting plate to safely make appropriate electrical connections by following the wiring diagram, use electrical connectors. Carefully tuck all the wires and connectors into the J-box. (Figure 5).
10. Pull up and detach the fixture. Position it to the mounting plate using all the back top, bottom and side hanging screws into the appropriate hooks of the mounting plate (top to top, bottom to bottom, side to side). Secure the fixture by tightening the two side retaining screws. (Figure 6).
11. Applying silicone caulk around the perimeter of the driver box where it meets the wall to ensure a water-tight seal. Finally adjust the fixture head angle according to project needs and secure it by locking the side hex screw and installation is complete. (figure 7).

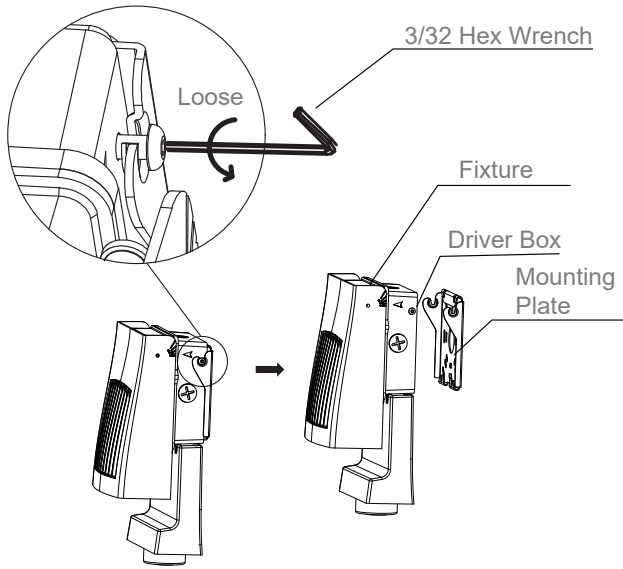


Figure 1

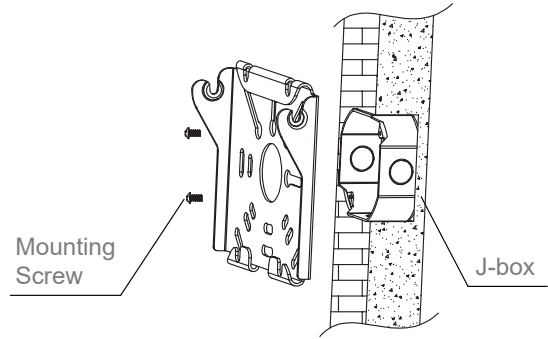


Figure 2

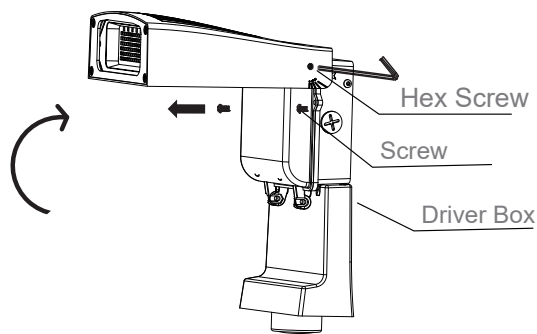


Figure 3

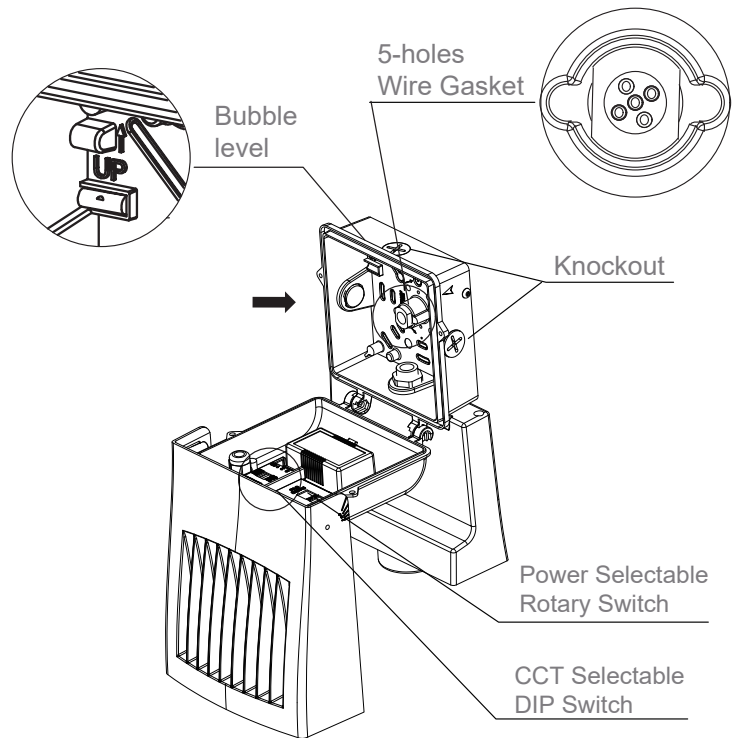


Figure 4

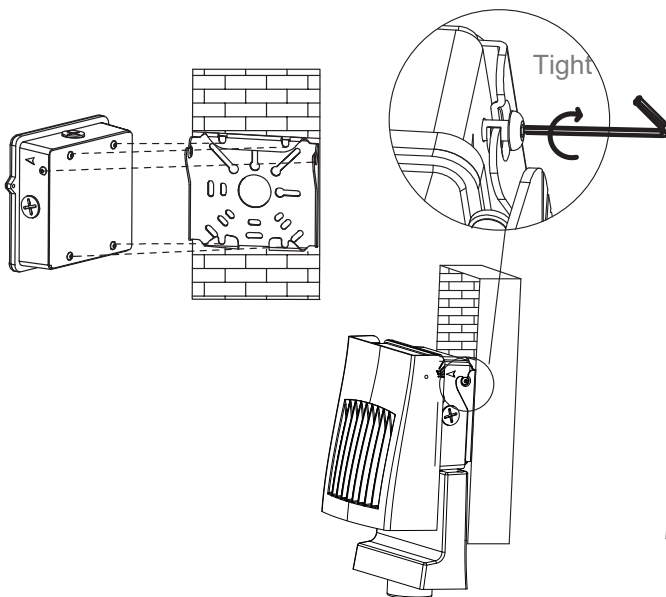


Figure 6

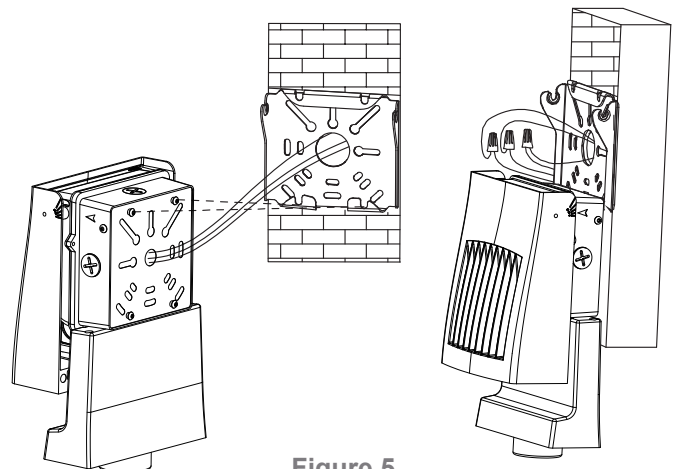


Figure 5

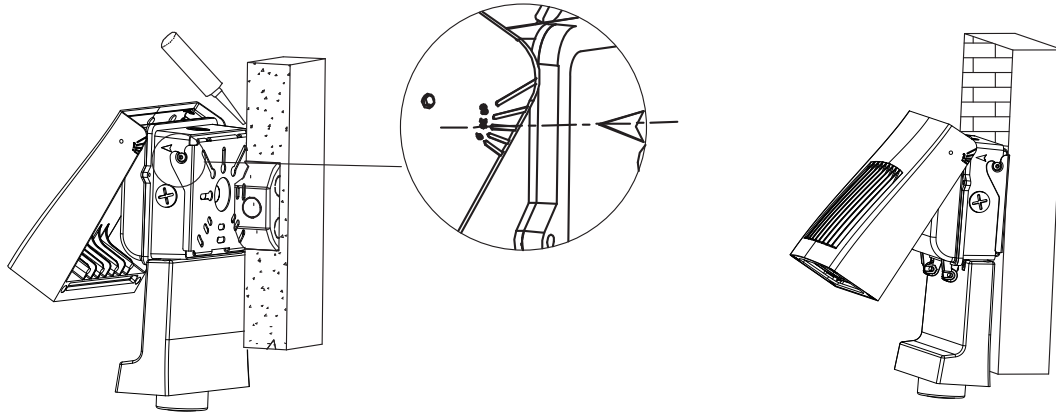


Figure 7

MICROWAVE DIMMING SENSORSETTING (MC079D RC2)

Sensor data can be precisely set for each specific application by a remote controller which need to be bought separately.

Detection area

Detection area can be reduced by selecting the combination on the remote controller to fit precisely each application.

Optional Setting: 100%/75%/50%/25%

Default Setting: 100%

Hold time

Refers to the time period the lamp remains at 100% illumination after no motion detected.

Optional Setting: 5S/30S/1min/3min/5min/10min/20min/30min

Default Setting: 5min

Stand-by period

Refers to the time period the lamp remains at a low light level before it completely switches off in the long absence of people. When set to “+∞” mode, the low light is maintained until motion is detected.

Optional Setting: 0S/10S/1min/3min/5min/10min/30min/+∞

Default Setting: +∞

Notes: If just need ON/OFF function, please set the stand-by period in “0S” mode by the remote controller.

Daylight sensor

The sensor can be set to only allow the lamp to illuminate below a defined ambient brightness threshold. When set to Disable mode, the daylight sensor will switch on the lamp when motion is detected regardless of ambient light level. 50lux, 30lux: twilight operation, 10lux, 5lux: darkness operation only. Note that daylight sensor is active only when lamp totally switches off.

Optional Setting: 5lux/15lux/30lux/50lux/100lux/150lux/Disable

Default Setting: 30lux

Stand-by dimming level

The low light level you would like to have after the hold time in the long absence of people.

Optional Setting: 10%/20%/30%/50%

Default Setting: 50%