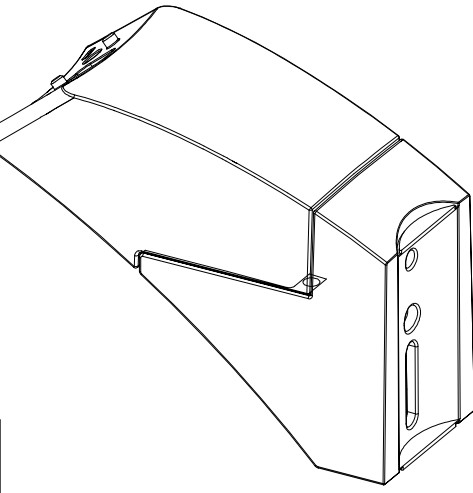


REV	DESCRIPTION	DATE
V0		



Above All Lighting

TOLERANCES .X \pm 0.20 .XX \pm 0.10 ANGELS .X \pm 0.5°		MM	TITLE	Slide Arm for EPT2
	Draw by	zh	DRW NO.	EPT2-003
	Rev	V0		