

SKY LIGHT LED Area Luminaire



PRODUCT DESCRIPTION

The Sky Light is low profile, low maintenance and low effective projected area but feature long life. It replaces up to 1000W MH light and can be used as area light and flood light by applying different mounting options. The Sky Light is ideal for Parking Lots, Roadways, Auto Dealerships and Field Lighting.

FEATURE

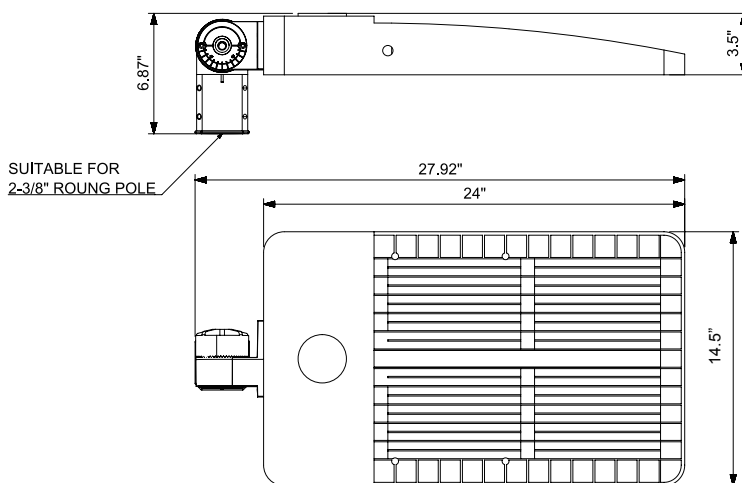
- IES distribution Types II, III & V
- Slip Fitter, trunnion, arm mount
- Photocell, sensor, 7pin receptacle
- 10kA surge protection included

ELECTRICAL SYSTEM

- Input Voltage: 120-277V, 347V/ 480V
- 50/60Hz
- Minimum Ambient -40°F, maximum ambient 104°F
- Power Factor: > 0.9 @120Vac
- Total Harmonic Distortion: < 20%
- Integral 10KV surge suppression protection standard

SPECIFICATION

300W Slip Fitter (SF)



PERFORMANCE

CRI

70 is standard

80 is optional

CCT

3000K, 4000K, 5000K

Dimming

1-10V Dimming Standard

The dimming wires are inside the fixture.

If need to have access to the dimming wire, please contact Customer Service.

Projected Lifetime

L70 - 154,000 Hours

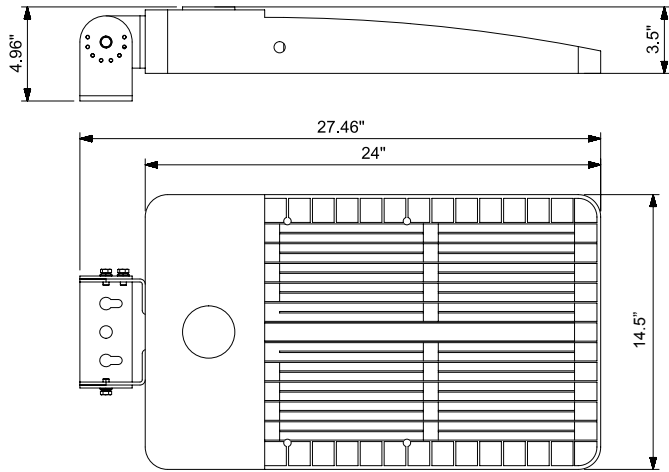
Working Temperature

-40-104°F (-40-40°C)

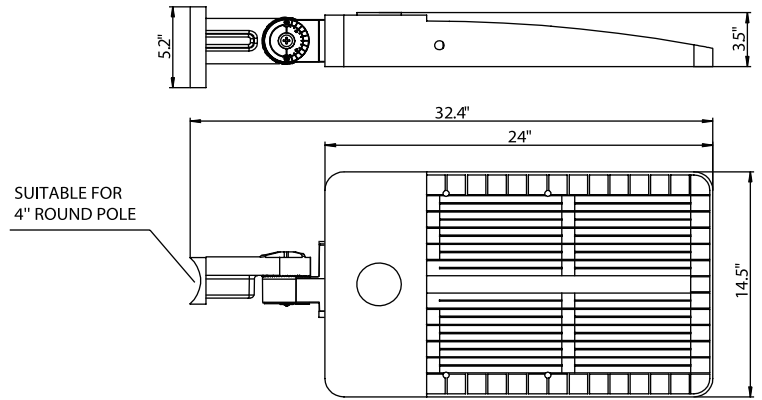
Certifications

- cETLus Listed
- IP65 rated
- RoHS compliant

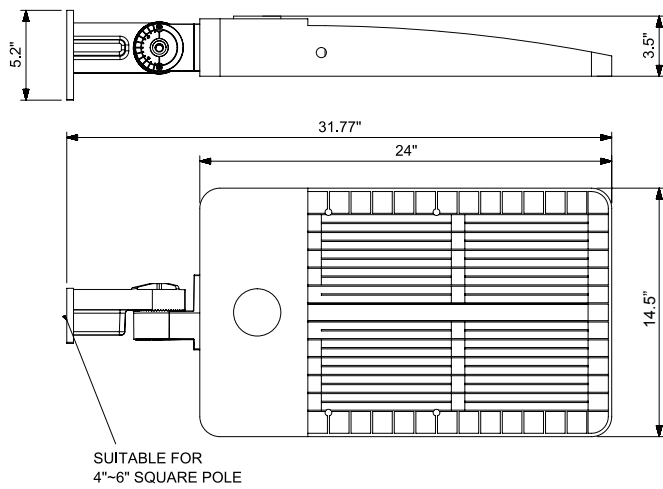
300W Trunnion (TR)



300W Round Pole Arm (RAR)



300W Square Pole Arm (SAR)



Ordering Information

Example: SL300501-II

| Sky Light | Watts | CCT | Voltage | Controls | Distribution | Finish |
|-----------|----------------|------------|----------------------------|---|-----------------------|---|
| SL | 300 - 300Watts | 30 - 3000K | 1 - 120-277V | Blank - None | II - Type II | Standard Blank - Dark Bronze |
| | | 40 - 4000K | 6 - 347V/480V ¹ | PC - Photoelectric Control | III - Type III | |
| | | 50 - 5000K | | 7P - 7 Pin PE Receptacle | V - Type V | |
| | | | | MS-L7B - Motion Sensor with Black L7 Lens ⁴ | | Optional* |
| | | | | MS-L7W - Motion Sensor with White L7 Lens ⁴ | | AL - Aluminum Silver (See Notes) |
| | | | 2 - 347V ² | PC - Photoelectric Control | | |
| | | | 3 - 480V ³ | | | |

Note:

- 347/480V is not available for photocontrol and motion sensor.
- 347V is only used with photoelectric control .
- 480V is only used with photoelectric control.
- Motion sensor is only for 120-277V. No inventory for products with Motion sensor. If need products with Motion sensor please check lead time with Customer Service in advance.

* Standard Finish is Dark Bronze. Custom colors might be available for an additional fee. Please check with Customer Service for more information.

Accessories (ordered separately/field install)



90233

SL-SAR

Sky light Square pole Arm



90266

SL-RAR

Sky light Round pole Arm



90236

SL-SF

Sky light Slip Fitter



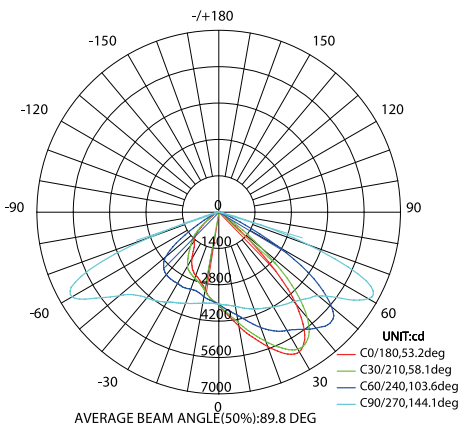
90267

SL-TR

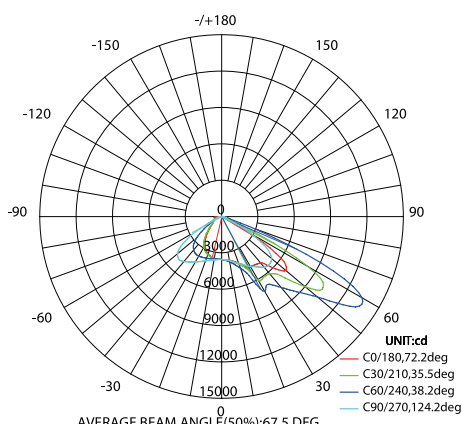
Sky light Trunnion

PHOTOMETRY

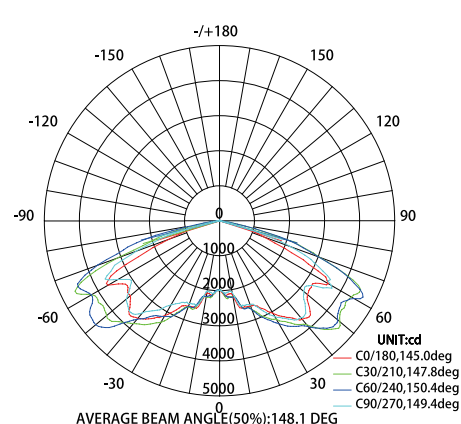
All published luminaire photometric testing performed to IESNA LM-79-08 standards by a NVLAP certified laboratory.



Type II



Type III



Type V

PERFORMANCE DATA

LUMEN OUTPUT

Lumen values are measured by third party certified laboratories performed in accordance with IESNA LM-79-08 as well as Lighting Facts listed.

| Watts Measured | Lumen Output | AC Input 120V | CRI | CCT | Dist. Type | LPW |
|----------------|--------------|---------------|-------|-----|--------------|------------|
| 300W | 310W | 40,600lm | 2.75A | >70 | 5000K Type V | 131 |

Projected LED Lumen Maintenance

Data references the extrapolated performance projections for the MT LED in a 77°F ambient, (tested per IESNA LM-80-08 and projected per IESNA TM-21-11).

| Operating Hours | 0 | 10,000 | 19,000 | 37,000 | 154,000 |
|--------------------------|-----|-----------|-----------|-----------|------------------|
| Lumen Maintenance Factor | 0.1 | 0.98(L98) | 0.96(L96) | 0.92(L92) | 0.70(L70) |

| System Wattage | Max THD (%) | Power Factor(at 120Vac) | Power Efficiency | Replaces/Equiv. (MH/HPS) |
|----------------|-------------|-------------------------|------------------|--------------------------|
| 300W | 20 | >0.9 | 93% | 750-1000W |

Warranty

Five year limited warranty.

Note:

Specifications subject to change without notice.

Lumen Ambient Temperature (LAT) Multipliers

Use these factors to determine relative lumen output for average ambient temperature from -40-104°F (-40-40°C).

| Ambient | | Multiplier |
|---------|------------|------------|
| Celsius | Fahrenheit | |
| 0 | 32 | 1.02 |
| 10 | 50 | 1.01 |
| 20 | 68 | 1.00 |
| 25 | 77 | 1.00 |
| 30 | 86 | 1.00 |
| 40 | 104 | 0.99 |

Effective Project Area

| Mounting Arm | Tilt Angle | 300W |
|---------------|------------|---------------------|
| SAR/RAR/SF/TR | 0° | 0.75ft ² |
| | 10° | 0.75ft ² |
| SF/TR | 20° | 1.19ft ² |
| | 30° | 1.65ft ² |
| | 40° | 2.06ft ² |
| | 50° | 2.41ft ² |

BUG RATING

Performed to IESNA LM-79-08 standards by a NVLAP accredited laboratory

| Model | BUG Rating |
|--------------|------------|
| SL300301-II | B5-U0-G4 |
| SL300301-III | B4-U0-G3 |
| SL300301-V | B5-U0-G4 |
| SL300401-II | B5-U0-G4 |
| SL300401-III | B4-U0-G3 |
| SL300401-V | B5-U0-G3 |
| SL300501-II | B5-U0-G4 |
| SL300501-III | B5-U0-G3 |
| SL300501-V | B5-U0-G4 |

Ref#: 20230221