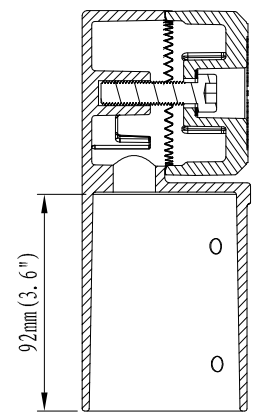
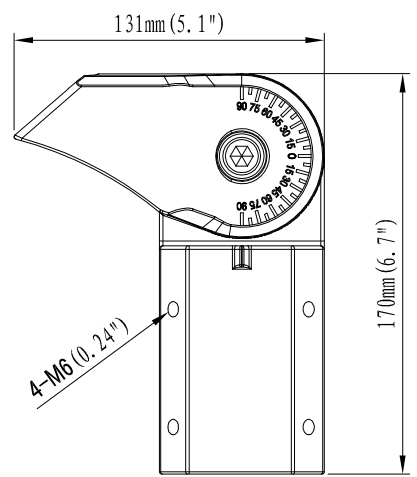
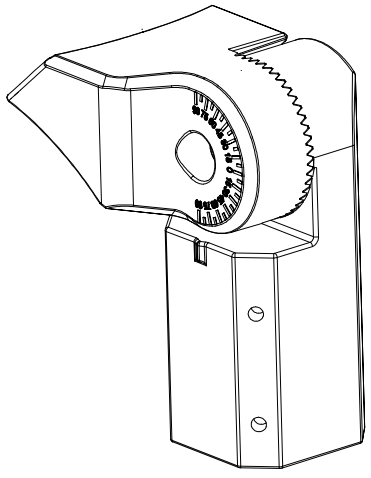
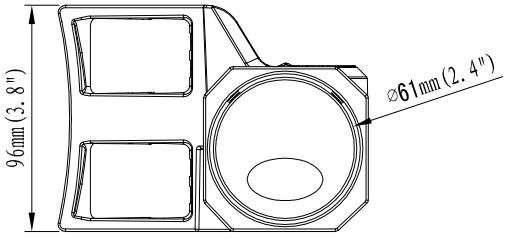


13 13 12 11 10 9 8 7 6 5 4 3 2 1

J
I
H
G
F
E
D
C
B
A

REV	DESCRIPTION	DATE
V0		



Above All Lighting

TOLERANCES .X ± 0.20 .XX ± 0.10 ANGELS .X ± 0.5°		MM	TITLE	Slip Fitter for EPT2
	Draw by	zh		
	Rev	V0	DRW NO.	EPT2-004

13 13 12 11 10 9 8 7 6 5 4 3 2 1