

SUITABLE FOR MODEL



SAFETY INSTRUCTION:

READ CAREFULLY BEFORE INSTALLING FIXTURE. PLEASE KEEP THIS MANUAL FOR FUTURE USING. Fixtures must be wired in accordance with the National Electrical Code and all applicable local codes. Proper grounding is required for safety.

THIS PRODUCT MUST BE INSTALLED IN ACCORDANCE WITH THE APPLICATION CODE BY A PERSON FAMILIAR WITH THE CONSTRUCTION AND OPERATION OF THE PRODUCT AND THE HAZARDS INVOLVED.

MAKE CERTAIN POWER OFF BEFORE INSTALLING OR MAINTAINING FIXTURE.

CHECK THAT VOLTAGE IS COMPATIBLE WITH FIXTURE DRIVER, USE APPROVED CONNECTORS FOR ALL ELECTRICAL CONNECTIONS.

WARNING:

RISK OF ELECTRICAL SHOCK

- Turn off electrical power at fuse or circuit breaker box before wiring fixture to the power supply.
- Turn off the power when you perform any maintenance.
- Verify that supply voltage is correct by comparing it with the luminaire label information.
- Make all electrical and grounded connections in accordance with the National Electrical Code and any applicable local code requirements.
- All wiring connections should be capped with UL approved wire connectors.

CAUTION:

RISK OF INJURY

- Wear gloves and safety glasses at all times when removing luminaire from carton, installing, servicing or performing maintenance.
- Avoid direct eye exposure to the light source while it is on.
- Account for small parts and destroy packing material, as these may be hazardous to children.

CAUTION:

RISK OF FIRE

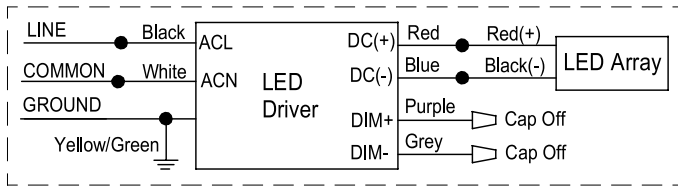
- Keep combustible and other materials that can burn away from luminaire and lamp/lens.
- MIN 90°C SUPPLY CONDUCTORS.

WIRE CONNECTION

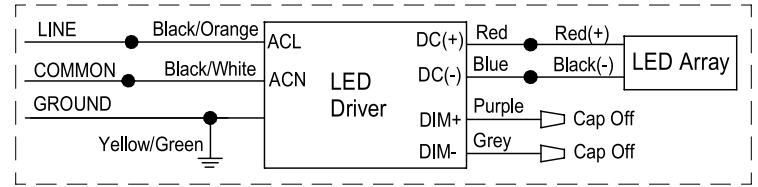
Universal voltage driver permits operation at 120V thru 277V or 347/480V, 50 or 60Hz

- Connect the voltage supply Line to our AC-L terminal
- Connect the voltage Neutral supply to our AC-N terminal
- Connect the green/yellow ground lead to the supply ground lead
- If 0-10V Dimming is used, connect the supply positive dimming lead to our 0-10V(Dim+) terminal
- If 0-10V Dimming is used, connect the supply negative dimming lead to our 0-10V(Dim-) terminal

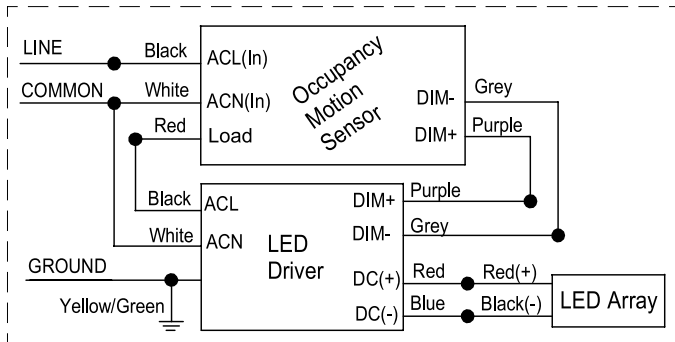
Wiring Diagram For 120-277V



Wiring Diagram For 347/480V



Wiring Diagram For 120-277V Occupancy Motion Sensor



INSTALLATION

V-HOOK MOUNT

ACCESSORY PACK (shipped together)



WIRE NUT X 5



V-HOOK X 2

SAFETY CHAIN X 1

INSTALLATION STEPS

1. Secure provided V-hooks (2) and Safety Chain (1) through Bracket Hole at back of Housing. Feed the V-hooks through chains(not supply). Hung the fixture to the required place. See Figure 1.
2. Remove Access Plate and necessary Knockout(s). Feed supply wire with strain relief conduit connector through Knockout(s) and make electrical connections as shown in wiring diagram. Use UL listed connectors and supply wire must meet applicable electrical codes. Push all wires back into Housing. Ensure wires are not pinched. See Figure 1.
3. Replace Access Plate and secure with removed Screw. See Figure 1.

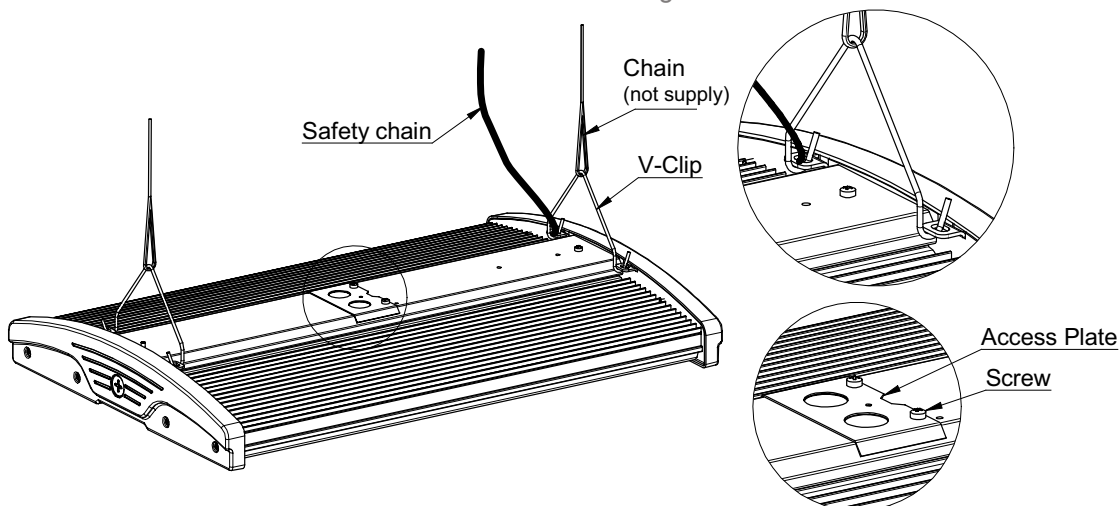


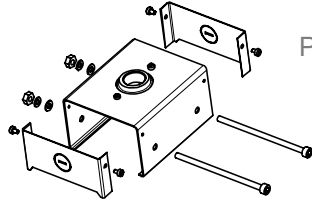
Figure 1

PENDANT MOUNT

ACCESSORY PACK (ordered separately)



WIRE NUT X 5



PENDANT MOUNT KITS X 1

SAFETY CHAIN X 1

INSTALLATION STEPS

1. Remove Access Plate and necessary Knockout(s). Pull out three AC wires through the Knockout. Be careful not to cut the wires. See Figure 2.
2. Install Box Kits to a 3/4" threaded Pendant Stem (not supplied). Feed supply wires through Pendant Stem. See Figure 3.
3. Support fixture while snapping Box Kits into fixture slot by Clasp Hook (2). Secure the Box Kits but not tightly with supplied Screw A (2), Nuts (2), Locking Washers (2) and Gaskets (2). Adjust Fixture to make sure it is balanced and tighten the Screw A (2). See Figure 3.
4. Secure provided Safety Chain (1) through a hole on the bracket.
5. Make electrical connections as shown in wiring diagram. Use UL listed connectors and supply wire must meet applicable electrical codes. Push all wires back into Box Kits.
6. Install Side Plates (2) with supplied Screw B (4). Ensure wires are not pinched. See Figure 4.

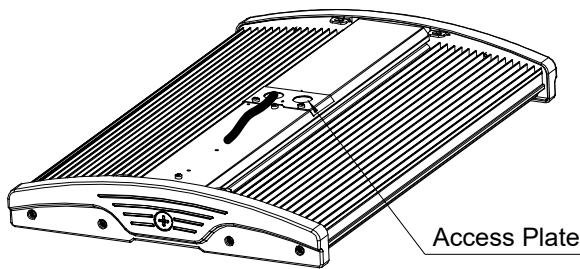


Figure 2

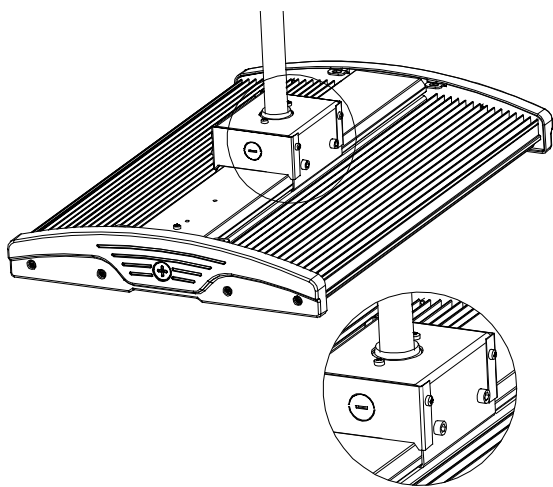
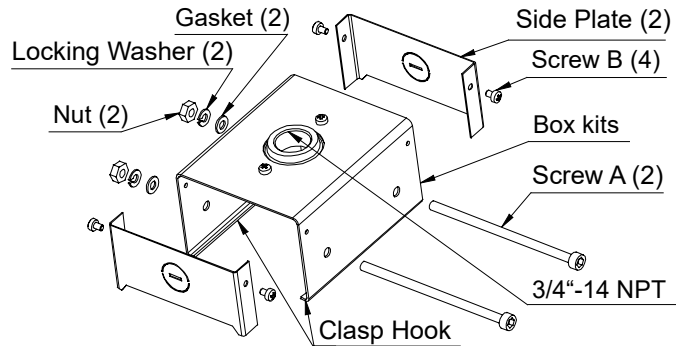


Figure 4

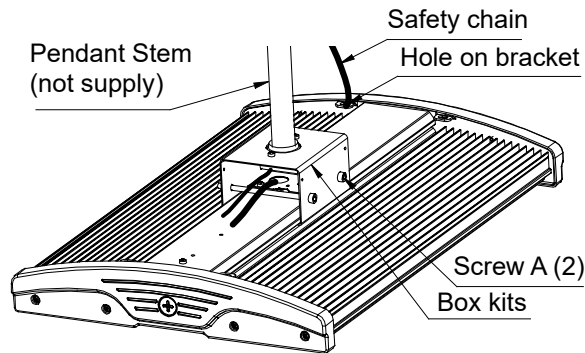
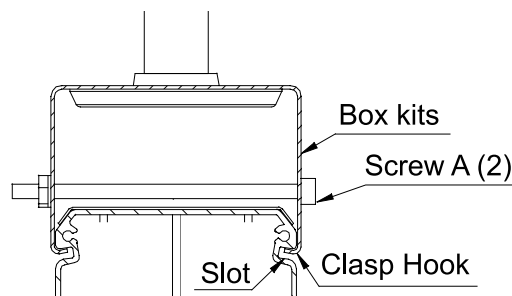


Figure 3

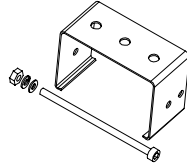


CHANNEL MOUNT

ACCESSORY PACK (ordered separately)



WIRE NUT X 5



BRACKET KITS X 2

SAFETY CHAIN X 2

INSTALLATION STEPS

1. Drill mounting holes on the desired structure surface according to the recommended drill pattern.
2. Attach Brackets (2) to structure surface with 5/16" screws (not supplied). Two brackets must be used on all configurations. See Figure 5.
3. Secure provided Safety Chains (2) through Bracket Holes at back of Housing. Hang the fixture on the fixed brackets (2) with Safety Chains (2). See Figure 5.
4. Remove Access Plate and necessary Knockout(1). Feed Conduit (not supplied) through Knockout (1) and make electrical connections as shown in wiring diagram. Use UL listed connectors and supply wire must meet applicable electrical codes. Push all wires back into Housing. Ensure wires are not pinched. Replace Access Plate and secure with removed Screw . See Figure 5.
5. Support fixture while snapping Brackets (2) into fixture Slots by Clasp Hooks. Secure the Brackets (2) but not tightly with supplied Screw A (2), Nuts (2), Locking Washers (2) and Gaskets (2). Adjust Fixture to make sure it is balanced and tighten the Screw A (2). See Figure 6.

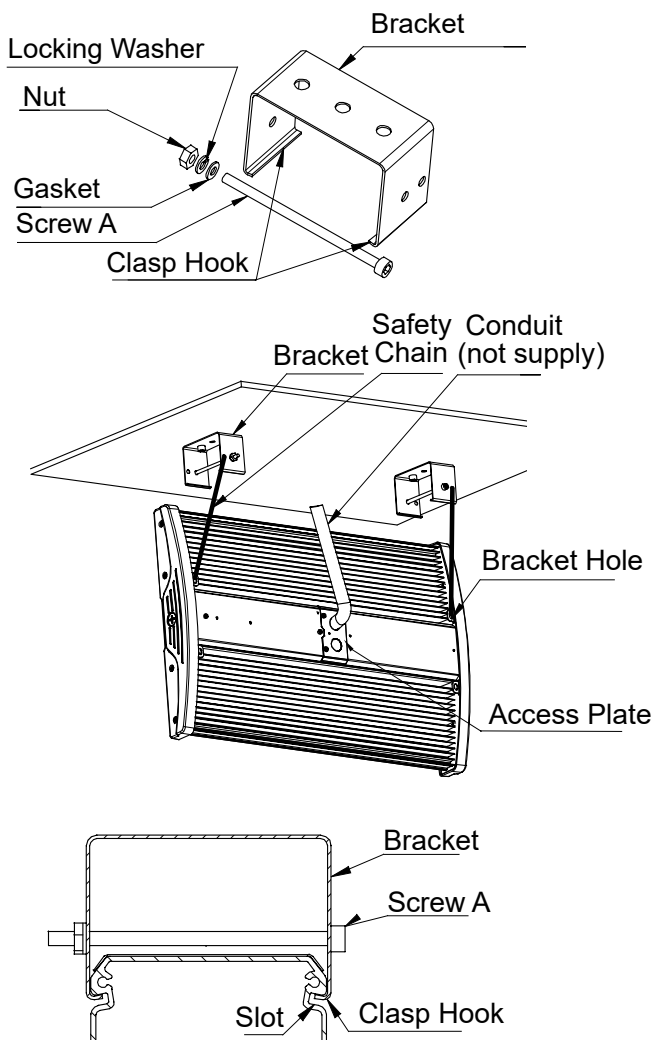
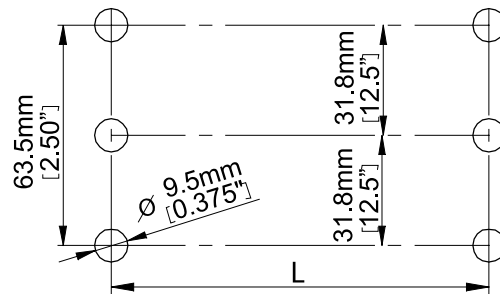


Figure 5

RECOMMENDED DRILL PATTERN



L	
2FT	203.2 ~ 482.6mm (8"~19")
4FT	381.0 ~ 1016 mm (15"~ 40")

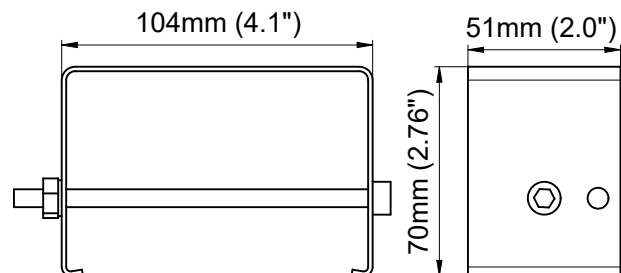
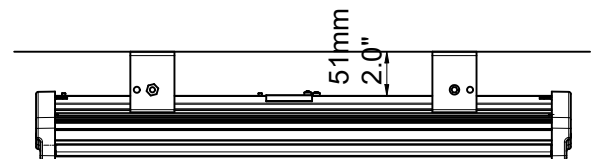


Figure 6