

## SCAN2 CANOPY LIGHT



### PRODUCT DESCRIPTION

The SCAN2 canopy light is powered by advanced LEDs, featured by wattage and CCT selectable. Injection die-cast aluminium housing. Striped polycarbonate lens. Textured architectural bronze powdercoat finish. It can be used in many canopy and parking garage applications.

### PERFORMANCE

CRI

70

CCT

3000K, 4000K, 5000K selectable

Dimming

0-10V Dimming Standard

Projected Lifetime

L70 -100,000 Hours

Working Temperature

-40 - 104°F (-40 - 40°C)

Certifications

- ETL listed
- Suitable for wet locations
- IP65 rated
- RoHs compliant

### FEATURES

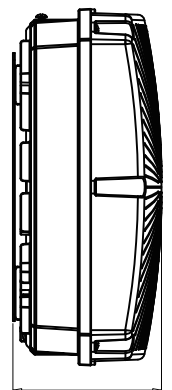
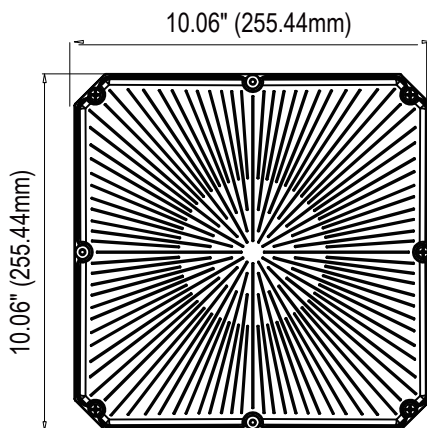
- Die-cast aluminum housing
- 3000K, 4000K and 5000K selectable
- Wattage selectable
- Emergency battery back-up and sensor available

### ELECTRICAL SYSTEM

- Input voltage: 120-347V, 50/60Hz
- Power Factor: >0.9
- Total Harmonic Distortion: <20% at full load
- Working Temperature: -40 - 104°F (-40 - 40°C)

### DIMENSION

Net Weight: 19.4 lbs



4.19" (106.55mm)

## Ordering Information

### Example: SCAN2-70SP-SW8-BZ

Name	Watts	- CCT	Voltage	- Control	- Finsh
<b>SCAN2</b>	<b>70SP</b> - Selectable Power 28W/40W/60W/70W <sup>1</sup>	<b>SW</b> - Selectable White 3000K/4000K/5000K <sup>2</sup>	<b>8</b> -120-347V	<b>Blank</b> - None <b>MSW</b> - Microwave Dimming Sensor <sup>3</sup>	<b>BZ</b> - Bronze
<b>Order separately</b> Emergency Battery Backup <sup>4</sup>					

#### Notice:

- 70W is default setting.
- 4000K is default setting.
- Microwave dimming sensor, for mounting height 49ft (15m) max. Different sensor setting can be set by the remote controller HD05R.
- Emergency battery backup need to be bought separately and field installed. Ambient working temperature for Emergency battery backup is 32°F -95°F (0 °C -35°C).

\* Bronze finish is standard. Custom color is available for a premium setup fee. Consult customer service for additional information.

### Accessories (Ordered separately)



**HD05R**  
Remote control for sensor



**SCAN2-EBU-BZ**  
EBU Kits for SCAN2

## PERFORMANCE DATA

### LUMEN OUTPUT

Lumen values are measured by third party certified laboratories performed in accordance with IESNA LM-79-08 as well as Lighting Facts listed.

Nominal Watts	Lumen Output	AC Input 120V	CCT	CRI	LPW
28W	3580	0.23A	4000K	>70	128
40W	5100	0.33A	4000K	>70	128
60W	7600	0.50A	4000K	>70	128
70W	9000	0.58A	4000K	>70	128

## MICROWAVE DIMMING SENSOR SETTING(HD07VR-MH-1)

Sensor data can be precisely set for each specific application by a remote controller which need to be bought separately.

### Detection area

Detection area can be reduced by selecting the combination on the remote controller to fit precisely each application.

Optional Setting: 100%/75%/50%/25%

**Default Setting: 100%**

### Hold time

Refers to the time period the lamp remains at 100% illumination after no motion detected.

Optional Setting: 5S/30S/1min/3min/5min/10min/20min/30min

**Default Setting: 20min**

### Stand-by period

Refers to the time period the lamp remains at a low light level before it completely switches off in the long absence of people. When set to “+∞” mode, the low light is maintained until motion is detected.

Optional Setting: 0S/10S/30S/1min/5min/10min/30min/60min/+∞

**Default Setting: +∞**

Notes: If just need ON/OFF function, please set the stand-by period in “0S” mode by the remote controller.

### Daylight sensor

The sensor can be set to only allow the lamp to illuminate below a defined ambient brightness threshold. When set to Disable mode, the daylight sensor will switch on the lamp when motion is detected regardless of ambient light level. 50lux, 30lux: twilight operation, 10lux, 5lux: darkness operation only. Note that daylight sensor is active only when lamp totally switches off.

Optional Setting: 2Lux/10Lux/30Lux/50Lux/80Lux/120Lux/Disable

**Default Setting: Disable**

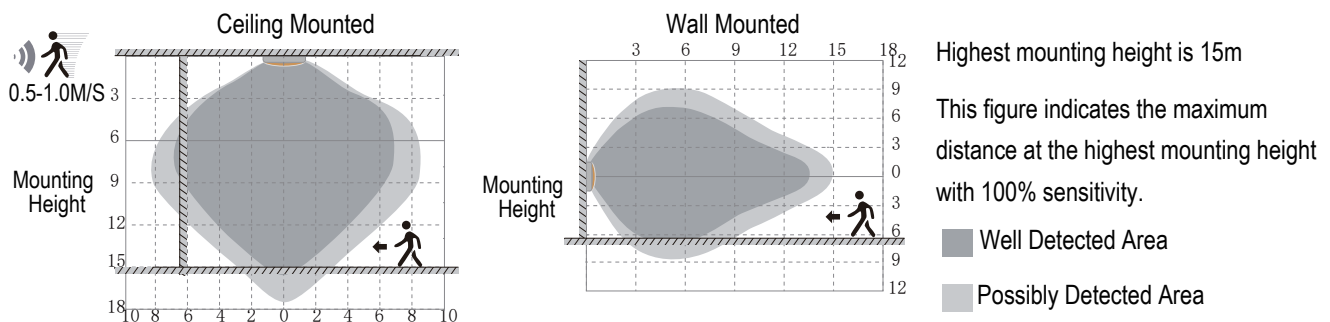
### Stand-by dimming level

The low light level you would like to have after the hold time in the long absence of people.

Optional Setting: 10%/20%/30%/50%

**Default Setting: 50%**

## Detection Coverage



## WARRANTY

Five year limited warranty.

**Note:** Specifications subject to change without notice.