



EUNIKE LED BOLLARD



PRODUCT DESCRIPTION

An Innovative bollard light which enhances the aesthetics of any space, the Eunique LED Bollard has photocontrol as a standard feature and is available in 20" and 43" pole heights. This bollard is an excellent choice for a wide variety of applications such as walkways, entrances, promenades, plazas, bridges, and landscaped areas.

FEATURE

- Simple and sleek design
- 20" and 43" height available
- Photocontrol is available
- Emergency battery back-up available
- IP66 rated for wet location

ELECTRICAL SYSTEM

- Input Voltage: 120-277V
- 50/60Hz
- Minimum Ambient -22°F, maximum ambient 104°F
- Power Factor: > 0.9 @120Vac
- Total Harmonic Distortion: < 20%

PERFORMANCE

CRI

70 is standard

80 is optional

CCT

3000K, 4000K, 5000K

Dimming

0-10V Dimming Driver

Projected Lifetime

L70 - 100,000 Hours

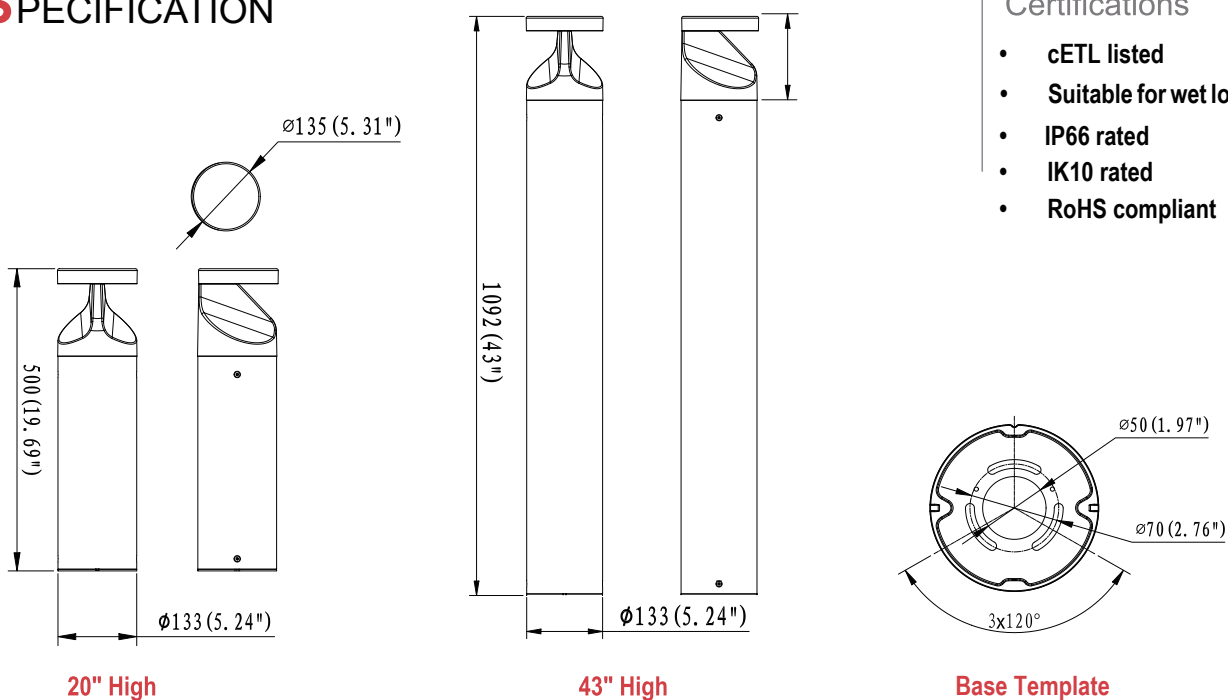
Working Temperature

-30°C to + 40°C (-22°F to 104°F)

Certifications

- cETL listed
- Suitable for wet location
- IP66 rated
- IK10 rated
- RoHS compliant

SPECIFICATION



Ordering Information

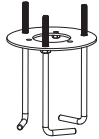
Example: EBD43H-25401-PC-III-BK

Name	Pole Height	-Watts	CCT	Voltage	-Controls	-Distribution	-Finish
EBD - Eunike Bollard	20H - 20" High	15- 15 Watts	30 - 3000K	1 - 120-277V	PC - Photocontrol ¹ EBU - Emergency Battery Back-up ²	III - Type III IV - Type IV	BK - Black ³ (RAL9017)
	43H - 43" High	25- 25 Watts	40 - 4000K				
			50 - 5000K				

Note:

1. Photocontrol comes standard.
2. Emergency battery back-up is only for 43" high pole. It is for ambient temperatures of 32°F-95°F(0 °C-35°C). Emergency battery backup is available in 4W with 420lm and works for a minimum of ninety (90) minutes.
3. Standard Finish is black. Custom color available with additional cost. Please check with Customer Service for more information.

ACCESSORIES (ORDER SEPARATELY)



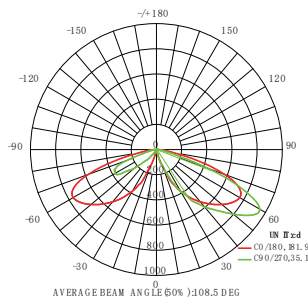
91121

ABMK04

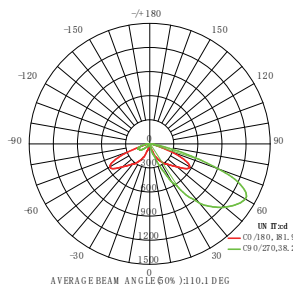
Anchor bolts mounting kits
for Selectable Cone Bollard
and Eunike Bollard

PHOTOMETRY

All published luminaire photometric testing performed to IESNA LM-79-08 standards by a NVLAP certified laboratory.



Type III



Type IV

PERFORMANCE DATA

LUMEN OUTPUT

Watts	Tested Watts	Lumen Output	AC Input 120V	CRI	CCT	LPW
25W	24W	2540m	0.2A	70	4000K	107
15W	13W	1500m	0.1A	70	4000K	118

Lumen Multiplier

3000K	0.9
4000K	1
5000K	0.95

BUG Rating

Performed to IESNA LM-79-08 standards by a NVLAP accredited laboratory.

Model	BUG Rating
EBD-15401-III	B1-U0-G1
EBD-15401-IV	B0-U0-G1
EBD-25401-III	B1-U0-G1
EBD-25401-IV	B1-U0-G1

Ref#: 20230310



Photocontrol Option

Warranty

Five year limited warranty.

Note:

Specifications subject to change without notice.