



MELO CYLINDER PENDANT LIGHT



PRODUCT DESCRIPTION

The MELO cylinder would greatly create possibilities in the whole commercial area. Multiple sizes, beam options, and high visual comfort COB LED. It is now available in pendant and surface mount configurations which offers a beautiful and architectural cylinder solutions.

FEATURES

- Modular design
- COB LED chip: 80+ standard, 90+ optional
- Dimming: 0-10V(10% standard, 1% optional) or TRIAC
- Beam angle: 15°, 24°, 36°, 60° options
- Architectural form : 4", 6" and 8"
- Mounting: Pendant or surface
- Wattage Selectable

ELECTRICAL SYSTEM

- Input Voltage: 120-277V, 50/60Hz
- Operating temperature range: -4-77°F (-20-25°C)
- Power Factor: > 0.9 at full load
- Total Harmonic Distortion: < 20% at full load

PERFORMANCE

CRI

80

CCT

3000K, 3500K, 4000K

Dimming

0-10V(10% standard, 1% optional)
 TRIAC dimming optional

Projected Lifetime

L70 - 100,000 Hours

Working Temperature

-4-77°F (-20-25°C)

Certifications

- cULus conforms to UL Std. 1598Cert. to CSA Std. C22.2 No.250.0
- Suitable for damp locations
- RoHS compliant

CANOPY OPTIONS

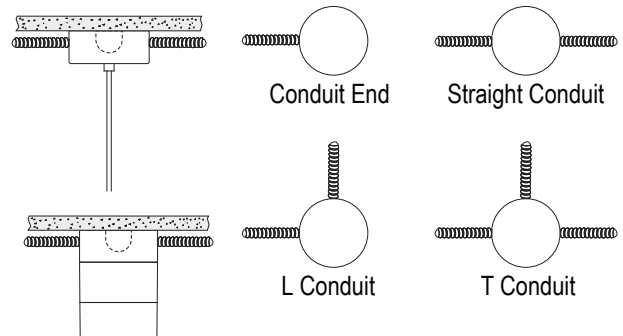
Flat Canopy For Recessed J-box

If J-box is recessed (3" octagon, 4" octagon and 4" round), a 4.5" flat canopy is provided for mounting to recessed junction box in white or black powder coat painted finish.

Conduit Deep Canopy For Surface Mount J-box

If standard 4" octagonal J-box is surface mounted, a Ø5.97" round x 2.38" deep canopy with conduit cutout is provided for mounting. Conduit cutout canopy has 4 key slots, one in each side, and can be configured to accommodate any ceiling layout using 1/2" or 3/8" conduit. Conduit cutout canopy is provided white and black powder coat painted finish.

Conduit Mounting Example



MOUNTING

Cable Pendant Mount

White/black cable is provided in length specified (4' standard). Installers can cut the cable in the field to desired length.

Notes:

- For 4", the cable and aircraft cable is combined in one pipe.
- For 6" and 8", the cable and aircraft cable are separated.

Stem Pendant Mount

Ø12/25" steel stem is provided in length specified (4' standard) and is provided in white or black finish.

Surface Mount

Surface mount to recessed or surface mounted junction box.

For Recessed J-box



Cable Pendant 4" Cable Pendant 6" / 8" Stem Pendant 4" / 6" / 8"



4" / 6" / 8" Surface Mount

For Surface Mount J-box



Cable Pendant 4" Cable Pendant 6" / 8" Stem Pendant 4" / 6" / 8"



4" Surface Mount



6" Surface Mount



8" Surface Mount

EMERGENCY OPTIONS

Optional high voltage 8W emergency LED driver EM-H08170-LBF can be provided. When AC power fails it immediately , switches to the emergency mode, operating for lighting up to 120 minutes. When AC power is restored, it automatically returns to the charging mode which meets critical life-safety lighting requirements.

For more info or spec sheet, please visit our website or contact sales.

Emergency Lumen Output:

Fixture Efficacy	Output Power 8w
80lm/w	640 Lumens

Canopy With Indicator



Ordering Information

Example: MELO04R-SP30901-10D-36-WH-WH

MELO	04	R	SP	30	90	1	10D
1	2	3	4	5	6	7	8
-			36	-		WH	WH
			9			10	11

1. Series

- MELO

2. Size

- 04 - 4inch 06 - 6inch 08 - 8inch

3. Shape

- R - Round

4. Power

- SP - Wattage Selectable
 25W/18W/12W for 4inch
 40W/30W/20W for 6inch
 58W/44W/29W for 8inch

5. CCT

- 27 - 2700K 30 - 3000K
 35 - 3500K 40 - 4000K

6. CRI

- 80 - 80+ CRI (Standard) 90 - 90+ CRI (Optional)

7. Voltage

- 1 - 120-277V

8. Dimming Options

- 10D - Dims to 10%
(Standard) 01D - Dim to 1%
(Optional)
- TRD - TRIAC Dimming
(Optional)

9. Beam Angle

- 15 - 15° 24 - 24°
 36 - 36° 60 - 60°

10. Baffle

- WH - White BK - Black
 GD - Golden CM - Chrome



11. Finish

- WH - White BK - Black

* White and black finish are standard. Custom color is available for a premium setup fee. Consult customer service for additional information.

Installation (ordered separately)

FOR RECESSED JUNCTION BOX

- Surface Mount Aircraft cable pendant Mount
 Rigid stem pendant Mount

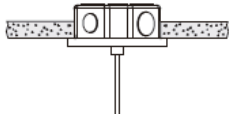
FOR SURFACE MOUNTED JUNCTION BOX

- Surface Mount Aircraft cable pendant Mount
 Rigid stem pendant Mount

* Please choose the desired mounting accessories in the following accessory table.

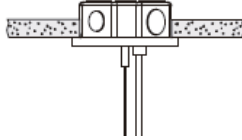
Accessories (ordered separately and field installed)

FOR RECESSED JUNCTION BOX



MELO-PMK-AC-RM-4-4FT-WH

Aircraft cable mount for 4" MELO, 4ft long cable, white (recessed junction box)

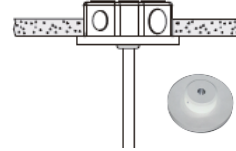


MELO-PMK-AC-RM-6-4FT-WH

Aircraft cable mount for 6" MELO, 4ft long cable, white (recessed junction box)

MELO-PMK-AC-RM-8-4FT-WH

Aircraft cable mount for 8" MELO, 4ft long cable, white (recessed junction box)



MELO-PMK-RS-RM-4-4FT-WH

Rigid stem mount for 4" MELO, 4ft long stem, white (recessed junction box)

MELO-PMK-RS-RM-6-4FT-WH

Rigid stem mount for 6" MELO, 4ft long stem, white (recessed junction box)

MELO-PMK-RS-RM-8-4FT-WH

Rigid stem mount for 8" MELO, 4ft long stem, white (recessed junction box)



MELO-SMK-SM-RM-4-WH

Surface mount for 4" MELO, white (recessed junction box)

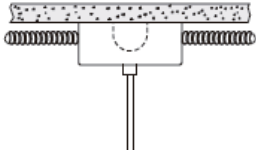
MELO-SMK-SM-RM-6-WH

Surface mount for 6" MELO, white (recessed junction box)

MELO-SMK-SM-RM-8-WH

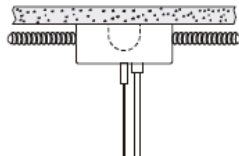
Surface mount for 8" MELO, white (recessed junction box)

FOR SURFACE MOUNTED JUNCTION BOX



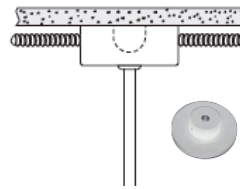
MELO-PMK-AC-SM-4-4FT-WH

Aircraft cable mount for 4"
MELO, 4ft long cable, white
(surface mounted junction box)



MELO-PMK-AC-SM-6-4FT-WH

Aircraft cable mount for 6"
MELO, 4ft long cable, white
(surface mounted junction box)



MELO-PMK-RS-SM-4-4FT-WH

Rigid stem mount for 4"
MELO, 4ft long stem, white
(surface mounted junction box)

MELO-PMK-AC-SM-8-4FT-WH

Aircraft cable mount for 8"
MELO, 4ft long cable, white
(surface mounted junction box)

MELO-PMK-RS-SM-6-4FT-WH

Rigid stem mount for 6"
MELO, 4ft long stem, white
(surface mounted junction box)

MELO-PMK-RS-SM-8-4FT-WH

Rigid stem mount for 8"
MELO, 4ft long stem, white
(surface mounted junction box)



MELO-SMK-SM-SM-4-WH

Surface mount for 4" MELO, white
(surface mounted junction box)

MELO-SMK-SM-SM-6-WH

Surface mount for 6" MELO, white
(surface mounted junction box)

MELO-SMK-SM-SM-8-WH

Surface mount for 8" MELO, white
(surface mounted junction box)

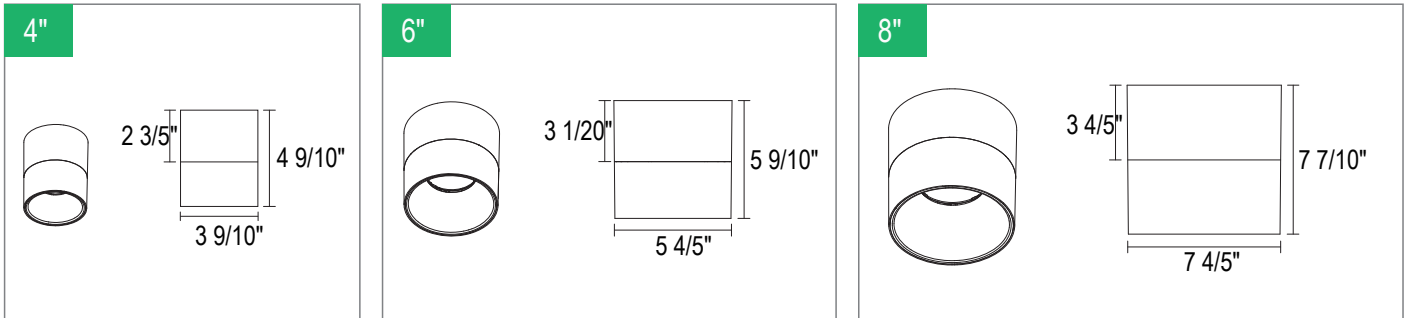


EBU-H08170

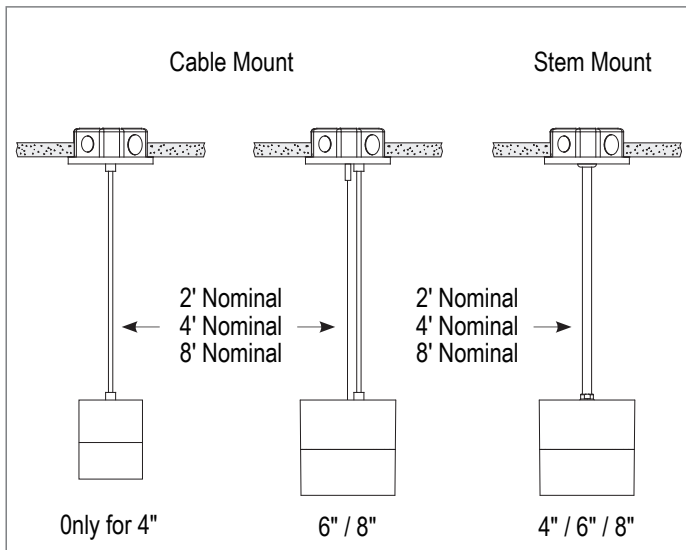
8W Emergency Battery
Back-up (ordered separately
and field installed)

* Emergency battery back-up is for ambient temperatures of 32°F -77°F (0 °C -25°C).

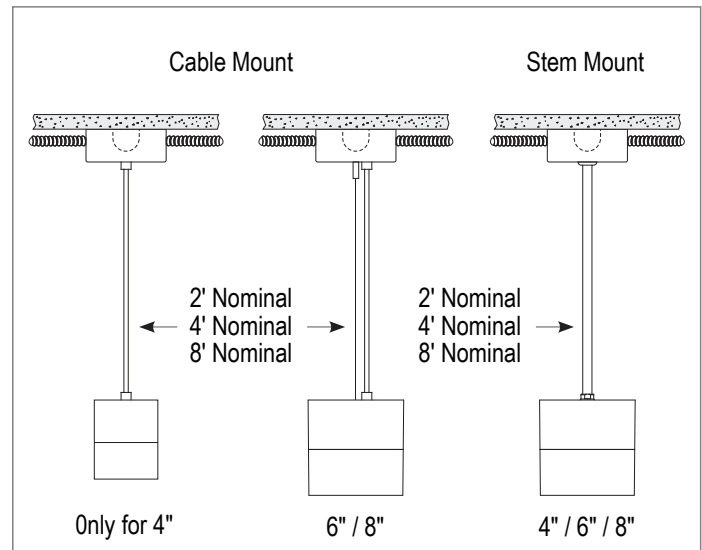
DIMENSIONS



For use with recessed J-boxes



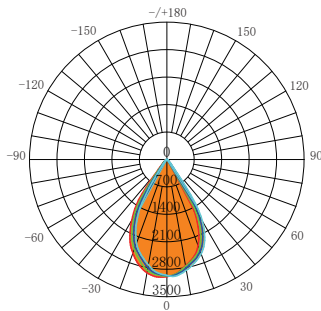
For use with surface mounted J-boxes



PHOTOMETRY

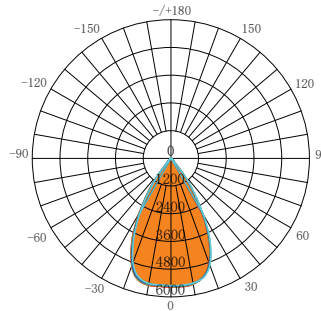
All published luminaire photo metric testing performed to IESNA LM-79-08 standards by a NVLAP certified laboratory. IESNA LM-79-08 specifies the entire luminaire as the source resulting in a fixture efficiency of 100%. Result may vary per actual order.

4" / 3000K / 60°



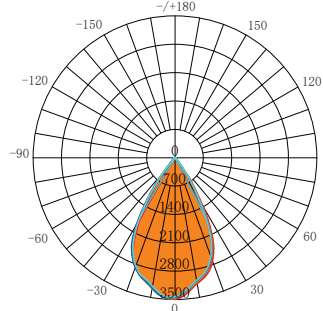
AVERAGE BEAM ANGLE(50%): 61.0°
 Lumens: 2612.6 Lm UNIT :cd
 Watts: 25 W — C0 /180, 61.0°
 LPW: 103.94 Lm/W — C30 /210, 61.1°
 CCT: 3000K — C60 /240, 61.1°
 — C90 /270, 60.7°

6" / 3000K / 60°



AVERAGE BEAM ANGLE(50%): 59.6°
 Lumens: 5046.4 Lm UNIT :cd
 Watts: 45 W — C0 /180, 59.5°
 LPW: 111.38 Lm/W — C30 /210, 59.5°
 CCT: 3000K — C60 /240, 59.6°
 — C90 /270, 59.6°

8" / 3000K / 60°



AVERAGE BEAM ANGLE(50%): 57.7°
 Lumens: 6000.6 Lm UNIT :cd
 Watts: 60 W — C0 /180, 57.5°
 LPW: 95.85 Lm/W — C30 /210, 57.8°
 CCT: 3000K — C60 /240, 58.0°
 — C90 /270, 57.5°

PERFORMANCE DATA

Lumen values are measured by third party certified laboratories performed in accordance with IESNA LM-79-08 as well as Lighting Facts listed.

Diameters	4inch/6inch/8inch
Wattage	25W/18W/12W for 4inch 40W/30W/20W for 6inch 58W/44W/29W for 8inch
Voltage	120-277V
Efficacy @3000K	2600lm@25W 4200lm@40W 6000lm@58W
Installation	Pendant / Surface Mount
Controls (optional)	Emergency Battery Back-up

Warranty

Five year limited warranty.

Note:

Specifications subject to change without notice.