

SUITABLE FOR MODEL



SAFETY INSTRUCTIO



READ CAREFULLY BEFORE INSTALLING FIXTURE. PLEASE KEEP THIS MANUAL FOR FUTURE USE
Fixtures must be wired in accordance with the National Electrical Code and all applicable local codes. Proper grounding is required for safety.

THIS PRODUCT MUST BE INSTALLED IN ACCORDANCE WITH THE APPLICATION CODE BY A PERSON FAMILIAR WITH THE CONSTRUCTION AND OPERATION OF THE PRODUCT AND THE HAZARDS INVOLVED.

MAKE CERTAIN POWER IS OFF BEFORE INSTALLING OR MAINTAINING FIXTURE. CHECK THAT VOLTAGE IS COMPATIBLE WITH FIXTURE DRIVER. USE APPROVED CONNECTORS FOR ALL ELECTRICAL CONNECTIONS.

MAINTENANCE CAUTION

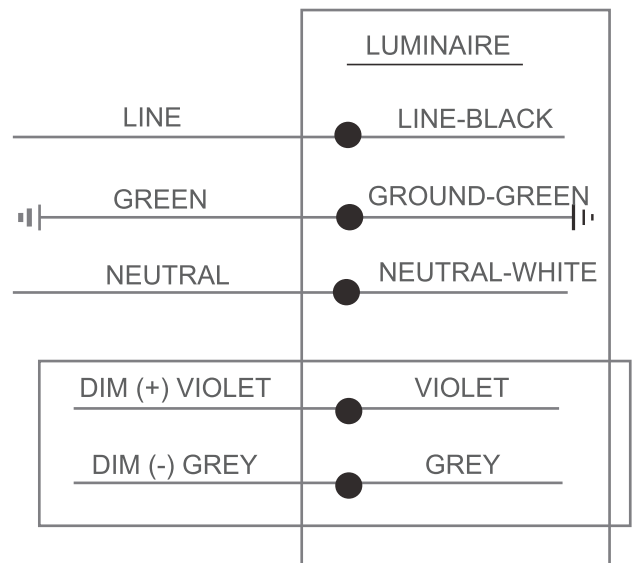


1. Review the wire connection before beginning, and make sure fixture is grounded properly.
2. For lighting controls, follow control instructions carefully.
3. Turn power off and wait for fixture to cool before performing maintenance.
4. Maintenance must be done by professionals.

WIRE CONNECTION

Universal Voltage permits operation at 120VAC thru 277VAC, 50 or 60 Hz.

- a. Connect the black luminaire lead to the supply lead.
 - b. Connect the white luminaire lead to the neutral supply lead.
 - c. Connect the green or green/yellow ground lead to the green supply lead.
- a. If Dimming is an option; connect the violet dimming positive lead to the supply dimming positive lead. If dimming is not being used, ensure to cap off the violet lead.
 - b. If Dimming is an option; connect the grey dimming negative lead to the supply dimming negative lead. If dimming is not being used, ensure to cap off the grey lead.



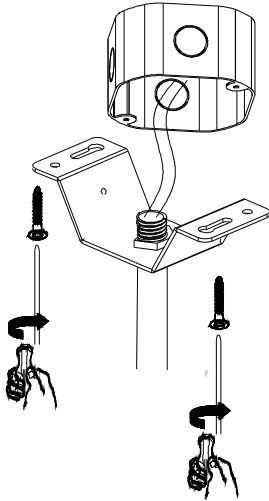
INSTALLATION

WARNING

Risk of injury or damage. Make certain power is OFF before installing or maintaining fixture.

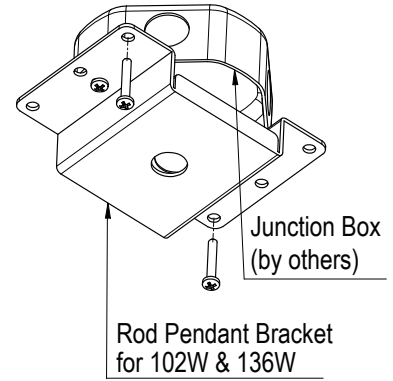
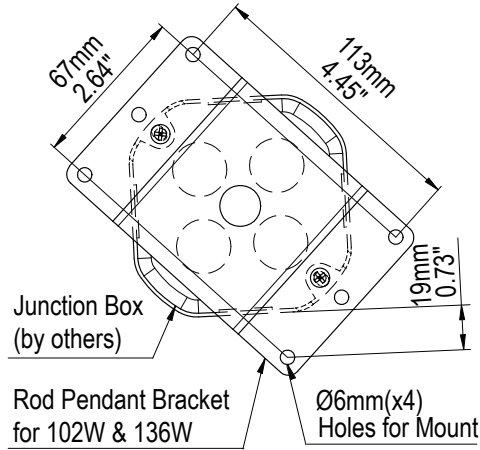
<p>2x 1x 1x 1x 1x</p>	<p>1 Thread the ceiling bracket through the rod and tighten the nut</p>
<p>2 Thread the upper disc, the small ring and the power cord from the bottom of the rod and screw the rod onto the lamp</p>	<p>3 Connect the power cord of the lamp to the mains in the J-box</p> <p>0-10V DIMMING (Note: cap off 0-10V dimming wires if not used)</p> <p>White = Neutral Black = Live Green = Ground Purple = Dim (+) Pink or Grey = Dim (-)</p>

4 Lock the ceiling support to the J-box

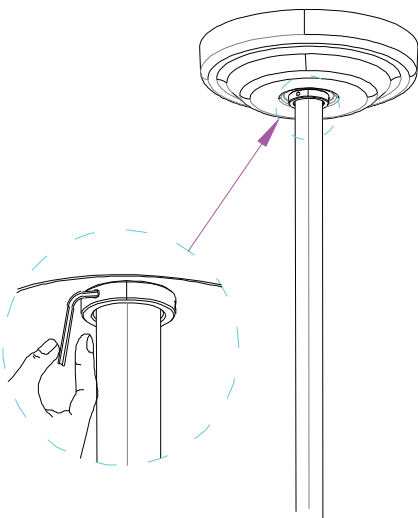


For 102W & 136W:

First, secure the bracket to the JBOX, then use the four 6mm holes on the outer side to fasten the bracket to the wall or support structure.



5 Tighten the small ring to counter the ceiling cover



6 Clean the lamp surface after installation

