



MINI CARLO LED ACCENT LIGHT



PRODUCT DESCRIPTION

The MINI CARLO Accent Light is a compact and versatile LED accent light, designed to provide precise illumination. Its slim profile allows it to blend seamlessly into any environment. The fixture is 360° rotatable and horizontally 180° tiltable, offering exceptional flexibility for directing light where it's needed. It comes with various accessories, including retractable shrouds and extended mounting brackets for broader coverage of vertical surfaces. Multiple beam patterns are available, including oval beam angles (35° x 15°), delivering efficient, controlled lighting that highlights architectural features and landscapes while minimizing light spill. Rated IP65.

FEATURES

- Heavy duty cast aluminum housing
- Tempered glass front cover
- Polycarbonate Lens
- AkzoNobel powder coating
- Multiple mounting mechanisms
- Marine grade treatment available

ELECTRICAL SYSTEM

- Input Voltage: 120-277V/AC, 50/60Hz
- Power Factor: > 0.9 at full load
- Total Harmonic Distortion: < 20% at full load

PERFORMANCE

CRI

80

CCT

2700K, 3000K, 4000K, 5000K

Projected Lifetime

L70 - 100,000 Hours

Working Temperature

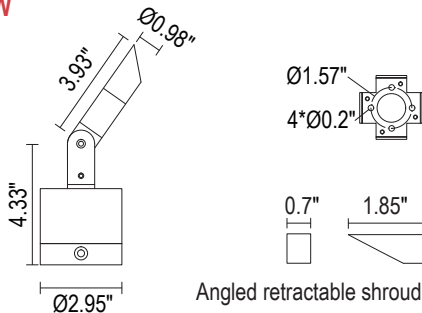
-40°C ~ 45°C (-40°F ~ 113°F)

Certifications

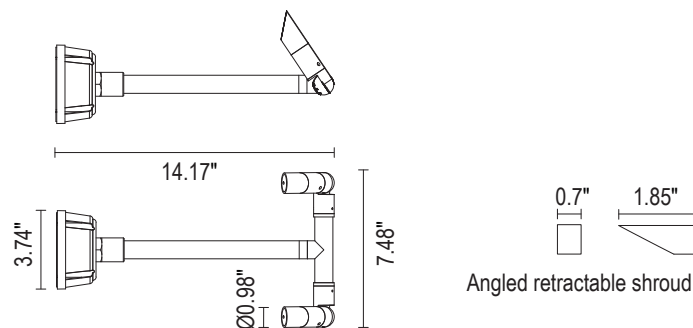
- cETLus
- IP65 rated
- RoHS compliant

DIMENSION

3W



3W*2



MOUNTING



Canopy Cover



Canopy with extended arm






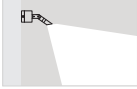
Ground stake



Tree strap

Ordering Information

Example: CARLO-C03301-30-CN-AS-BK-1.8FT

Name	-Wattage	CCT	Voltage	- Beam Angle	- Mounting	- Shroud	- Housing Color	- Cable Length	-Option
CARLO	C03 3W	27 2700K	1 120-277V/AC	15 15°	CN Canopy cover *Ground Mount 	NS No Shroud 	BK Black RAL9011 * Black (standard color) Other finish colors are available at an additional charge.	1.8FT* * 1.8 FT cable is standard. Other cable lengths are available at an additional charge.	Blank None M Marine ambient corrosion resistance
		30 3000K		25 25°					
		40 4000K		30 30°	AS Angled Retractable Shroud 				
		50 5000K		3515 H35° x V15°		*Wall Mount 			
	C3x2 3W *2	27 2700K	1 120-277V/AC	15 15°	EAR Extended Arm				
		30 3000K		25 25°					
		40 4000K		30 30°					
		50 5000K		3515 H35° x V15°					

WH
White
RAL9016

GY
Gray
RAL7012

SL
Silver
RAL9006

BZ
Mineral bronze

Notes:

* Black finish is standard. Customized color is available at an additional charge.

* Standard cable length is 1.8FT. Other cable lengths are available at an additional charge.

Accessories (Ordered separately)



HOFL-GDSK-AL
Aluminum Ground stake
Max loading ≤10kg
Incapable in corrosive area



HOFL-TRSP
Tree strap
Clamping area
Ø 5.9" ~ 11.9"

PERFORMANCE DATA

LUMEN OUTPUT

Lumen values are measured by third party certified laboratories performed in accordance with IESNA LM-79-08 as well as Lighting Facts listed.

Watts	Beam Angle	Delivered Lumen	CCT	CRI	Watts	Beam Angle	Delivered Lumen	CCT	CRI
3W	15 °	46	3000K	80	3W*2	15 °	82	3000K	80
	25 °	50	3000K	80		25 °	100	3000K	80
				30 °		114	3000K	80	
				H35 ° x V15 °		94	3000K	80	

WARRANTY

Five years limited warranty.

Specifications subject to change without notice.