



HOLLY RGB LED FLOOD LIGHT



PRODUCT DESCRIPTION

The HOLLY LED Flood Light is a high-efficiency outdoor luminaire with a sleek, round housing design. With a variety of beam angle choices and a dynamic RGBTW blend (2700K-6500K), it provides endless possibilities for creating the perfect ambiance in any space. Constructed from die-cast aluminum, with a silicone rubber gasket and AkzoNobel powder coating, it ensures long-lasting durability in harsh outdoor environments. Rated IP65 and ±90° horizontally tiltable, along with various accessories, it is ideal for a wide range of installation applications.

FEATURES

- Heavy duty cast aluminum housing
- Tempered glass lens
- Multiple mounting mechanisms
- Various beaming angles
- Marine grade treatment available

ELECTRICAL SYSTEM

- Input Voltage: 24VDC, 120-277V, 50/60Hz
- Power Factor: > 0.9 at full load
- Total Harmonic Distortion: < 20% at full load

PERFORMANCE

CRI

80

CCT

2700K, 3000K, 4000K, 5000K, RGBW

Projected Lifetime

L70 - 100,000 Hours

Working Temperature

26W: -40-131°F (-40-55°C)

42W: -40-113°F (-40-45°C)

80W: -40-113°F (-40-45°C)

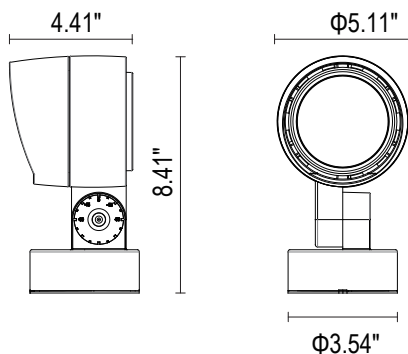
112: -4-104°F (-20-40°C)

Certifications

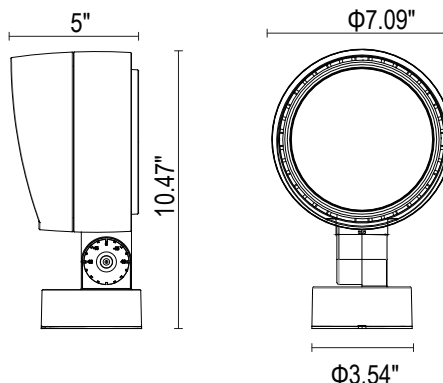
- cETLus
- IP65 rated
- RoHS compliant

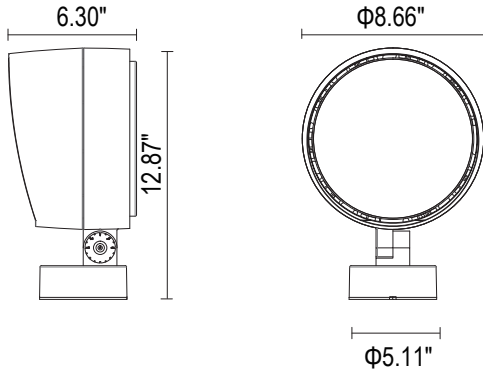
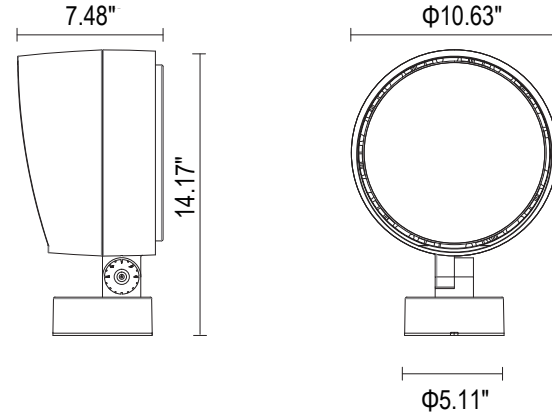
DIMENSION

R26 with Junction box



R42 with Junction box



R80 with Junction box

R112 with Junction box


Ordering Information

Example: HOFL-R26-RGBW3024V-DMX-24-CN-BK-1.8FT

| Name | -Wattage | -CCT | Voltage | -Controls | -Beaming Angle | -Mounting | -Faceplate Finish | - Cable Length | -Option |
|------|------------|---|-------------------------|--------------------------|--------------------|---|--|---|--|
| HOFL | R26 -26W | RGBW30 - RGB and 3000K | 24V -24VDC ¹ | DMX DMX512 enabled | 8 - 8° | CN - Canopy cover | BK - Black RAL9011 | 1.8FT* | Blank -None |
| | R42 -42W | | | | 15 - 15° | | | | |
| | | RGBW40 - RGB and 4000K | | | 24 - 24° | KNR - Knuckle with 1/2 threaded receptacle | * Black (standard color) Other finish colors are available at an additional charge. | * 1.8 FT cable is standard. Other cable lengths are available at an additional charge | M - Marine ambient corrosion resistance |
| | | | 40 - 40° | | | | | | |
| | R80 -80W | RGBW50 - RGB and 5000K | 1-120-277V | | 60 - 60° | KNS - Knuckle with 1/2 threaded stem | WH - White RAL9016 GY - Gray RAL7012 BZ - Mineral bronze SL - Silver RAL9006 | | |
| | R112 -112W | | | | 15X30 - 30°x15° | | | | |
| | | RGBTW ² - RGB and 2700K-6500K tunable | | | | YK - Yoke | | | |

Notes:

- R26 and R42 are 24V constant voltage. LED drivers can be chosen in the following accessory table or supplied by customer. R80 and R112 are 120-277V.
- 8° is not available for RGBTW.

* Black finish is standard. Custom color is available at an additional charge.

* Standard cable length is 1.8FT. Other cable lengths are available at an additional charge.

Housing Color



Black RAL9011



White RAL9016



Gray RAL7012



Mineral bronze



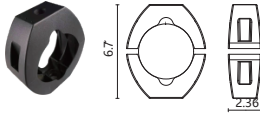
Silver RAL9006

Accessories (Ordered separately)



HOFL-GDSK-AL¹

Aluminum Ground stake
 Max loading ≤10kg
 Incapable in corrosive area



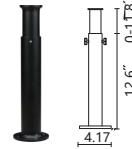
HOFL-PCP-4-BK

Pole clamp balck for
 one or two fixtures
 Pole Dia. 3.7"~3.9"



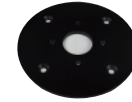
HOFL-TRSP-BK²

Tree strap black
 Clamping area
 Ø 5.9"~11.9"



HOFL-ADJSM-BK

Adjustable Stem
 black Up to 11.8"



JBOX-PLATE01-BK

4" recessed
 Electrical box
 mounting plate
 black for R26/R42



HOFL-HCL-50

Aluminum Honeycomb
 louver , Dia 50
 for R26/R42/R80



HOFL-CCL50

Polycarbonate
 Concentric louver
 Dia 50, for R26/R42/R80



HOFL-FV-26-BK

Full visor black
 Dia 5.31"x3.94"

JBOX-PLATE02-BK

4" recessed
 Electrical box
 mounting plate
 black for R80/R112

HOFL-HCL-62

Aluminum Honeycomb
 louver , Dia 62
 for R112

HOFL-CCL62

Polycarbonate
 Concentric louver
 Dia 62, for R112

HOFL-FV-42-BK

Full visor black
 Dia 7.28"x5.12"



ELG-100-24

100W led driver
 input voltage: AC100-305V,
 output voltage: 24V DC

HOFL-FV-86-BK

Full visor black
 Dia 8.86"x6.3"

ELG-150-24

150W led driver
 input voltage: AC100-305V,
 output voltage: 24V DC

HOFL-FV-120-BK

Full visor black
 Dia 10.83"x7.48"

Notes:

1. Ground stake is not suggested to be used for R80 and R112.
2. Tree strap is not suggested to be used for R112.

MOUNTING



Canopy Cover



Yoke



Knuckle
 with NPT 1/2"
 threaded
 receptacle



Knuckle
 with NPT 1/2"
 threaded stem



Ground stake



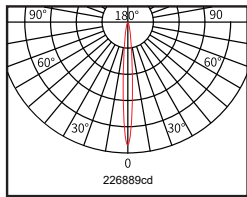
Pole clamp



Tree strap

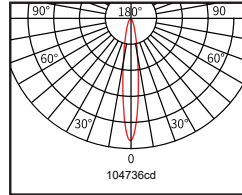
PHOTOMETRY

All published luminaire photo metric testing performed to IESNA LM-79-08 standards by a NVLAP certified laboratory.



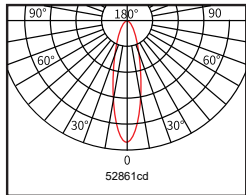
8°/30K

| H(m) | ø(m) | lx(MAX) |
|------|------|---------|
| 2 | 0.26 | 56696 |
| 4 | 0.51 | 14174 |
| 6 | 0.77 | 6300 |
| 8 | 1.03 | 3544 |



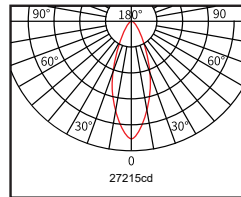
15°/30K

| H(m) | ø(m) | lx(MAX) |
|------|------|---------|
| 2 | 0.52 | 26181 |
| 4 | 1.04 | 6545 |
| 6 | 1.57 | 2909 |
| 8 | 2.09 | 1636 |



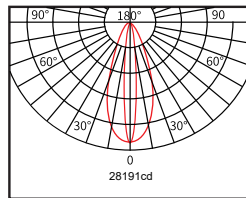
24°/30K

| H(m) | ø(m) | lx(MAX) |
|------|------|---------|
| 2 | 0.89 | 13214 |
| 4 | 1.78 | 3303 |
| 6 | 2.66 | 1468 |
| 8 | 3.55 | 826 |



40°/30K

| H(m) | ø(m) | lx(MAX) |
|------|------|---------|
| 2 | 1.28 | 6802 |
| 4 | 2.57 | 1700 |
| 6 | 3.86 | 756 |
| 8 | 5.15 | 425 |



30°x15°/30K

| H(m) | ø(m) | lx(MAX) |
|------|------|---------|
| 2 | 0.56 | 7045 |
| 4 | 1.12 | 1761 |
| 6 | 1.68 | 783 |
| 8 | 2.25 | 440 |

PERFORMANCE DATA

LUMEN OUTPUT

Lumen values are measured by third party certified laboratories performed in accordance with IESNA LM-79-08 as well as Lighting Facts listed.

| Watts | Delivered Lumen | CCT | CRI |
|-------|-----------------|-----------|-----|
| 26W | 920lm | RGB+3000K | 80 |
| 42W | 1500lm | RGB+3000K | 80 |
| 80W | 2660lm | RGB+3000K | 80 |
| 112W | 2860lm | RGB+3000K | 80 |

Warranty

Five years limited warranty.

Specifications subject to change without notice.