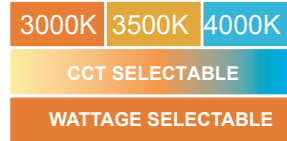




OPAL LED CANOPY LIGHT



PRODUCT DESCRIPTION

The OPAL round led canopy light is powered by advanced LEDs, featured by wattage and CCT selectable. Injection die-cast aluminium housing. Textured architectural bronze powdercoat finish. It can be used in many canopy and parking garage applications.

FEATURES

- Die-cast aluminum housing
- 3000K, 3500K and 4000K selectable
- Wattage selectable
- Motion sensor available

ELECTRICAL SYSTEM

- Input voltage: 120-347V, 50/60Hz
- Power Factor: >0.9
- Total Harmonic Distortion: <20% at full load
- Working Temperature: -40 - 104°F (-40 - 40°C)

PERFORMANCE

CRI

80

CCT

3000K, 3500K, 4000K selectable

Dimming

Driver is 0-10V Dimming

Note: Dimming wire is connected to sensor receptacle. Please ask an electrician to disconnect the dimming wires if they need to be used for other purposes.

Projected Lifetime

L70 -100,000 Hours

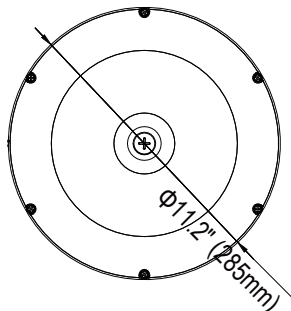
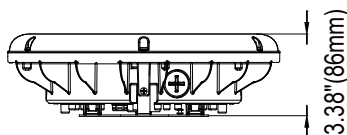
Working Temperature

-40 - 104°F (-40 - 40°C)

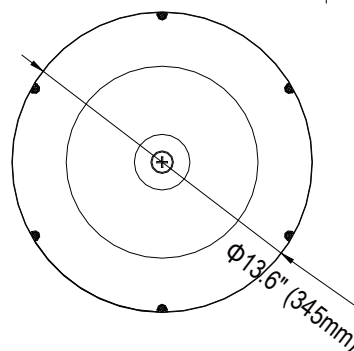
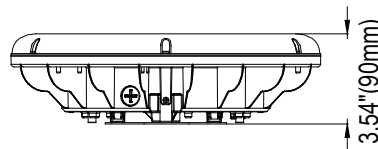
Certifications

- cUL listed
- Suitable for wet locations
- IP65 rated
- RoHs compliant

DIMENSION



45W/60W/80W



80W/100W/120W

Ordering Information

Example: OCAN-80SP-SW8-SRP-BZ

| Name | Watts | - CCT | Voltage | - Control | - Finish |
|-------------|---|--|-------------------|--|--------------------|
| OCAN | 80SP - Selectable Power 45W/60W/80W ¹ | SW - Selectable White 3000K/3500K/4000K ³ | 8-120-347V | SRP - With Sensor Receptacle | BZ - Bronze |
| | 120SP - Selectable Power 80W/100W/120W ² | | | | |

Notice:

1. 80W is default setting.
2. 120W is default setting.
3. 3500K is default setting.

* Bronze finish is standard. Custom color is available for a premium setup fee. Consult customer service for additional information.

Accessories (Ordered separately)



HD06R
Remote control for sensor



HD07VR-MH-1
Microwave Motion Sensor

PERFORMANCE DATA

LUMEN OUTPUT

Lumen values are measured by third party certified laboratories performed in accordance with IESNA LM-79-08 as well as Lighting Facts listed.

| Nominal Watts | Lumen Output | AC Input 120V | CCT | CRI | LPW |
|---------------|--------------|---------------|-------|-----|-----|
| 80W | 9600 | 0.67A | 4000K | 80 | 120 |
| 120W | 14400 | 1.00A | 4000K | 80 | 120 |

MICROWAVE DIMMING SENSOR SETTING(HD07VR-MH-1)

Sensor data can be precisely set for each specific application by a remote controller which need to be bought separately.

Detection area

Detection area can be reduced by selecting the combination on the remote controller to fit precisely each application.

Optional Setting: 100%/75%/50%/25%

Default Setting: 100%

Hold time

Refers to the time period the lamp remains at 100% illumination after no motion detected.

Optional Setting: 5S/30S/1min/3min/5min/10min/20min/30min

Default Setting: 20min

Stand-by period

Refers to the time period the lamp remains at a low light level before it completely switches off in the long absence of people. When set to “+∞” mode, the low light is maintained until motion is detected.

Optional Setting: 0S/10S/30S/1min/5min/10min/30min/60min/+∞

Default Setting: +∞

Notes: If just need ON/OFF function, please set the stand-by period in “0S” mode by the remote controller.

Daylight sensor

The sensor can be set to only allow the lamp to illuminate below a defined ambient brightness threshold. When set to Disable mode, the daylight sensor will switch on the lamp when motion is detected regardless of ambient light level. 50lux, 30lux: twilight operation, 10lux, 5lux: darkness operation only. Note that daylight sensor is active only when lamp totally switches off.

Optional Setting: 2Lux/10Lux/30Lux/50Lux/80Lux/120Lux/Disable

Default Setting: Disable

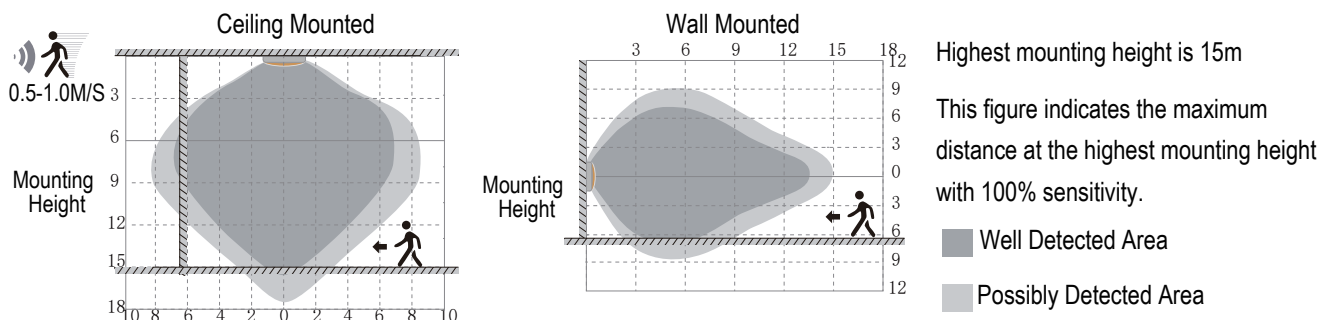
Stand-by dimming level

The low light level you would like to have after the hold time in the long absence of people.

Optional Setting: 10%/20%/30%/50%

Default Setting: 50%

Detection Coverage



WARRANTY

Five year limited warranty.

Note: Specifications subject to change without notice.