

SAFETY INSTRUCTION



READ CAREFULLY BEFORE INSTALLING FIXTURE. PLEASE KEEP THIS MANUAL FOR FUTURE USE.

Fixtures must be wired in accordance with the National Electrical Code and all applicable local codes. Proper grounding is required for safety.

THIS PRODUCT MUST BE INSTALLED IN ACCORDANCE WITH THE APPLICATION CODE BY A PERSON FAMILIAR WITH THE CONSTRUCTION AND OPERATION OF THE PRODUCT AND THE HAZARDS INVOLVED.

MAKE CERTAIN POWER IS OFF BEFORE INSTALLING OR MAINTAINING FIXTURE.

CHECK THAT VOLTAGE IS COMPATIBLE WITH FIXTURE DRIVER. USE APPROVED CONNECTORS FOR ALL ELECTRICAL CONNECTIONS.

MAINTENANCE CAUTION



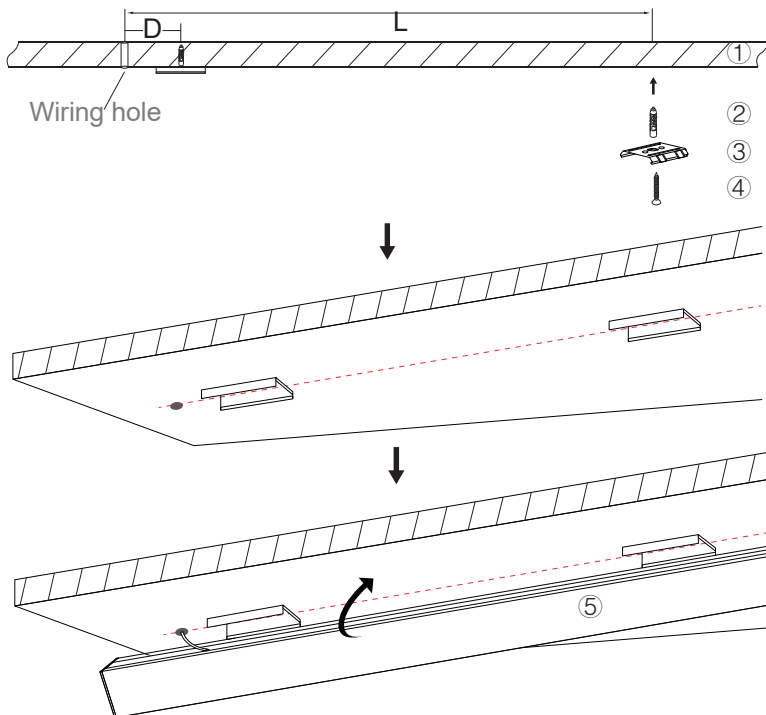
1. Review the wire connection before beginning, and make sure fixture is grounded properly.
2. For lighting controls, follow control instructions carefully.
3. Turn power off and wait for fixture to cool before performing maintenance.
4. Maintenance must be done by professionals.

INSTALLATION

Ceiling Mount



Fixture	1232mm(48.5 inch)	1841mm(72.48 inch)	2449mm(96.42 inch)
L	932mm±5mm(36.69 inch ± 0.2 inch)	1342mm±5mm(52.83 inch ± 0.2 inch)	2000mm±5mm(78.74 inch ± 0.2 inch)
D	50mm ±5mm(φ10mm)(1.97 inch±0.2inch(φ0.39 inch))		



- ① Ceiling
- ② Expansion tube
- ③ Clip
- ④ Self-tapping screw
- ⑤ Lighting fixture

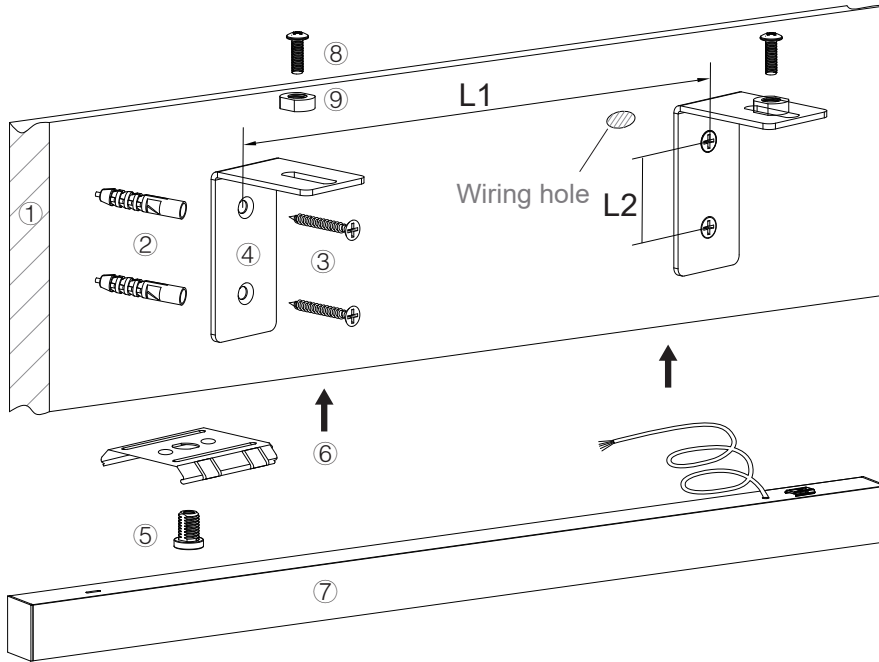
1. Knock expansion tubes into ceiling.
2. Fix clips on ceiling by self-tapping screw.
3. Connect the power cord, fix the luminaire by clips.

Note: clips must be aline to straight line

Wall Mount



Fixture	1232mm(48.5 inch)	1841mm(72.48 inch)	2449mm(96.42 inch)
L1	932mm±10mm(36.69 inch ± 0.39 inch)	1342mm±10mm(52.83 inch ± 0.39 inch)	2000mm±10mm(78.74inch±0.39inch)
L2	30mm(1.18 inch)		



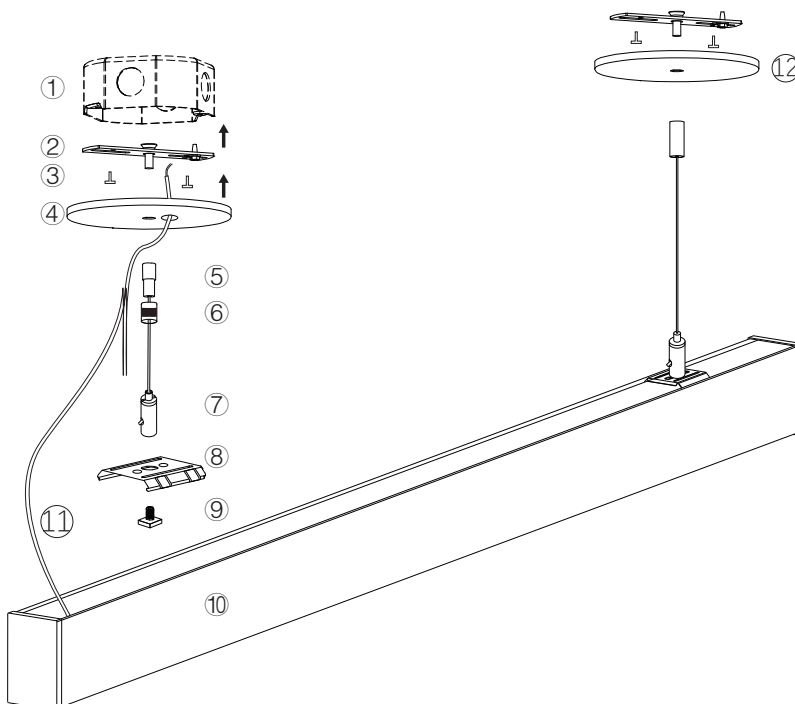
- ① Wall ② Expansion tube
- ③ M3.5 self-tapping screw
- ④ Bracket ⑤ M7 screw bolt
- ⑥ Clip ⑦ Lighting fixture
- ⑧ M4 screw ⑨ M7 nut

1. Knock expansion tubes into wall.
2. Fix bracket onto wall.
3. Insert M7 screw bolt into clip, press clip onto the back of fixture.
4. Fix fixture by M4 screw and M7 nut.

Aircraft Cable Suspension Mount



Fixture	1232mm(48.5 inch)	1841mm(72.48 inch)	2449mm(96.42 inch)
L	932mm±10mm(36.69 inch ± 0.39 inch)	1342mm±10mm(52.83 inch ± 0.39 inch)	2000mm±10mm(78.74inch±0.39inch)



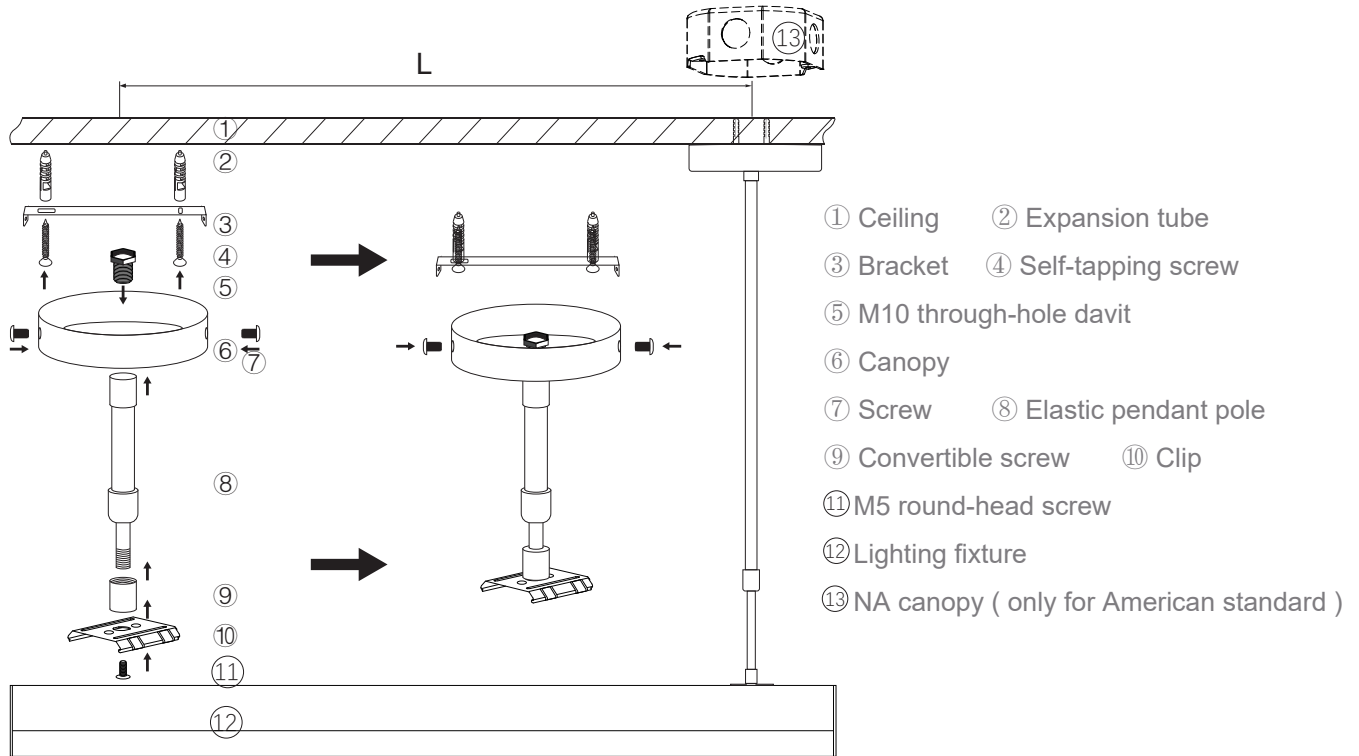
- ① NA canopy ② Fixed bracket
- ③ Screw ④ Double-hole base
- ⑤ Davit ⑥ Screw nut for davit
- ⑦ Wire locker ⑧ Clip
- ⑨ Square-head screw
- ⑩ Lighting fixture
- ⑪ AC cable ⑫ Single-hole base

1. Install NA canopy into ceiling.
2. Fix fixed bracket into canopy.
3. Davit goes through base and fix on the bolt of fixed bracket.
4. AC cable goes base and connect to power.
5. Fix base onto davit by screw nut.
6. Fix clips to fixture.

Rod Suspension Mount



Fixture	1232mm(48.5 inch)	1841mm(72.48 inch)	2451mm(96.5 inch)
L	932mm±10mm(36.69 inch ± 0.39 inch)	1342mm±10mm(52.83 inch ± 0.39 inch)	2000mm±10mm(78.74inch±0.39inch)

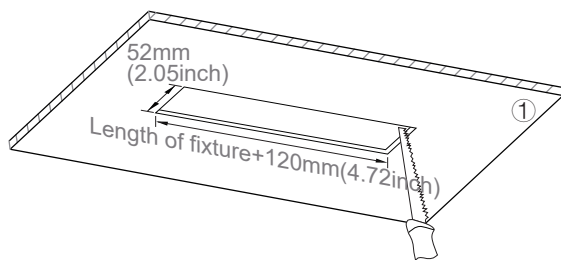


Trimless Recessed A

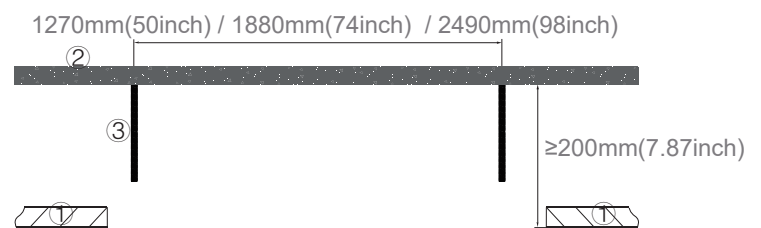


- ① Ceiling ② Concrete ceiling ③ Screw bolt ④ Screw ⑤ Bracket ⑥ Linear light

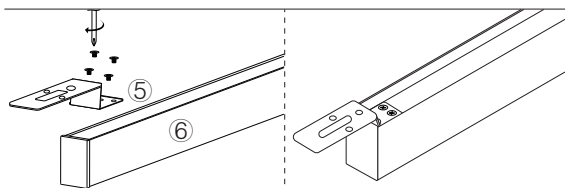
1. Open slot on plasterboard or wood ceiling.



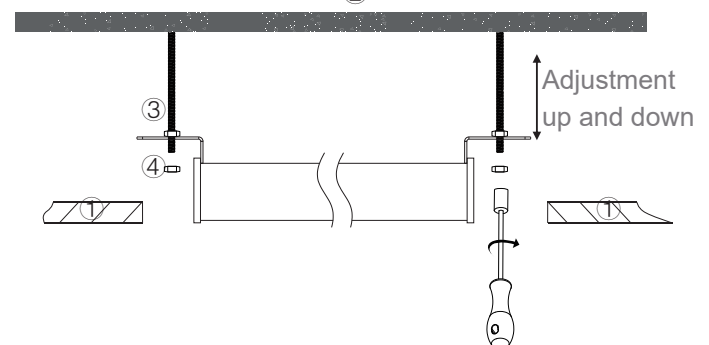
2. Fixed screw bolt.



3. Fixed bracket.



4. Install lighting fixture.



5. Repair ceiling.

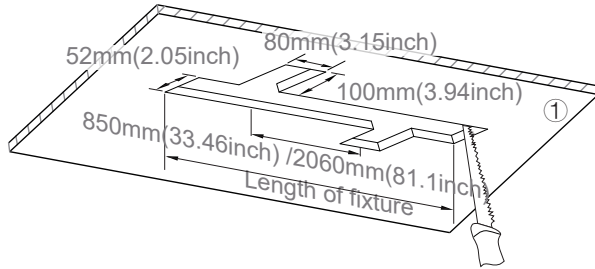


Trimless Recessed B(special for continous mount)

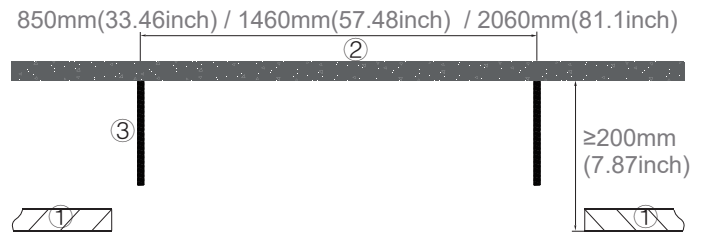


- ① Ceiling ② Concrete ceiling ③ Screw bolt ④ Screw ⑤ Bracket ⑥ Linear light

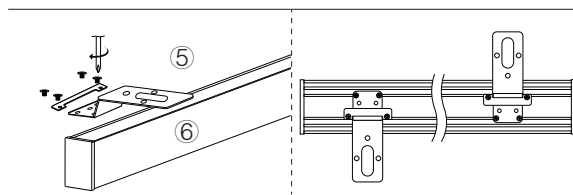
1. Open slot on plasterboard or wood ceiling.



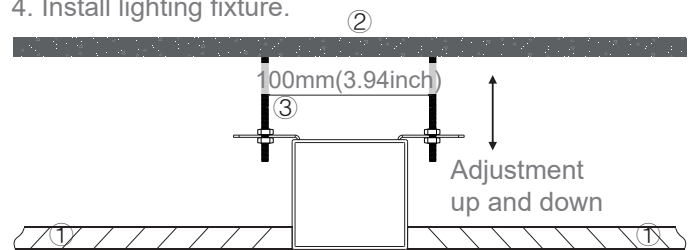
2. Fixed screw bolt.



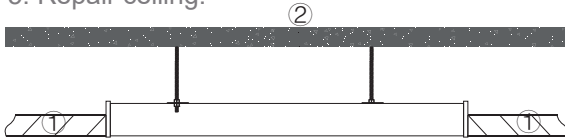
3. Fixed bracket.



4. Install lighting fixture.

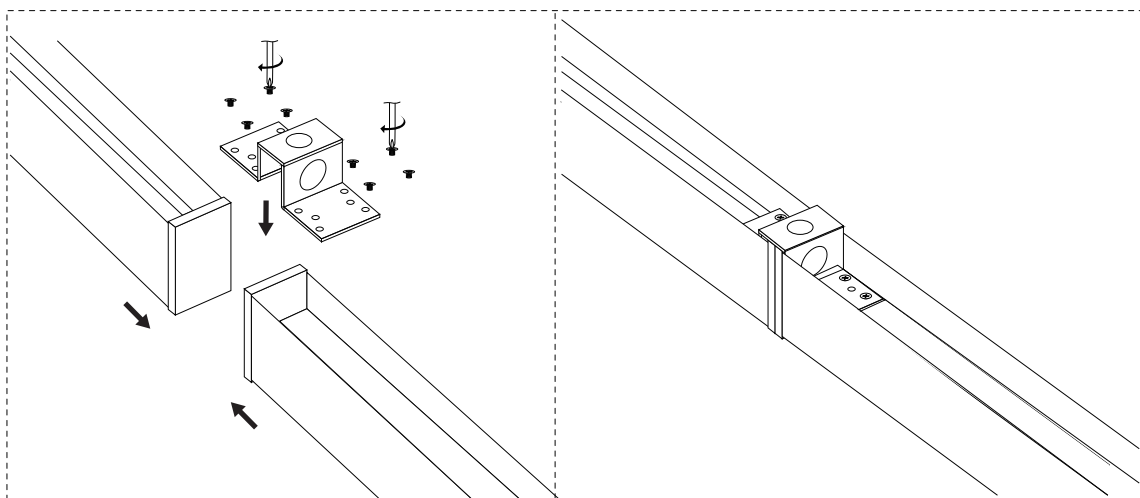


5. Repair ceiling.

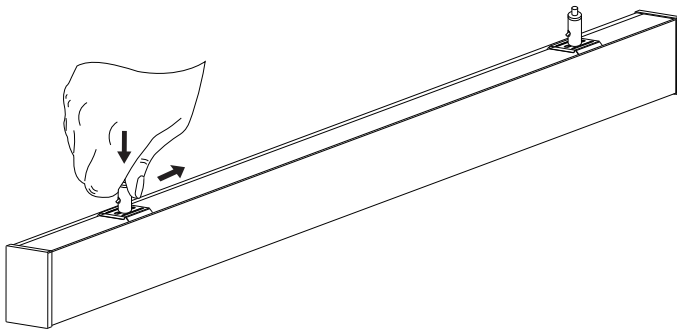


Continous Mount

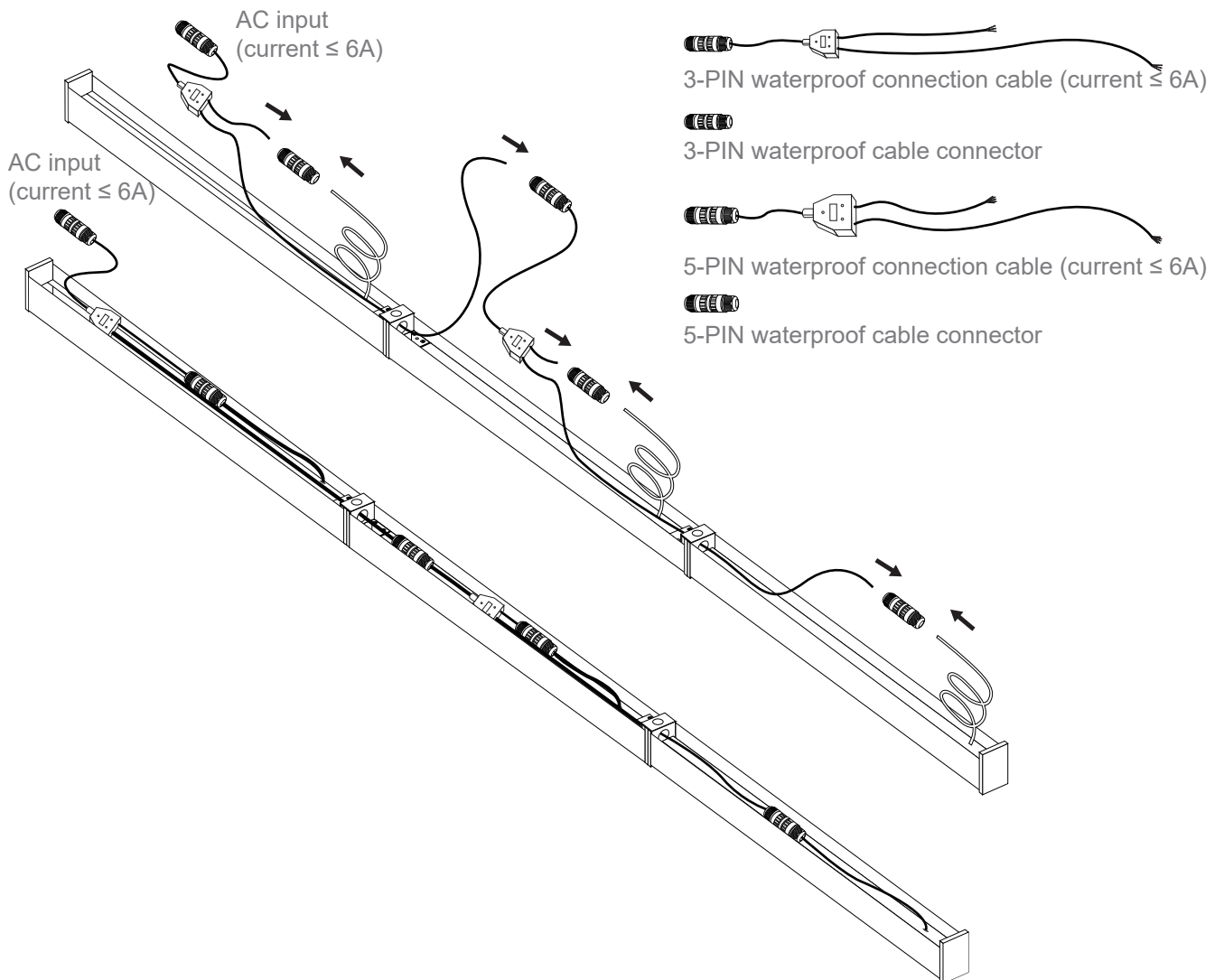
- Put two fixtures together.
- Fix connection bracket on fixture by screws.



Press down here to move clip

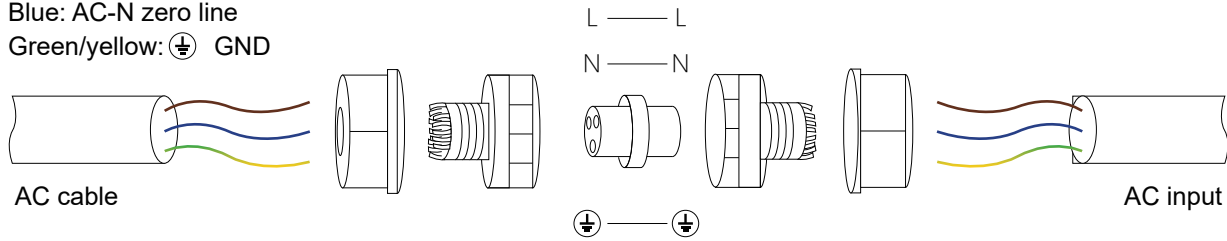


Electric Connection

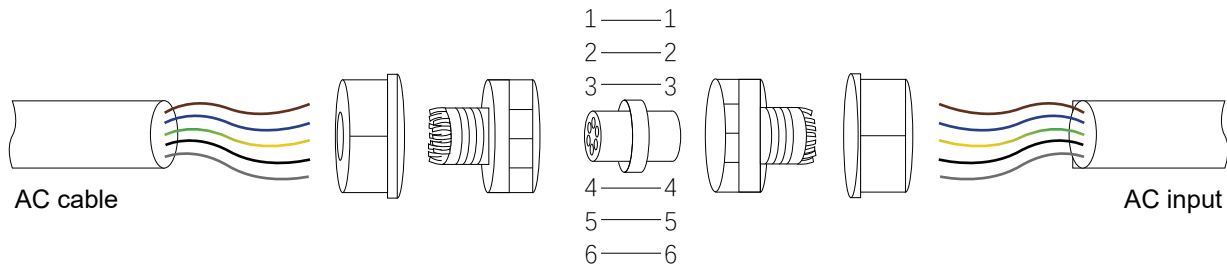


Wiring at waterproof condition

Brown: AC-L live wire
Blue: AC-N zero line
Green/yellow: ⊕ GND

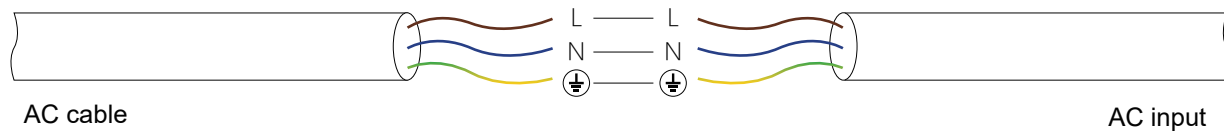


Brown: AC-L live wire
Blue: AC-N zero line
Green/yellow: ⊕ GND
Grey: dimming wire (+)
Black: dimming wire (-)
(do not need to connect black/grey wires if do not need dimming function)



Wiring at dry condition

Brown: AC-L live wire Blue: AC-N zero line Green/yellow: ⊕ GND



Brown: AC-L live wire Blue: AC-N zero line Green/yellow: ⊕ GND
Grey: dimming wire (+) Black: dimming wire (-)
(do not need to connect black/grey wires if do not need dimming function)

