

WET 2" MAGIC LED LINEAR LIGHT



PRODUCT DESCRIPTION

This Wet MAGIC led linear fixture is 1.97" wide. Linear architectural luminaire with a slim and a discrete profile. Available in standard lengths of 4', 6' and 8' that can be joined together in seamless runs of desired length. It is available in suspended, surface, recessed and wall mount configurations. The WET MAGIC is suitable for indoor and outdoor spaces, such as bathrooms, spas, parking garages, soffits and under-canopy installations.

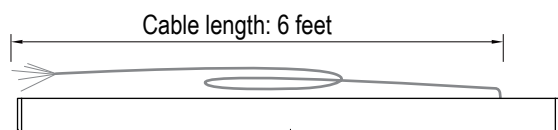
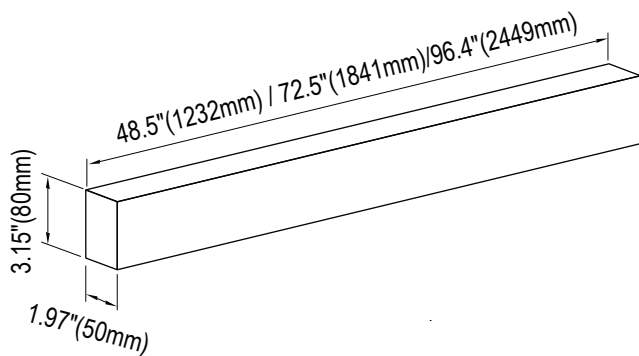
FEATURES

- Comes in lengths of 4', 6' and 8'
- IP65 for wet locations
- Stem pendant, surface, recessed and wall mount
- Continuous run mount

ELECTRICAL SYSTEM

- Input Voltage: 120-277V, 50/60Hz
- Operating temperature range: -4-104°F (-20-40°C)
- Power Factor: > 0.9 at full load
- Total Harmonic Distortion: < 20% at full load

SPECIFICATION



PERFORMANCE

CRI

80

CCT

3000K, 3500K, 4000K

Dimming

0-10V Dimming

Projected Lifetime

L70 - 100,000 Hours

Working Temperature

-4-104°F (-20-40°C)

Certifications

- ETL listed
- Suitable for wet locations
- IP65 rated
- RoHS compliant

Ordering Information

Example: WMAG1220-3135801-D-FDL-WH

WMAG	12	20	-	31	35	80	1	-	D	-	FDL	-	WH
1	2	3		4	5	6	7		8		9		10

1. Series

WMAG

2. Length

12- 4FT 20 - 6FT 24 - 8FT

3. Width

20 - 1.97 Inch

4. Watts

31 - 31W(4ft) 46 - 46W(6ft) 61 - 61W(8ft)

5. CCT

30 - 3000K 35 - 3500K
 40 - 4000K

6. CRI

80 - 80CRI

7. Voltage

1 - 120-277V

8. Light Distribution

D - 100% Downlight

9. Lens Options

FDL - Flush Diffused Lens

10. Finish

WH- White (RAL9003) BK - Black (RAL9004)
 SL - Silver (RAL9006)

Accessories (ordered separately and field installed)



WMAG-PMK-WH
WMAG-PMK-BK

Aircraft Cable Suspension Mount Kits for Dry Ceiling (Including two canopies+ two aircraft cables+two brackets for one fixture)



WMAG-SMK

Surface Mount Kits (Including two brackets for one fixture)



WMAG-RPMK-0306-WH
WMAG-RPMK-0306-BK

Rod Pendant Mount Kits Adjustable length from 30cm to 60cm (Including two Rods, two canopies and two brackets for one fixture)



WMAG-WMK

Wall Mount Kits (Including two brackets for one fixture)



WMAG-RMK

Recessed Mount Kits (Including two brackets for one fixture)



WMAG-CABLE-4FT-5PIN

4FT 5-PIN Connection Cable with a waterproof Connector (current ≤6A)



WPFCNT-5PIN

5-PIN Waterproof Connector



WMAG-CRMK

Continuous Run Mount Kits

PERFORMANCE DATA

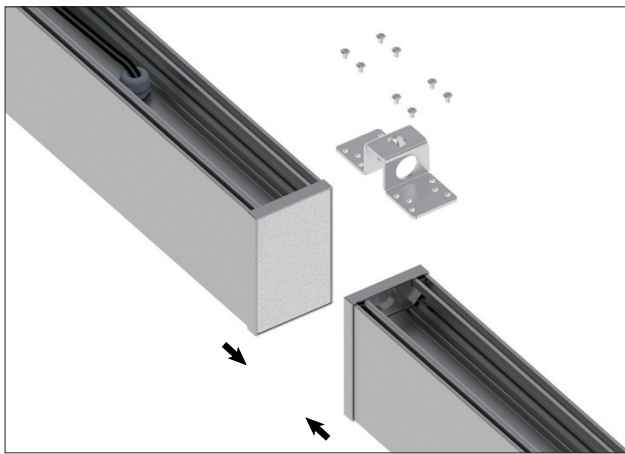
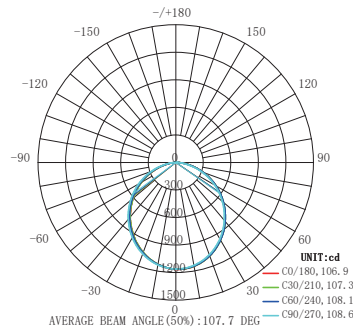
Lumen values are measured by third party certified laboratories performed in accordance with IESNA LM-79-08 as well as Lighting Facts listed.

Lengths	4FT	6FT	8FT
Width	1.97"	1.97"	1.97"
Wattage	31W	46W	61W
Lumen @3500K	3000lm	4300lm	5700lm
Voltage	120-277V (Int.Driver)		
Installation	Suspended / Surface Mount / Recessed Mount / Wall Mount		

PHOTOMETRY

All published luminaire photo metric testing performed to IESNA LM-79-08 standards by a NVLAP certified laboratory. IESNA LM-79-08 specifies the entire luminaire as the source resulting in a fixture efficiency of 100%. Result may vary per actual order.

LUMINOUS INTENSITY DISTRIBUTION DIAGRAM



Warranty

Five year limited warranty.

Specifications subject to change without notice.