

6" ADJ PORLA LED DOWNLIGHT

1500lm



The 6" Porla Recessed LED Downlight has integral driver in a remote driver box. Features in adjustable head with 1500lm. Five CCT selectable. Flexibility to switch color temperature during installation with the slide switch located on the cable. Ideal for a variety of applications for both residential and commercial settings.

TECHNICAL DATA

Wattage	18W
CCT	Selectable 2700K/ 3000K/3500K/ 4000K/5000K
Driver	Triac dimming is standard 0-10V is optional
CRI	90
Input Voltage	120V or 120-277V, 50/60Hz
Projected Lifetime	L70-50,000 Hours
Operating Temp.	-4°F to 104°F (-20°C to 40°C)
Certifications	cETLus conforms to UL Std. 1598 Cert. to CSA Std. C22.2 No.250.0 Suitable for wet locations IC rated RoHs compliant
Power Factor	>0.9 at full load
Harmonic Distortion	<20% at full load

FEATURES

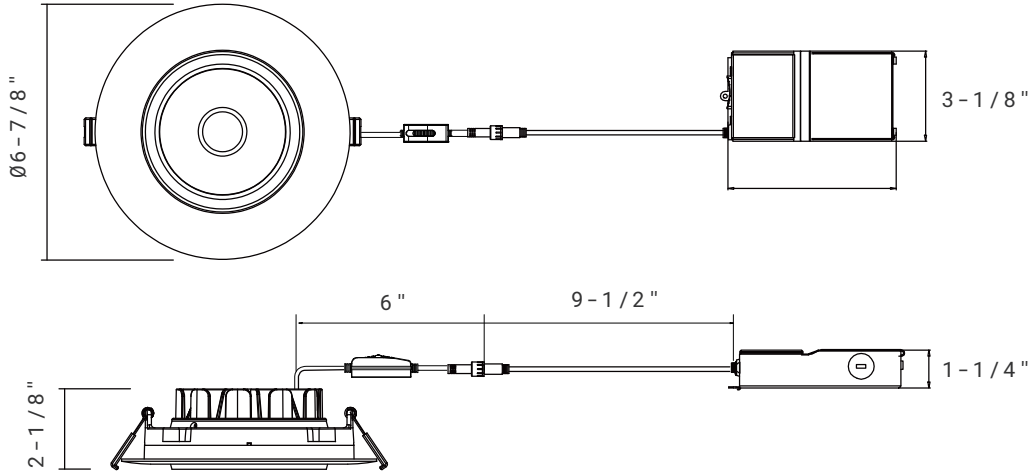
- Five CCT selectable.
- Type IC rated-no housing needed.
- Aluminum construction.
- Head is adjustable.

6" ADJ PORLA LED DOWNLIGHT

1500lm

SPECIFICATION

Triac and 0-10V Dimming



ORDERING INFORMATION

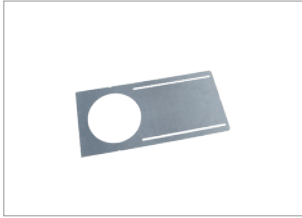
EXAMPLE: POR06-ADJ-R-15LM-90-MWH

POR						
Series	Size	Adjustable	Shape	Lumens/CRI	Trim Finish ²	Driver
POR	06 6"	ADJ Adjustable	R Round	15LM-90 18W 1500lm/90CRI	MWH Matte White MBK Matte Black	POR04-18W-4 1500lm Triac Dimmable Driver POR04-18W-1 1500lm 0-10V Dimmable Driver

NOTE:

1. 2700K, 3000K, 3500K, 4000K, 5000K selectable. 3000K is default setting.
2. Custom finish color is available for trim and additional charge will apply for custom finish.

ACCESSORIES



Rough-In Plate
POR-RIP-159
New construction
pre-mounting plate
opening Ø6-1/4".



FT6 Extension Cable
POR-EXC6-FT6
6 feet cable.
POR-EXC10-FT6
10 feet cable.
POR-EXC20-FT6
20 feet cable.

PERFORMANCE DATA

Lumen values are measured by third party certified laboratories performed in accordance with IESNA LM-79-08 as well as Lighting Facts listed.

Size	Nominal Wattage	Lumen Output	CCT	Beam Angle	Tilt Angle (ADJ)	CRI	Dimming	Cut Out
6 Inch ADJ	18W	1500lm@4000K	Selectable 2700K/3000K/ 3500K/4000K/ 5000K	38 degree	30 degree	90	Triac or 0-10V Dimming	Ø6-1/4"

WARRANTY

5 year limited warranty.

Specifications subject to change without notice.