



This architectural Carlo Cylinder Light is designed for accent lighting and features a state-of-the-art design. IP65 rated for wet locations. Field selectable 25°/40°/60° beam angle. It can be pendant or surface mounted. Anti-glare design for ideal visual comfort. Ideal for both indoor and outdoor commercial applications.

## TECHNICAL DATA

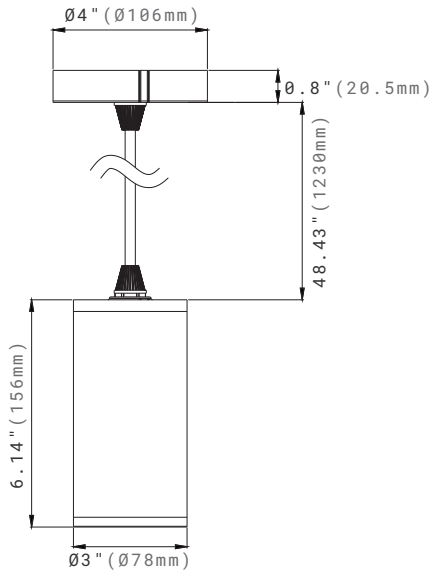
<b>Wattage</b>	Selectable 6W, 8W, 10W
	Selectable 12W, 16W, 20W
	Selectable 18W, 24W, 30W
<b>CRI</b>	90 Ra
<b>CCT</b>	2700K, 3000K, 3500K, 4000K, 5000K
<b>Input Voltage</b>	120-277VAC, 50/60Hz 120-347VAC, 50/60Hz
<b>Operating Temp.</b>	
3"	-40°F to 104°F (-40°C to 40°C )
4"	-40°F to 104°F (-40°C to 40°C )
6"	-40°F to 95°F (-40°C to 35°C)
<b>Driver</b>	0-10V dimming
<b>Certifications</b>	cULus conforms to UL Std. 1598 Cert. to CSA Std. C22.2 No.250.0 RoHS compliant
<b>Power Factor</b>	>0.9 at full load
<b>Harmonic Distortion</b>	<20% at full load
<b>Projected Lifetime</b>	L70 - 100,000 Hours
<b>IP Rating</b>	IP65

## FEATURES

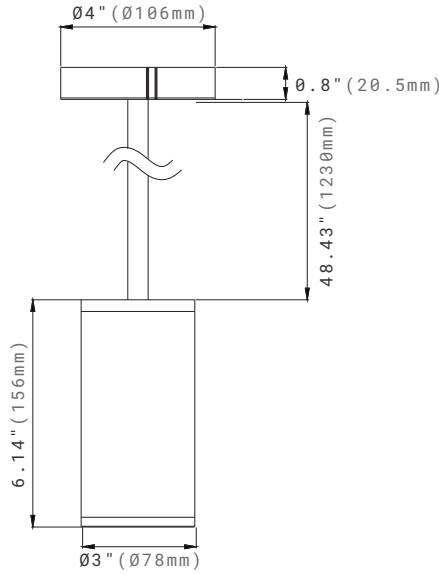
- **Mounting Flexibility:** Supports both pendant and surface mount.
- **Customizable Solution:** Wattage and CCT selectable to meet application needs, field selectable beam angle (25°/40°/60°) with anti-glare design for visual comfort.
- **Integrated Design:** Integral driver with isolated circuit for reliable performance.

**SPECIFICATION**

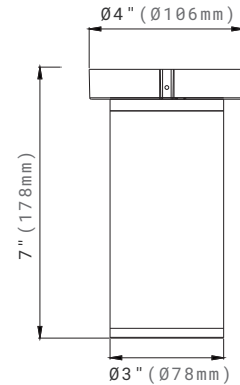
**3 inch**



Cable Pendant Mount

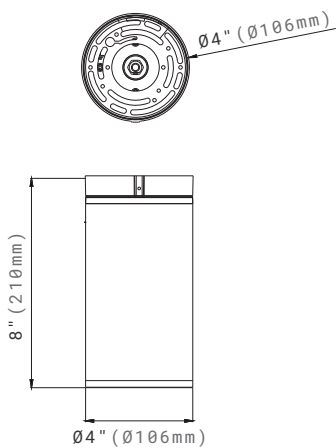


Rod Pendant Mount

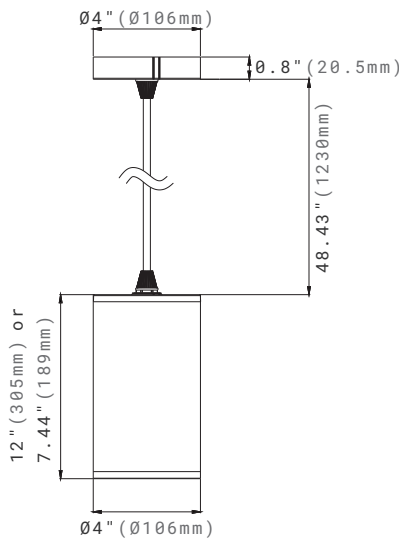


Ceiling Mount

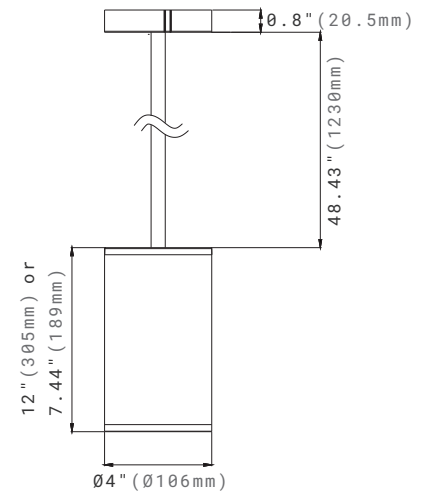
**4 inch**



Ceiling Mount



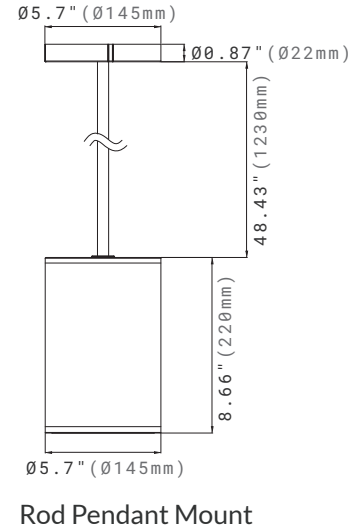
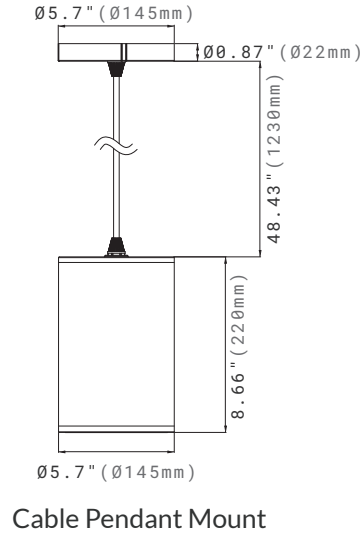
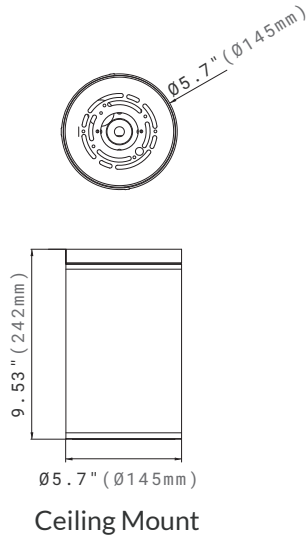
Cable Pendant Mount



Rod Pendant Mount

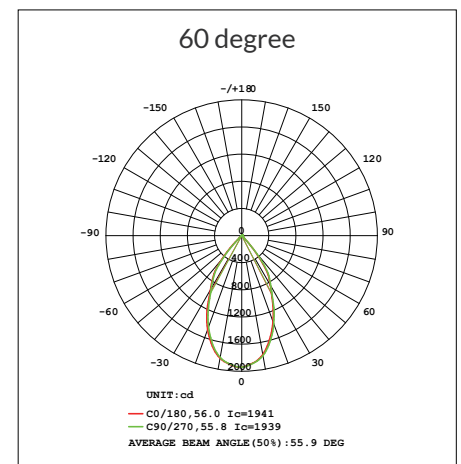
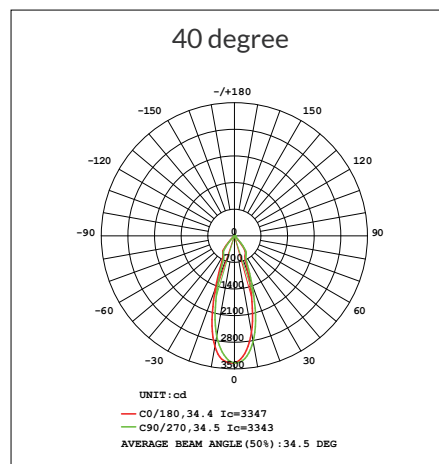
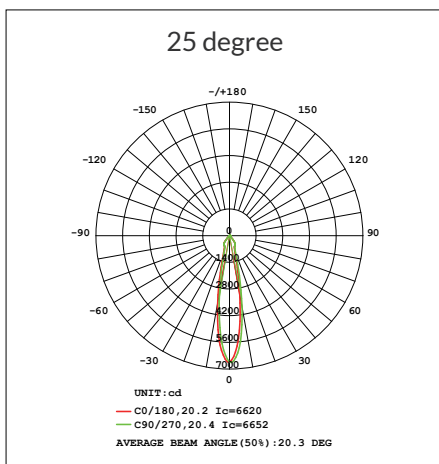
## SPECIFICATION

6 inch



## PHOTOMETRY

All published luminaire photometric testing performed to IESNA LM-79-08 standards by a NVLAP certified laboratory. IESNA LM-79-08 specifies the entire luminaire as the source resulting in a fixture efficiency of 100%. Results may vary per actual order.



## ORDERING INFORMATION

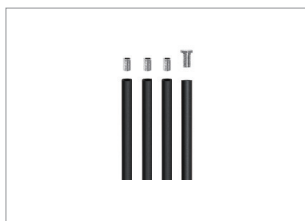
EXAMPLE: CCL4-07-20SPSW8-40-PSM-BK

CCL							
Series	Length	Wattage	CCT	Voltage	Beaming Angle	Installation	Finish
<b>CCL 3</b> 3"	<b>06</b> 6.14"	<b>10SP</b> Selectable <sup>2</sup> 6W 8W 10W	<b>SW</b> Selectable <sup>3</sup> 3000K 4000K 5000K	<b>1</b> 120-277V	<b>25</b> 25° <b>40</b> 40° <b>60</b> 60°	<b>PSM</b> Pendant and surface Mount <sup>4</sup>	<b>BK</b> Black <sup>5</sup>  <i>Optional Finish Colors (Need Additional Charge)</i>
<b>CCL 4</b> 4"	<b>07</b> 7.44"  <b>12<sup>1</sup></b> 12"	<b>20SP</b> Selectable <sup>2</sup> 12W 16W 20W	<b>SW</b> Selectable <sup>3</sup> 2700K 3000K 3500K 4000K 5000K	<b>8</b> 120-347V			
<b>CCL 6</b> 6"	<b>08</b> 8.66"	<b>30SP</b> Selectable <sup>2</sup> 18W 24W 30W	<b>SW</b> Selectable <sup>3</sup> 2700K 3000K 3500K 4000K 5000K	<b>8</b> 120-347V			

### NOTE:

1. 12" length has MOQ requirement. Please contact Customer Service for more details.
2. The highest wattage is default setting.
3. 3000K is default setting.
4. Cable pendant mount and surface mount are standard. The pendant rod need to be ordered separately.
5. Black is standard. Optional finish color is available at an additional cost.

**ACCESSORIES (ORDERED SEPARATELY AND FIELD INSTALLED)**



**CCL-RPMK-48-BK**

Pendant Rod 48" long, black.

**PERFORMANCE DATA**

Lumen values are measured by third party certified laboratories performed in accordance with IESNA LM-79-08 as well as Lighting Facts listed.

**3 inch**

Nominal Wattage	LPW	Lumen Output	CCT
10W	90	900lm	3000K
	100	1000lm	4000K
	100	1000lm	5000K
8W	90	720lm	3000K
	100	800lm	4000K
	100	800lm	5000K
6W	90	540lm	3000K
	100	600lm	4000K
	100	600lm	5000K

**PERFORMANCE DATA**

**4 inch**

Nominal Wattage	LPW	Lumen Output	CCT
20W	85	1700lm	2700K
	90	1800lm	3000K
	100	2000lm	3500K
	100	2000lm	4000K
	95	1900lm	5000K
16W	85	1360lm	2700K
	90	1440lm	3000K
	100	1600lm	3500K
	100	1600lm	4000K
	95	1520lm	5000K
12W	85	1020lm	2700K
	90	1080lm	3000K
	100	1200lm	3500K
	100	1200lm	4000K
	95	1140lm	5000K

**6 inch**

Nominal Wattage	LPW	Lumen Output	CCT
30W	75	2250lm	2700K
	80	2400lm	3000K
	90	2700lm	3500K
	90	2700lm	4000K
	90	2700lm	5000K
24W	75	1800lm	2700K
	80	1920lm	3000K
	90	2160lm	3500K
	90	2160lm	4000K
	90	2160lm	5000K
18W	75	1350lm	2700K
	80	1440lm	3000K
	90	1620lm	3500K
	90	1620lm	4000K
	90	1620lm	5000K

**WARRANTY**

5 years limited warranty.  
Specifications subject to change without notice.