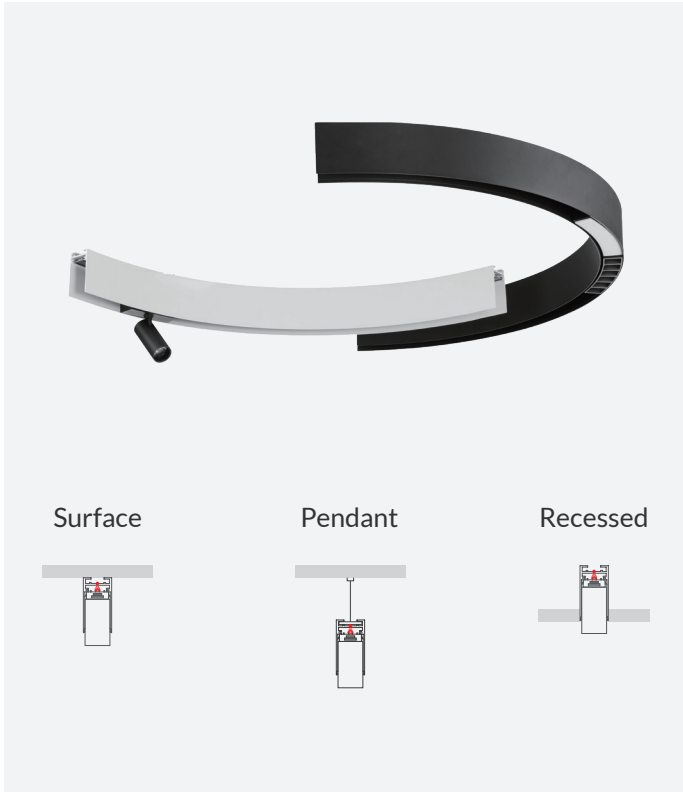


CURVE MAGNETIC TRACK SYSTEM

Magnetic Track Profile



Thanks to the Curvy series, the Magnetic Track System is more than just straight, become curvaceous. Full circle isn't the purpose, compare to realizing the lines in different and gorgeous shapes. Provided with different types and colors, Curvy series works perfectly with curved profile to build up various scenes.

TECHNICAL DATA

Material	Aluminum
Input Voltage	24VDC
Input Current	8A Max
Color	RAL9004 Black/RAL 9003 White
Certifications	cETL Listed RoHS compliant
Installation	Surface, Pendant, Recessed



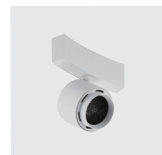
Curve Dot



Curve Lin



Curve Cylinder Spot



Curve Round Spot



Curve Square Spot



Curve Glowball



Curve Cylinder Pendant



Curve Meteor Pendant

ORDERING INFORMATION

EXAMPLE: CMTS-11-24V-BK

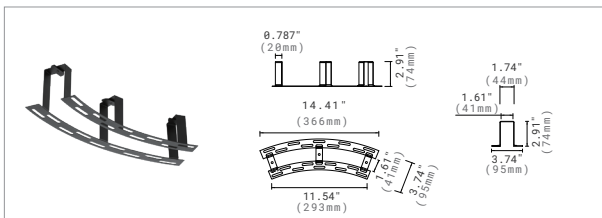
CMTS Series	Length	Voltage	Installation	Frame Finish
CMTS ¹ Curve Magnetic Track Profile ¹	11 In circle 12 In 1/2 circle 14 In 1/4 circle 18 In 1/8 circle	24V² 24VDC ²	Need to Order and Ship Separately³ PMK Pendant Mount Kits SMK Surface Mount Kits RMK Recessed Mount Kits	BK⁴ Black ⁴ WH⁴ White ⁴

NOTE:

- The standard curve track profile and all the curve track light fixtures are for R16.1" (410mm). For special track diameter and size demand, please contact Customer Service.
- 24V constant voltage LED drivers can be chosen in the following driver list. The 24V constant voltage LED drivers also can be supplied by customer.
- Different mounting kits need to be bought separately. Please check the details in the following accessory list.
- Black and white finish is standard. Custom finish colors are available at an additional charge. Please contact Customer Service for premium options.
- Single circuit is standard. Double circuit is optional.

ACCESSORIES (ORDERED AND SHIPPED SEPARATELY)

Recessed Kit



CMTS-RM-BK

Recessed Mounting Kits for Curver Magnetic Track.

Including One Piece.

Sandy Black 

Sandy White 

NOTE:

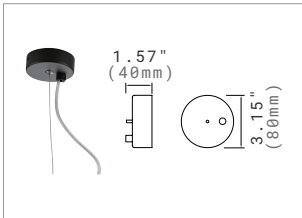
The standard sell quantity is one piece per set.

If for full circle track, 3 pieces recessed mounting kits are suggested.

If for 1/2 curve track, 2 pieces recessed mounting kits are suggested.



If for 1/4 and 1/8 curve track, 1 piece recessed mounting kits is suggested.

Pendant Kit-A

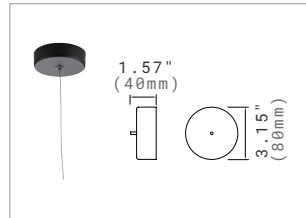


MTS-PM-A-BK

Suspension 47.24inch with Electrical Wire (1pc).



Sandy Black 
 Sandy White 

Pendant Kit-B



MTS-PM-B-BK

Suspension 47.24inch (1pc).



Sandy Black 
 Sandy White 

Surface Mount Kits

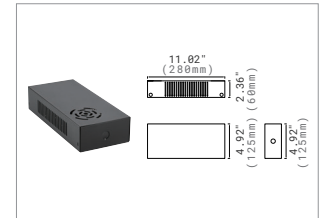


MTS-SM-BK

Surface Mounted for Magnetic Track, includes 4pcs.



Sandy Black 
 Sandy White 

Driver Box



MTS-DBOX-BK

Empty Box.

Sandy Black 
 Sandy White 

CONSTANT VOLTAGE LED DRIVER LIST (ORDERED AND SHIPPED SEPARATELY)

Non-Dimmable LED Driver



XLG-75-24-A

75W, Non-Dimmable.
 Size: 7.09"x2.48"x1.40"
 180mmx63mmx35.5mm.
 Input Voltage: AC100-305V.
 Output Voltage: 24V DC.



XLG-100-24-A

100W, Non-Dimmable.
 Size: 7.09"x2.48"x1.40"
 180mmx63mmx35.5mm.
 Input Voltage: AC100-305V.
 Output Voltage: 24V DC.



XLG-150-24-A

150W, Non-Dimmable.
 Size: 7.09"x2.48"x1.40"
 180mmx63mmx35.5mm.
 Input Voltage: AC100-305V.
 Output Voltage: 24V DC.



XLG-200-24-A

200W, Non-Dimmable.
 Size: 7.09"x2.48"x1.40"
 180mmx63mmx35.5mm.
 Input Voltage: AC100-305V.
 Output Voltage: 24V DC.

5 IN 1 Dimmable LED Driver



KVG-24080-DWJ

80W,
 Triac/0-10V/1-10V/10V
 PWM.
 Input Voltage: 120-277V.
 Output Voltage: 24V DC.



KVG-24100-DWJ

100W,
 Triac/0-10V/1-10V/10V
 PWM.
 Input Voltage: 120-277V.
 Output Voltage: 24V DC.



KVG-24150-DWJ

150W,
 Triac/0-10V/1-10V/10V
 PWM.
 Input Voltage: 120-277V.
 Output Voltage: 24V DC.



KVG-24200-DWJ

200W,
 Triac/0-10V/1-10V/10V
 PWM.
 Input Voltage: 120-277V.
 Output Voltage: 24V DC.



KVG-24300-DWJ

300W,
Triac/0-10V/1-10V/10V PWM.
Input Voltage: 120-277V.
Output Voltage: 24V DC.

DALI Intelligent LED Driver

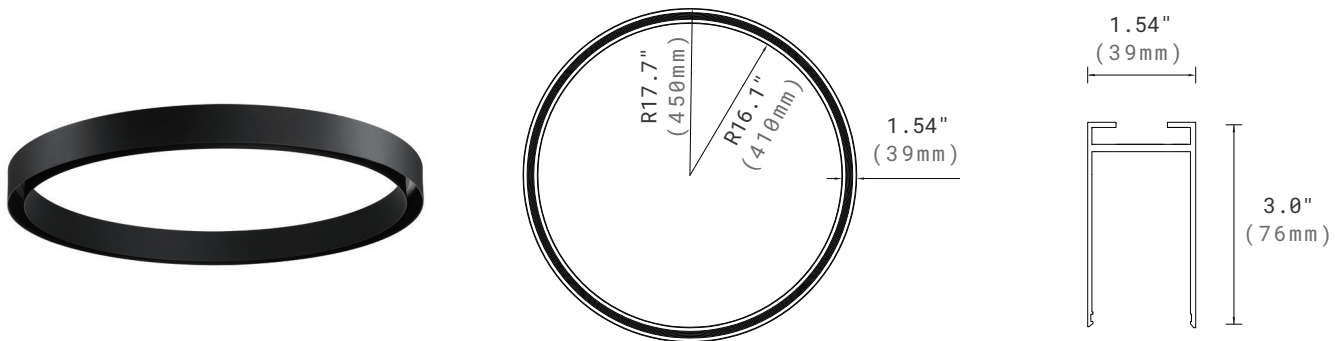


LM-100-24-G1D2

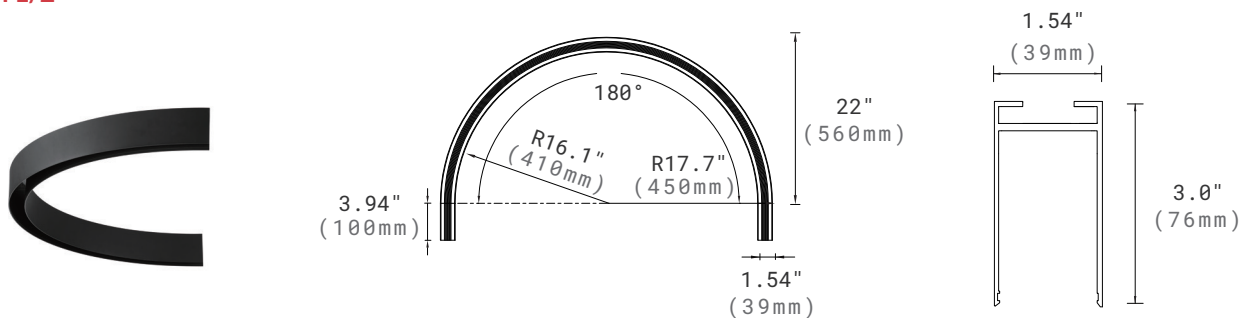
100W, DALI-2, Push DIM.
Size: 13.86"x1.69"x1.18".
352mmx43mmx30mm(LxWxH).
Input Voltage: AC120-277V.
Output Voltage: 24V DC.

DIMENSION

Curve in Circle



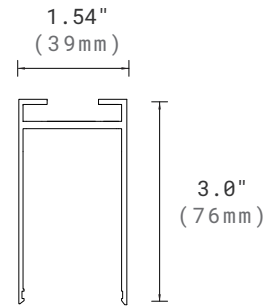
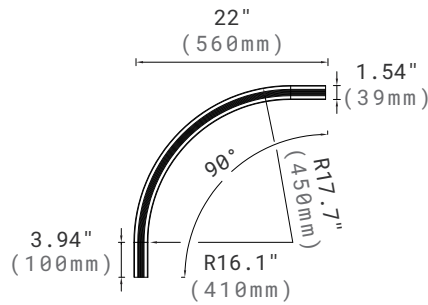
Curve in 1/2



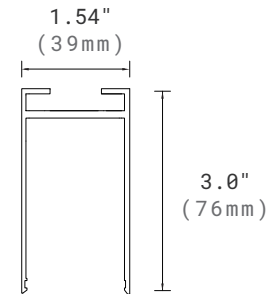
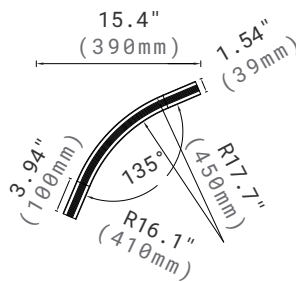
CURVE MAGNETIC TRACK SYSTEM

Magnetic Track Profile

Curve 1/4



Curve 1/8



Full



1/2



1/4



1/8



Creative Design



Creative Design



Creative Design

INSTALLATION



Surface



Pendant

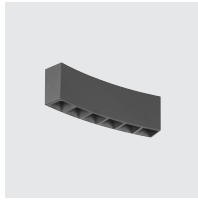


Recessed

CURVE DOT



4W



8W

CURVE LIN

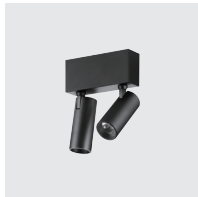


7W

CURVE CYLINDER SPOT



5W



2x5W



10W

CURVE ROUND SPOT



8W



15W

CURVE SQUARE SPOT



10W

CURVE GLOWBALL



5W

CURVE CYLINDER PENDANT



5W



10W

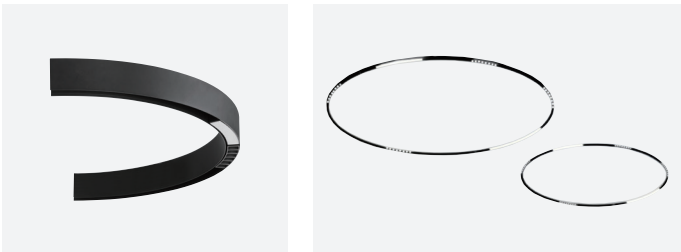
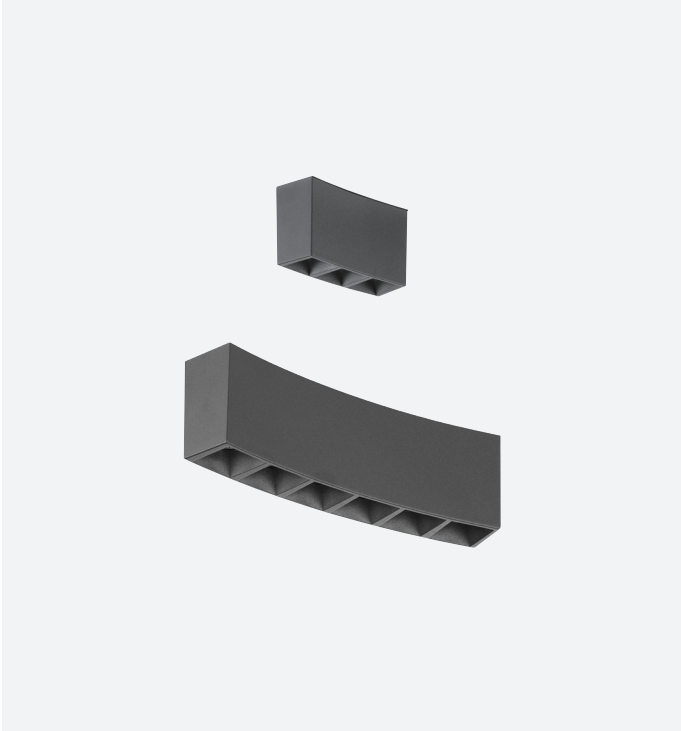
CURVE METEOR PENDANT



5W (4")



5W (8")



The Curve Dot Series is ideal for spot lighting. This design features a deep antiglare spot lens that allows for multiple beam angles, and is available in different wattages and lengths with elegant clean body.

TECHNICAL DATA

Wattage	4W, 8W
Input Voltage	24VDC
Beam Angle	12°, 34°, 48°
CCT	2700K, 3000K, 3500K, 4000K
CRI	90
Driver	Triac, 0/1-10V
Certifications	cETL Listed RoHS compliant
Installation	Magnetic
Environment	Indoor

NOTE:

Curve Magnetic Track Profile sold separately.

ORDERING INFORMATION

EXAMPLE: CDOT04-3090-24V-34-MTM-BK

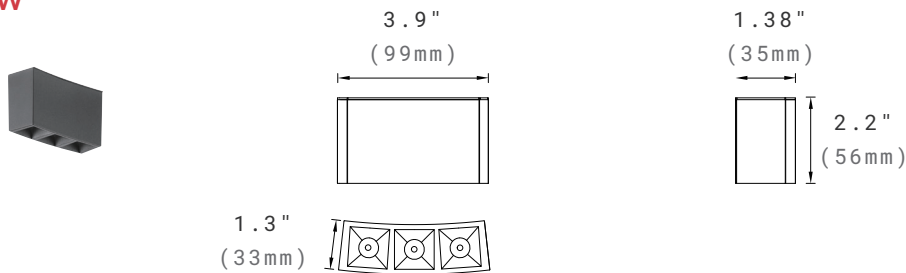
CDOT Series	Wattage/Length	CCT&CRI	Voltage	Beam Angle	Installation	Finish
CDOT	04 4W/3.9"	2790 2700K/90Ra	24V¹ 24VDC ¹	12 12 degree	MTM Magnetic Track Mount	BK² Black ²
	08 8W/6.38"	3090 3000K/90Ra		34 34 degree		WH² White ²
		3590 3500K/90Ra		48 48 degree		
		4090 4000K/90Ra				

NOTE:

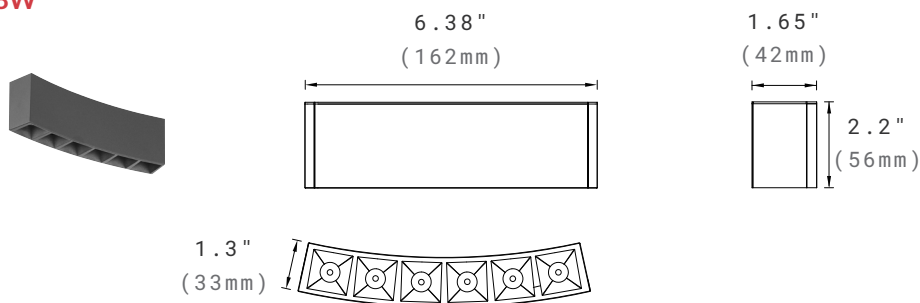
1. The fixture is used for 24V magnetic track system.
2. Black and white finish is standard. Custom finish colors are available at an additional charge. Please contact Customer Service for premium options.

DIMENSION

4W

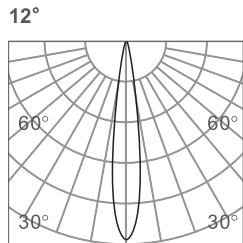


8W

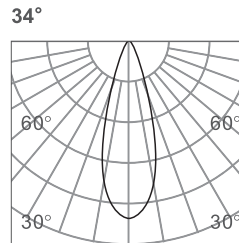


PHOTOMETRY

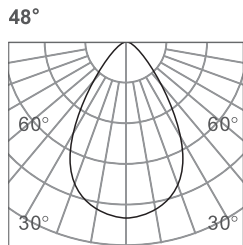
All published luminaire photometric testing performed to IESNA LM-79-08 standards by a NVLAP certified laboratory. IESNA LM-79-08 specifies the entire luminaire as the source resulting in a fixture efficiency of 100%. Results may vary per actual order.



h(m)	E(lx)	Φ(m)
1	3693	Φ0.23
2	923	Φ0.47
3	410	Φ0.71
4	230	Φ0.94
5	147	Φ1.18



h(m)	E(lx)	Φ(m)
1	1238	Φ0.61
2	309	Φ1.22
3	137	Φ1.83
4	77	Φ2.44
5	49	Φ3.05

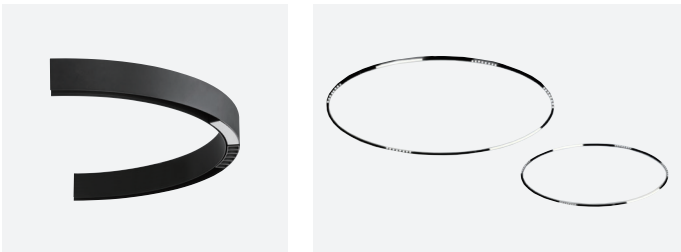
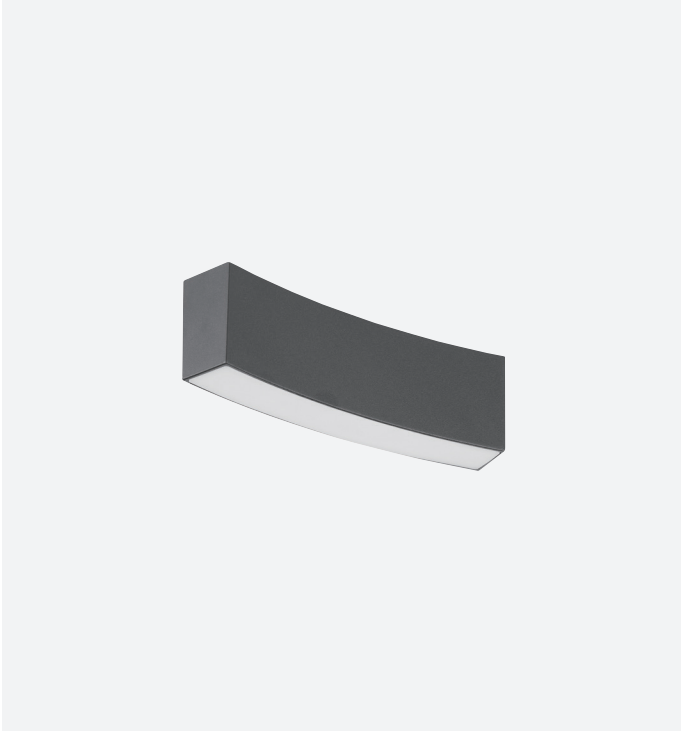


h(m)	E(lx)	Φ(m)
1	778	Φ0.91
2	194	Φ1.82
3	86	Φ2.73
4	48	Φ3.64
5	31	Φ4.55

PERFORMANCE DATA

Lumen values are measured by third party certified laboratories performed in accordance with IESNA LM-79-08 as well as Lighting Facts listed.

Wattage	Lumen Output	CRI	Beam Angle	CCT	LPW
4W	300lm	90	12°/34°/48°	3000K	95
8W	640lm	90	12°/34°/48°	3000K	92



The Curve Lin Series is a lighting solution designed to work with our Curve Magnetic Track System. It features a low glare diffused lens and is available in several different wattage/length combinations all housed in an elegant body.

TECHNICAL DATA

Wattage	7W
Input Voltage	24VDC
CCT	2700K, 3000K, 3500K, 4000K
CRI	90
Lens	Diffused
Driver	Triac, 0/1-10V
Certifications	cETL Listed RoHS compliant
Installation	Magnetic
Environment	Indoor

NOTE:

Curve Magnetic Track Profile sold separately.

ORDERING INFORMATION

EXAMPLE: CLIN07-3090-24V-DL-MTM-BK

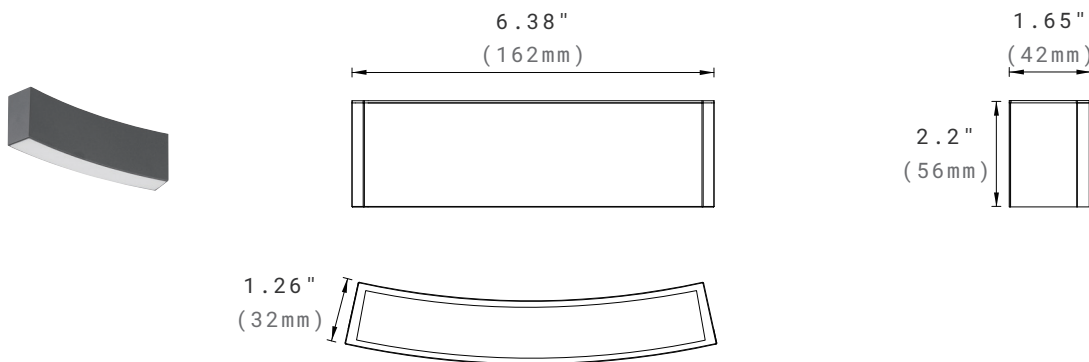
CLIN Series	Wattage/Length	CCT&CRI	Voltage	Lens	Installation	Finish
CLIN	07 7W/6.38"	2790 2700K/90Ra 3090 3000K/90Ra 3590 3500K/90Ra 4090 4000K/90Ra	24V ¹ 24VDC ¹	DL Diffused Lens	MTM Magnetic Track Mount	BK ² Black ² WH ² White ²

NOTE:

1. The fixture is used for 24V magnetic track system.
2. Black and white finish is standard. Custom finish colors are available at an additional charge. Please contact Customer Service for premium options.

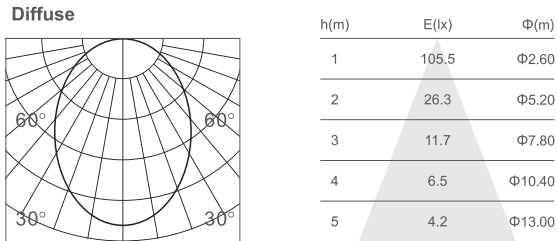
DIMENSION

7W



PHOTOMETRY

All published luminaire photometric testing performed to IESNA LM-79-08 standards by a NVLAP certified laboratory. IESNA LM-79-08 specifies the entire luminaire as the source resulting in a fixture efficiency of 100%. Results may vary per actual order.



PERFORMANCE DATA

Lumen values are measured by third party certified laboratories performed in accordance with IESNA LM-79-08 as well as Lighting Facts listed.

Wattage	Lumen Output	CRI	Lens	CCT	LPW
7W	490lm	90	Diffused	3000K	70

CURVE MAGNETIC TRACK LIGHT

Cylinder Spot



Two sizes with three different beam angles. Junction arm integrated in the spotlight's body to keep the barycentre aligned with the track. This junction arm allows 360° rotation in horizontal direction and 90° rotation in vertical direction.

TECHNICAL DATA

Wattage	5W, 2X5W, 10W
Input Voltage	24VDC
Beam Angle	
5W, 2X5W	20°, 30°, 40°
10W	18°, 24°, 36°
CCT	2700K, 3000K, 3500K, 4000K
CRI	90
Driver	Triac, 0/1-10V
Certifications	cETL Listed RoHS compliant
Installation	Magnetic
Environment	Indoor



Small Spot 5W

Small Spot 2X5W

Medium Spot 10W

ORDERING INFORMATION

EXAMPLE: CCSS2X5-3090-24V-30-MTM-BK

CCS								
Series	Size	Wattage	CCT&CRI	Voltage	Beam Angle	Installation	Finish	
CCS	S Small	5 5W	2790 2700K/90Ra	24V ¹ 24VDC ¹	20 20 degree	MTM Magnetic Track Mount	BK ² Black ² WH ² White ²	
		2X5 2X5W	3090 3000K/90Ra		30 30 degree			
				40 40 degree				
	M Medium	10 10W	2790 2700K/90Ra	24V ¹ 24VDC ¹	18 18 degree			
			3090 3000K/90Ra		24 24 degree			
			3590 3500K/90Ra		36 36 degree			
			4090 4000K/90Ra					

NOTE:

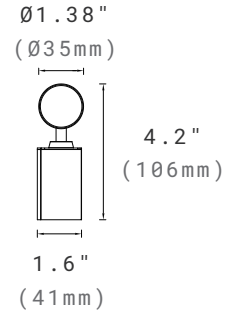
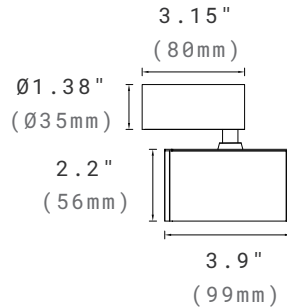
1. The fixture is used for 24V magnetic track system.
2. Black and white finish is standard. Custom finish colors are available at an additional charge. Please contact Customer Service for premium options.

CURVE MAGNETIC TRACK LIGHT

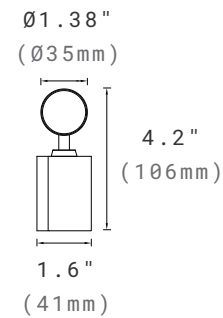
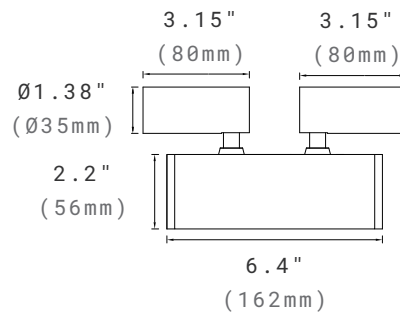
Cylinder Spot

DIMENSION

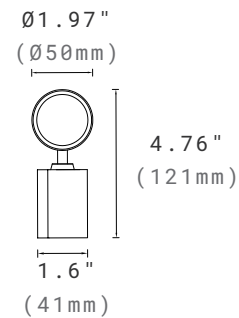
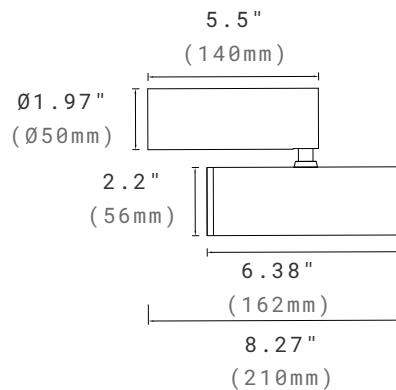
Small Spot 5W



Small Spot 2x5W



Medium Spot 10W

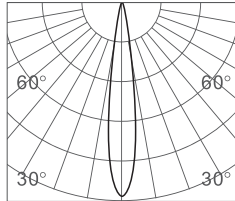


PHOTOMETRY

All published luminaire photometric testing performed to IESNA LM-79-08 standards by a NVLAP certified laboratory. IESNA LM-79-08 specifies the entire luminaire as the source resulting in a fixture efficiency of 100%. Results may vary per actual order.

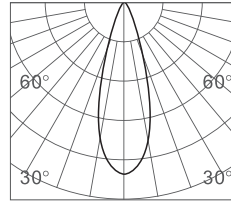
Small 5W, Small Spot 2X5W

20°



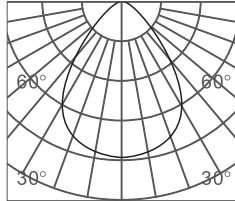
h(m)	E(lx)	Φ(m)
2	563	Φ0.69
3	250	Φ1.03
3.5	183	Φ1.20
4	140	Φ1.38
5	90	Φ1.55

30°



h(m)	E(lx)	Φ(m)
1	2519	Φ0.32
2	629	Φ0.65
3	279	Φ0.98
4	157	Φ1.31
5	100	Φ1.64

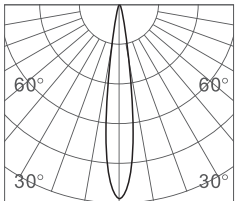
40°



h(m)	E(lx)	Φ(m)
2	278	Φ0.96
3	124	Φ1.44
3.5	91	Φ1.68
4	69	Φ1.92
5	44	Φ2.40

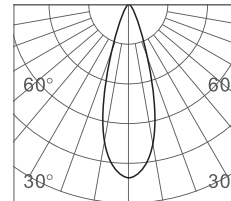
Medium Spot 10W

18°



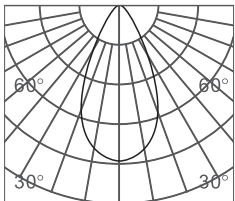
h(m)	E(lx)	Φ(m)
1	3011	Φ0.32
2	752	Φ0.64
3	334	Φ0.97
4	188	Φ1.29
5	120	Φ1.62

24°



h(m)	E(lx)	Φ(m)
1	3857	Φ0.40
2	964	Φ0.81
3	428	Φ1.22
4	241	Φ1.62
5	154	Φ2.03

36°



h(m)	E(lx)	Φ(m)
1	2154	Φ0.64
2	538	Φ1.28
3	239	Φ1.92
4	134	Φ2.56
5	86	Φ3.21

PERFORMANCE DATA

Lumen values are measured by third party certified laboratories performed in accordance with IESNA LM-79-08 as well as Lighting Facts listed.

Wattage	Beam Angle	Lumen Output	CRI	CCT	LPW
5W	20°/30°/40°	530lm	90	3000K	106
2X5W	20°/30°/40°	1060lm	90	3000K	106
10W	18°/24°/36°	680lm	90	3000K	68

CURVE MAGNETIC TRACK LIGHT

Round Spot



The Curve Round Spot Series is available in two sizes and is designed to work with our Curve Magnetic Track System. The junction arm is integrated in the Spots body, keeping the body centered on the track while allowing for 360° rotation along the horizontal plane and 90° rotation along the vertical plane. The fixture is available in three beam angles.

TECHNICAL DATA

Wattage	8W, 15W
Input Voltage	24VDC
Beam Angle	10°, 20°, 30°
CCT	2700K, 3000K, 3500K, 4000K
CRI	90
Driver	Triac, 0/1-10V
Certifications	cETL Listed RoHS compliant
Installation	Magnetic
Environment	Indoor



Small Spot 8W



Large Spot 15W

CURVE MAGNETIC TRACK LIGHT

Round Spot

ORDERING INFORMATION

EXAMPLE: CRSS08-3090-24V-30-MTM-BK

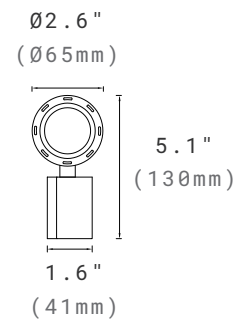
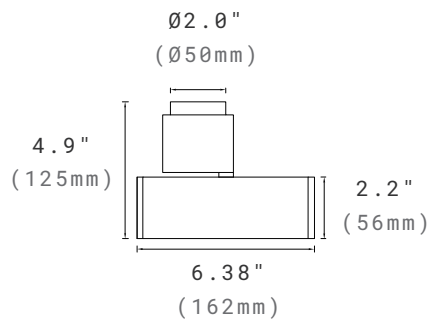
CRS Series	Size	Wattage	CCT&CRI	Voltage	Beam Angle	Installation	Finish
CRS	S Small	08 8W	2790 2700K/90Ra 3090 3000K/90Ra	24V¹ 24VDC ¹	10 10 degree	MTM Magnetic Track Mount	BK² Black ²
	L Large	15 15W	3590 3500K/90Ra 4090 4000K/90Ra		20 20 degree 30 30 degree		WH² White ²

NOTE:

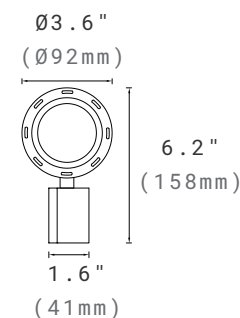
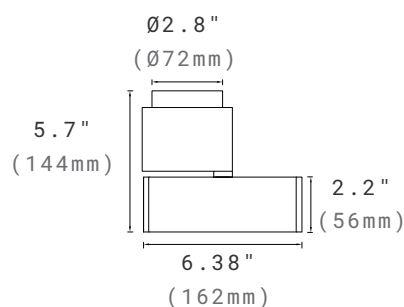
1. The fixture is used for 24V magnetic track system.
2. Black and white finish is standard. Custom finish colors are available at an additional charge. Please contact Customer Service for premium options.

DIMENSION

Small Spot 8W



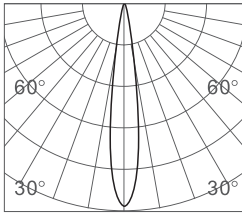
Large Spot 15W



PHOTOMETRY

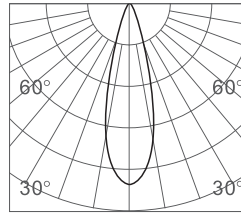
All published luminaire photometric testing performed to IESNA LM-79-08 standards by a NVLAP certified laboratory. IESNA LM-79-08 specifies the entire luminaire as the source resulting in a fixture efficiency of 100%. Results may vary per actual order.

10°



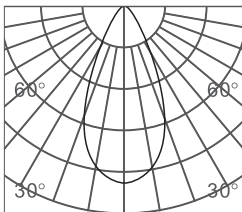
h(m)	E(lx)	Φ(m)
2	4203	Φ0.20
3	1051	Φ0.40
3.5	467	Φ0.61
4	262	Φ0.81
5	168	Φ1.02

20°



h(m)	E(lx)	Φ(m)
1	2675	Φ0.26
2	668	Φ0.53
3	297	Φ0.80
4	167	Φ1.06
5	107	Φ1.33

30°



h(m)	E(lx)	Φ(m)
2	699	Φ0.53
3	174	Φ1.06
3.5	77	Φ1.60
4	43	Φ2.13
5	27	Φ2.66

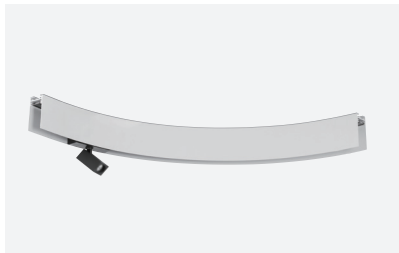
PERFORMANCE DATA

Lumen values are measured by third party certified laboratories performed in accordance with IESNA LM-79-08 as well as Lighting Facts listed.

Wattage	Beam Angle	Lumen Output	CRI	CCT
8W	10°/20°/30°	255lm	90	3000K
15W	10°/20°/30°	485lm	90	3000K

CURVE MAGNETIC TRACK LIGHT

Square Spot



NOTE:

Curve Magnetic Track Profile sold separately.



Square shape with three different beam angles. The junction arm is integrated in the Spots body, keeping the body centered on the track while allowing for 360° rotation along the horizontal plane and 90° rotation along the vertical plane.

TECHNICAL DATA

Wattage	10W
Input Voltage	24VDC
Beam Angle	18°, 24°, 36°
CCT	2700K, 3000K, 3500K, 4000K
CRI	90
Driver	Triac, 0/1-10V
Certifications	cETL Listed RoHS compliant
Installation	Magnetic
Environment	Indoor

ORDERING INFORMATION

EXAMPLE: CSQ10-3090-24V-24-MTM-BK

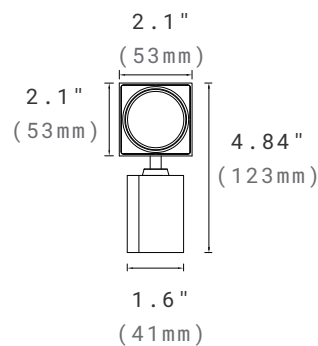
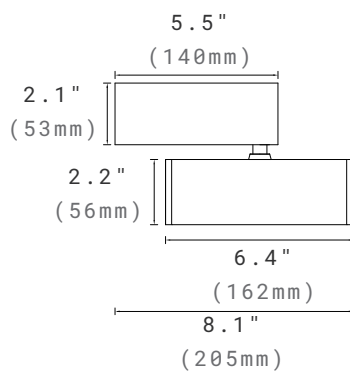
CSQ Series	Wattage	CCT&CRI	Voltage	Beam Angle	Installation	Finish
CSQ	10 10W	2790 2700K/90Ra 3090 3000K/90Ra 3590 3500K/90Ra 4090 4000K/90Ra	24V ¹ 24VDC ¹	18 18 degree 24 24 degree 36 36 degree	MTM Magnetic Track Mount	BK ² Black ² WH ² White ²

NOTE:

1. The fixture is used for 24V magnetic track system.
2. Black and white finish is standard. Custom finish colors are available at an additional charge. Please contact Customer Service for premium options.

DIMENSION

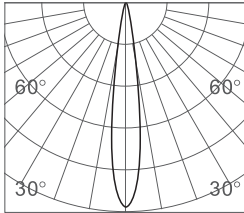
10W



PHOTOMETRY

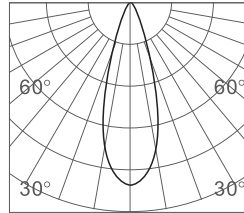
All published luminaire photometric testing performed to IESNA LM-79-08 standards by a NVLAP certified laboratory. IESNA LM-79-08 specifies the entire luminaire as the source resulting in a fixture efficiency of 100%. Results may vary per actual order.

18°



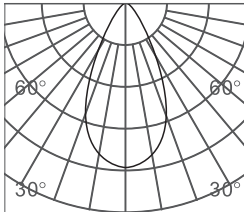
h(m)	E(lx)	Φ(m)
1	3011	Φ0.32
2	752	Φ0.64
3	334	Φ0.97
4	188	Φ1.29
5	120	Φ1.62

24°



h(m)	E(lx)	Φ(m)
1	3857	Φ0.40
2	964	Φ0.81
3	428	Φ1.22
4	241	Φ1.62
5	154	Φ2.03

36°



h(m)	E(lx)	Φ(m)
1	2154	Φ0.64
2	538	Φ1.28
3	239	Φ1.92
4	134	Φ2.56
5	86	Φ3.21

PERFORMANCE DATA

Lumen values are measured by third party certified laboratories performed in accordance with IESNA LM-79-08 as well as Lighting Facts listed.

Wattage	Beam Angle	Lumen Output	CRI	CCT	LPW
10W	18°/24°/36°	725lm	90	3000K	72



Our Curve Glowball Series Magnetic Track Light is designed for decorative and general lighting. The diffuse spherical glass lens yields a smooth uniform light output, and the fixture is available as both a pendant or surface mounted to our 24V magnetic track system.

TECHNICAL DATA

Wattage	5W
Input Voltage	24VDC
Lens	Diffused
CCT	2700K, 3000K, 3500K, 4000K
CRI	90
Driver	Triac, 0/1-10V
Certifications	cETL Listed RoHS compliant
Installation	Magnetic
Environment	Indoor

NOTE:
Curve Magnetic Track Profile sold separately.

ORDERING INFORMATION

EXAMPLE: CGBL05-3090-24V-SM-BK

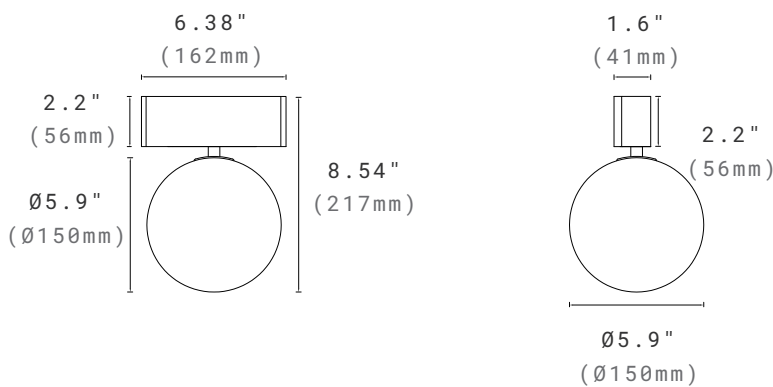
CGBL Series	Wattage	CCT&CRI	Voltage	Lens	Installation	Finish
CGBL	05 5W	2790 2700K/90Ra 3090 3000K/90Ra 3590 3500K/90Ra 4090 4000K/90Ra	24V ¹ 24VDC ¹	BLANK Diffused	SM Surface Magnetic Track Mount	BK ² Black ² WH ² White ²

NOTE:

1. The fixture is used for 24V magnetic track system.
2. Black and white finish is standard. Custom finish colors are available at an additional charge. Please contact Customer Service for premium options.

DIMENSION

5W

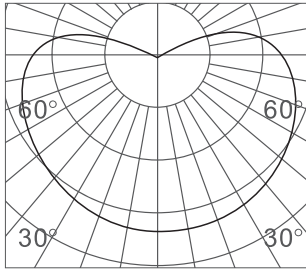


PHOTOMETRY

All published luminaire photometric testing performed to IESNA LM-79-08 standards by a NVLAP certified laboratory. IESNA LM-79-08 specifies the entire luminaire as the source resulting in a fixture efficiency of 100%. Results may vary per actual order.

2700K 80Ra

Diffuse



h(m)	E(lx)	Φ(m)
1	24	Φ2
2	6	Φ4
3	2	Φ6
4	1	Φ8
5	0.9	Φ10

PERFORMANCE DATA

Lumen values are measured by third party certified laboratories performed in accordance with IESNA LM-79-08 as well as Lighting Facts listed.

Wattage	Lens	Lumen Output	CRI	CCT	LPW
5W	Diffused	350lm	90	3000K	70

CURVE MAGNETIC TRACK LIGHT

Cylinder Pendant



Elegant body coating and antiglare cover. Thanks to the length adjustable cable, the magnetic pendant works smooth in different spaces. Comfortable lighting without glare. Minimal glare and multiple light beams.

TECHNICAL DATA

Wattage	5W, 10W
Input Voltage	24VDC
Beam Angle	
5W	20°, 30°, 40°
10W	18°, 24°, 36°
CCT	2700K, 3000K, 3500K, 4000K
CRI	90
Driver	Triac, 0/1-10V
Certifications	cETL Listed RoHS compliant
Installation	Magnetic
Environment	Indoor



5W



10W

ORDERING INFORMATION

EXAMPLE: CCYLP05-3090-24V-30-MTM-BK

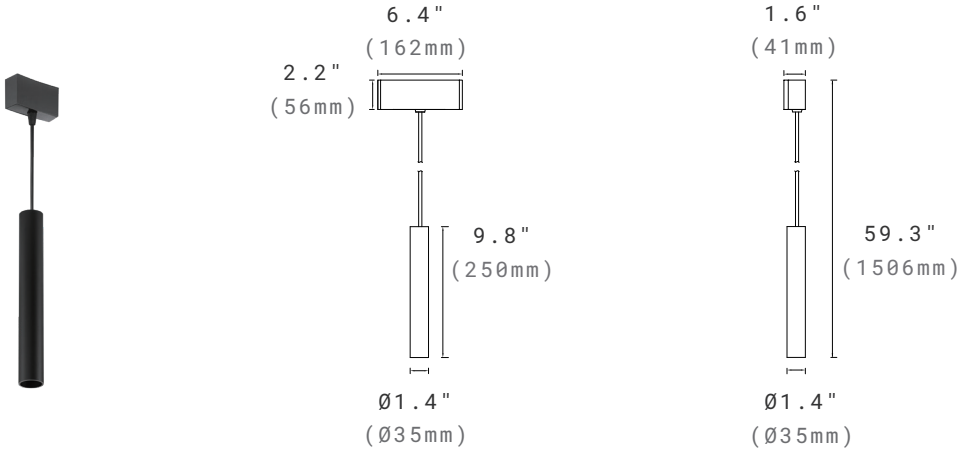
CCYLP Series	Wattage	CCT&CRI	Voltage	Beam Angle	Installation	Finish
CCYLP	05 5W	2790 2700K/90Ra 3090 3000K/90Ra 3590 3500K/90Ra 4090 4000K/90Ra	24V ¹ 24VDC ¹	20 20 degree 30 30 degree 40 40 degree	MTM Magnetic Track Mount	BK ² Black ² WH ² White ²
	10 10W	2790 2700K/90Ra 3090 3000K/90Ra 3590 3500K/90Ra 4090 4000K/90Ra	24V ¹ 24VDC ¹	18 18 degree 24 24 degree 36 36 degree		

NOTE:

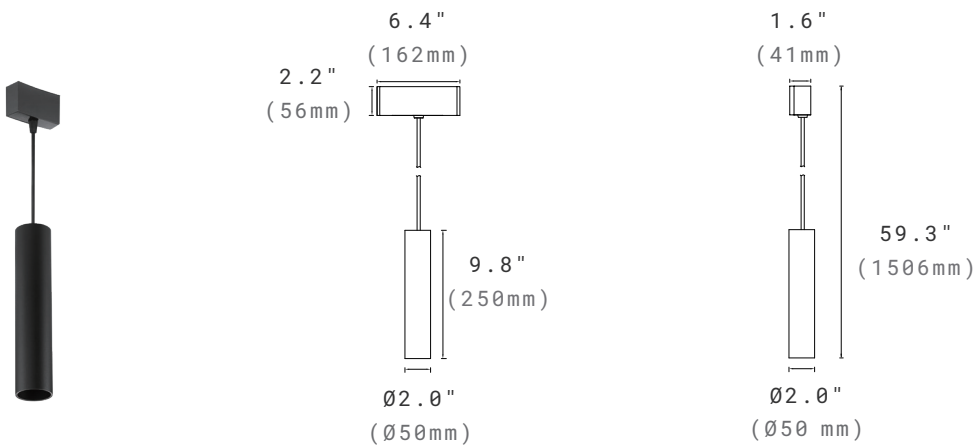
1. The fixture is used for 24V magnetic track system.
2. Black and white finish is standard. Custom finish colors are available at an additional charge. Please contact Customer Service for premium options.

DIMENSION

Small 5W



Large 10W



PERFORMANCE DATA

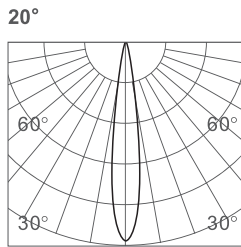
Lumen values are measured by third party certified laboratories performed in accordance with IESNA LM-79-08 as well as Lighting Facts listed.

Wattage	Beam Angle	Lumen Output	CRI	CCT	LPW
5W	20°/30°/40°	530lm	90	3000K	106
10W	18°/24°/36°	680lm	90	3000K	68

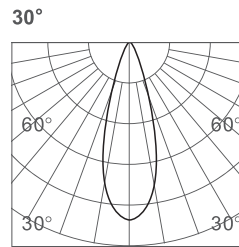
PHOTOMETRY

All published luminaire photometric testing performed to IESNA LM-79-08 standards by a NVLAP certified laboratory. IESNA LM-79-08 specifies the entire luminaire as the source resulting in a fixture efficiency of 100%. Results may vary per actual order.

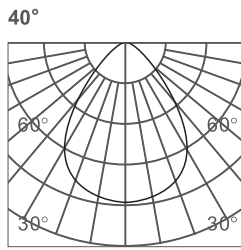
Small 5W



h(m)	E(lx)	Φ(m)
2	563	Φ0.69
3	250	Φ1.03
3.5	183	Φ1.20
4	140	Φ1.38
5	90	Φ1.55

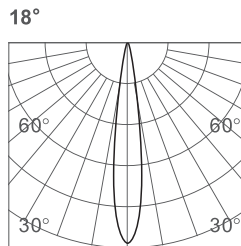


h(m)	E(lx)	Φ(m)
1	2519	Φ0.32
2	629	Φ0.65
3	279	Φ0.98
4	157	Φ1.31
5	100	Φ1.64

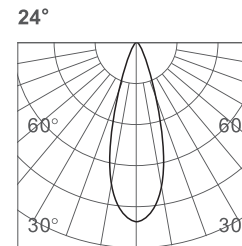


h(m)	E(lx)	Φ(m)
2	278	Φ0.96
3	124	Φ1.44
3.5	91	Φ1.68
4	69	Φ1.92
5	44	Φ2.40

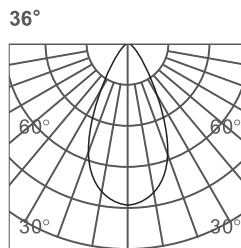
Large 10W



h(m)	E(lx)	Φ(m)
1	3011	Φ0.32
2	752	Φ0.64
3	334	Φ0.97
4	188	Φ1.29
5	120	Φ1.62



h(m)	E(lx)	Φ(m)
1	3857	Φ0.40
2	964	Φ0.81
3	428	Φ1.22
4	241	Φ1.62
5	154	Φ2.03



h(m)	E(lx)	Φ(m)
1	2154	Φ0.64
2	538	Φ1.28
3	239	Φ1.92
4	134	Φ2.56
5	86	Φ3.21

CURVE MAGNETIC TRACK LIGHT

Meteor Pendant



Not only for decoration, it's professional in atmosphere creation by precious light control. Thanks to the length adjustable cable, the magnetic pendant works smooth in different spaces. Comfortable lighting without glare.

TECHNICAL DATA

Wattage	5W
Input Voltage	24VDC
Lens	Diffused
CCT	2700K, 3000K, 3500K, 4000K
CRI	90
Driver	Triac, 0/1-10V
Certifications	cETL Listed RoHS compliant
Installation	Magnetic
Environment	Indoor



4"



8"

ORDERING INFORMATION

EXAMPLE: CMET8-05-3090-24V-DL-MTM-BK

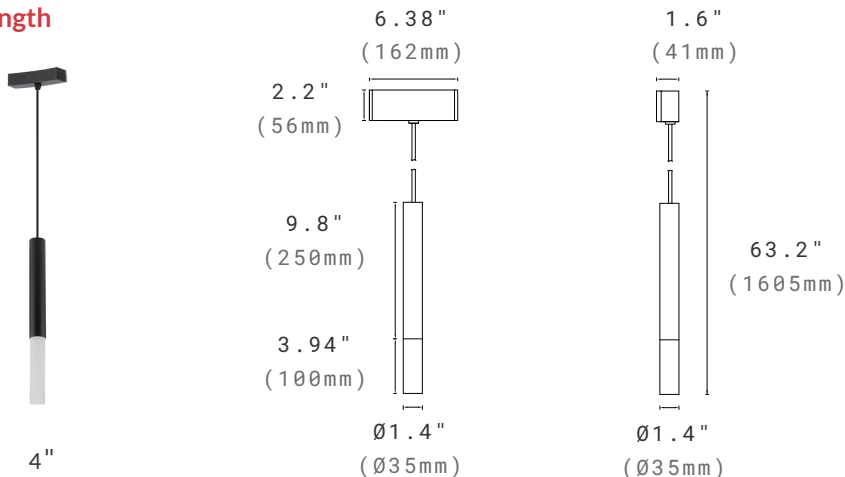
CMET Series	Tube Length	Wattage	CCT&CRI	Voltage	Lens	Installation	Finish
CMET	4 4"	05 5W	2790 2700K/90Ra	24V ¹ 24VDC ¹	DL Diffused	MTM Magnetic Track Mount	BK ² Black ²
	8 8"		3090 3000K/90Ra				WH ² White ²
			3590 3500K/90Ra				
			4090 4000K/90Ra				

NOTE:

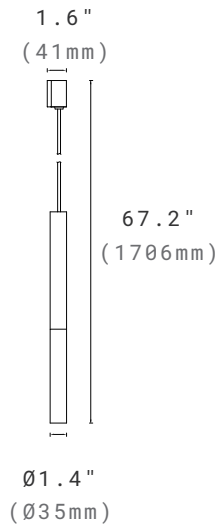
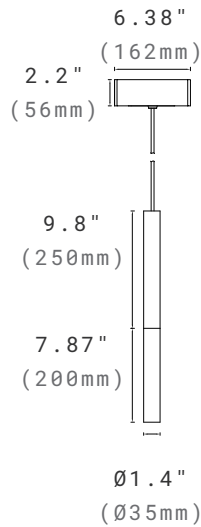
1. The fixture is used for 24V magnetic track system.
2. Black and white finish is standard. Custom finish colors are available at an additional charge. Please contact Customer Service for premium options.

DIMENSION

4" Tube Length

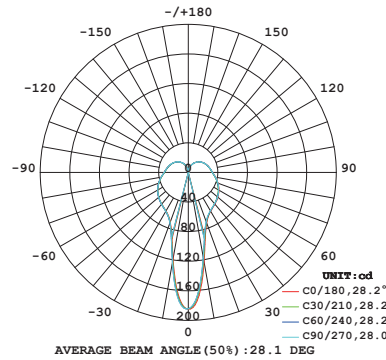
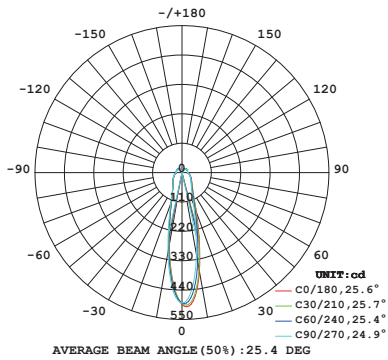


8" Tube Length



PHOTOMETRY

All published luminaire photometric testing performed to IESNA LM-79-08 standards by a NVLAP certified laboratory. IESNA LM-79-08 specifies the entire luminaire as the source resulting in a fixture efficiency of 100%. Results may vary per actual order.



PERFORMANCE DATA

Lumen values are measured by third party certified laboratories performed in accordance with IESNA LM-79-08 as well as Lighting Facts listed.

Wattage	Tube Length	Lumen Output	CRI	CCT	LPW
5W	3.94"	460lm	90	3000K	92
5W	7.87"	460lm	90	3000K	92