



JA8
TITLE 24



CAN ICES-005

The 2" Porla LED Downlight comes in round and square shapes with integral driver in a remote driver box. Five CCT selectable. Flexibility to switch color temperature during installation with the slide switch. Reflector optic design. Ideal for a variety of applications for both residential and commercial settings.

TECHNICAL DATA

Wattage	8W, 12W
Lumen Output	600lm, 1000lm
CCT	Selectable 2700K/3000K/3500K/ 4000K/5000K
Driver	Triac dimming - Standard 0-10V dimming - Optional
CRI	90
Input Voltage	120V or 120-277V, 50/60Hz
Projected Lifetime	L70-50,000 Hours
Operating Temp.	-4°F to 104°F (-20°C to 40°C)
Certifications	cETLus conforms to UL Std. 1598 Cert. to CSA Std. C22.2 No.250.0 RoHS compliant Suitable for wet locations IC Rated FCC&ICES-005 Compliant. (for 1000LM models and drivers.)
Power Factor	>0.9 at full load
Harmonic Distortion	<20% at full load
IP Rating	IP54

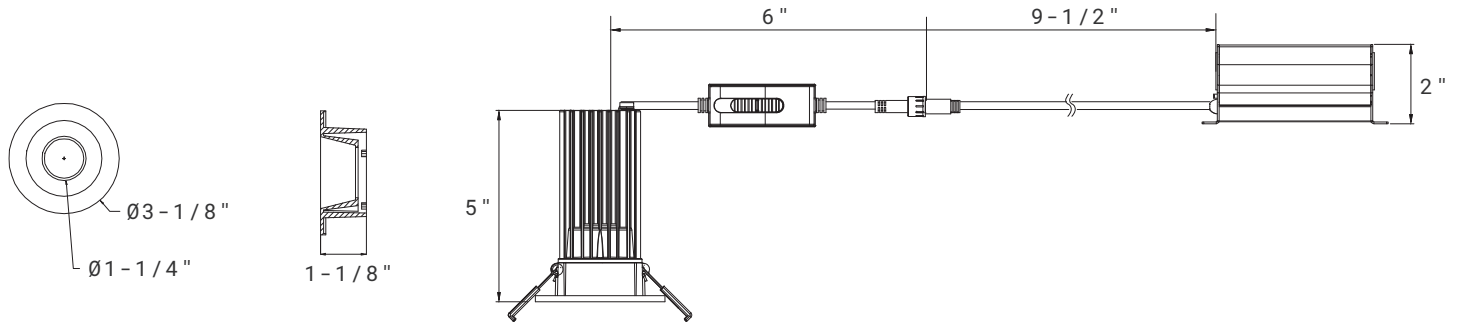
FEATURES

- **Versatile Design Options:** 2" size available in round and square shapes with aluminum construction and Type IC rating (no housing needed).
- **Advanced Performance Features:** Five CCT selectable with standard FT6 cable for reliable operation.

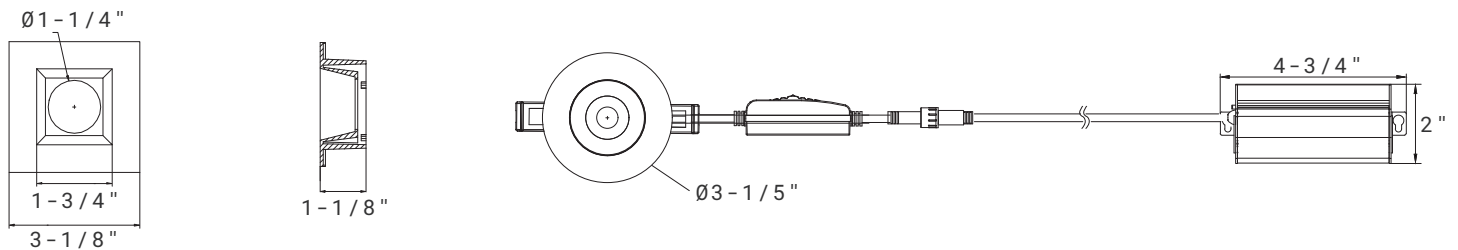
SPECIFICATION

2" DL Triac Dimming

2" Round Trim

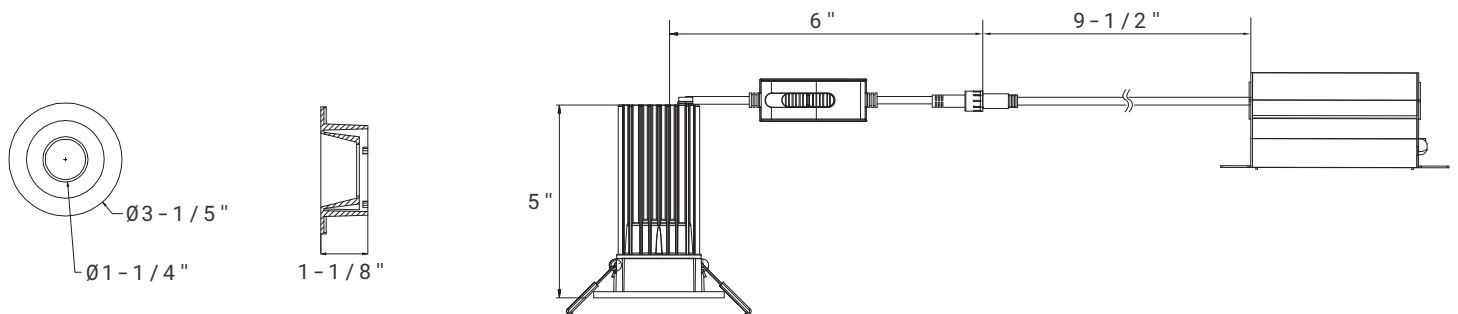


2" Square Trim



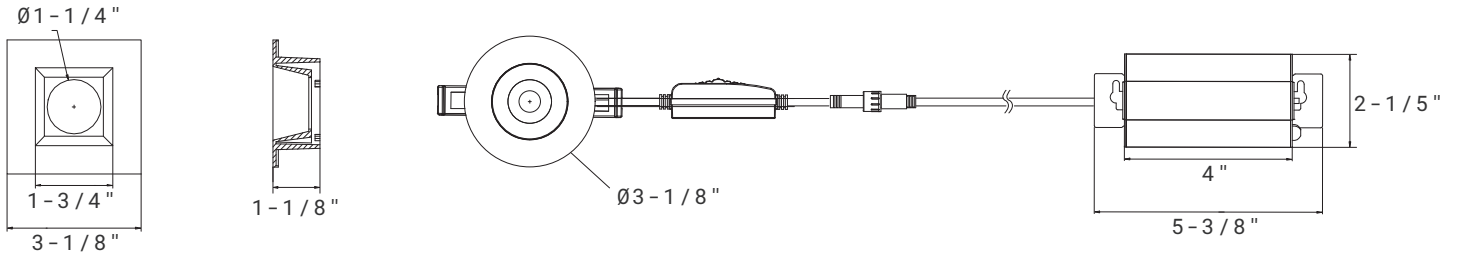
2" DL 0-10V Dimming

2" Round Trim

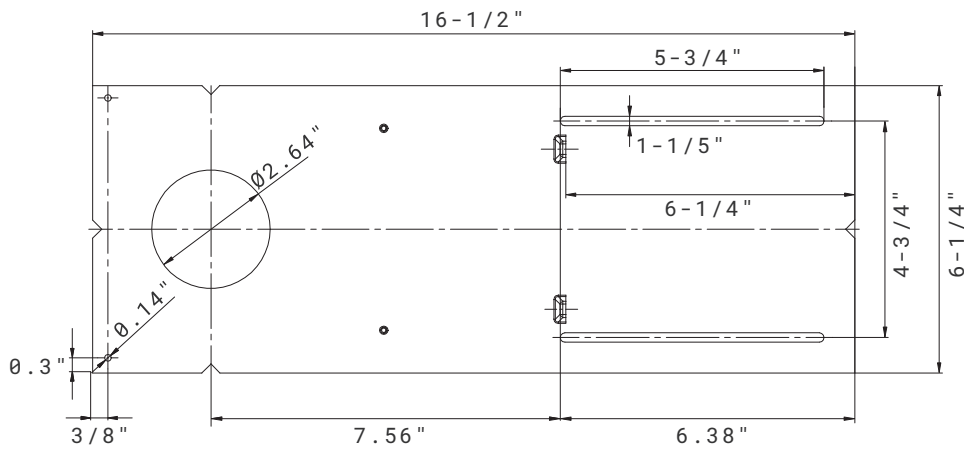


SPECIFICATION

2" Square Trim



Rough In Plate New Version



ORDERING INFORMATION

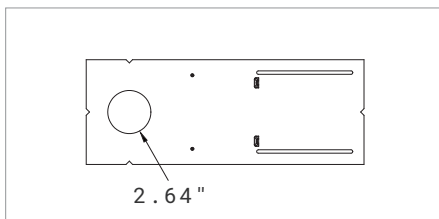
EXAMPLE: POR02-DLR-10LM-90-MBK

POR						
Series	Size	Adjustable	Shape	Lumens/CRI	Trim Finish ¹	Driver Option
POR Porla	02 2"	DL Downlight	R Round	06LM-90 600lm/90CRI	MWH Matte White	POR02-08W-4 600lm Triac Dimmable Driver
			S Square	10LM-90 ³ 1000lm/90CRI	MBK Matte Black	POR02-DL/ADJ-08W-1 600lm 0-10V Dimmable Driver POR02-12W-4 ³ 1000lm Triac Dimmable Driver POR02-12W-1 ³ 1000lm 0-10V Dimmable Driver

NOTE:

1. Custom trim colors are available at an additional charge.
2. 2700K, 3000K, 3500K, 4000K, 5000K selectable. 3000K is default setting.
3. The 1000LM models and drivers comply with FCC & ICES-005.

ACCESSORIES (ORDERED AND SHIPPED SEPARATELY)



POR02-RIP-N⁴

Rough-in Plate.

New Version



FT6 Extension Cable (2 pin).

POR-EXC6-FT6

6 feet 2 pin cable.

POR-EXC10-FT6

10 feet 2 pin cable.

POR-EXC20-FT6

20 feet 2 pin cable.

PERFORMANCE DATA

Lumen values are measured by third party certified laboratories performed in accordance with IESNA LM-79-08 as well as Lighting Facts listed.

Size	Nominal Wattage	Lumen Output	CCT	Beam Angle	CRI	Dimming	Cut Out
2 Inch DL	8W	600lm@3000K	Selectable 2700K/3000K/ 3500K/4000K/5000K	38 degree	90	Triac or 0-10V dimming	Ø2.64"
	12W	1000lm@3000K					

Lumen Multiplier

2700K	0.95
3000K	1
3500K	1.05
4000K	1.10
5000K	1.05

WARRANTY

5 years limited warranty.

Specifications subject to change without notice.