

2" PORLA LED DOWNLIGHT

Adjustable



JA8
TITLE 24



CAN ICES-005

The 2" Porla Recessed LED Downlight has integral driver in a remote driver box. Five CCT selectable. Flexibility to switch color temperature during installation with the slide switch located on the cable. Reflector optic design. Ideal for a variety of applications for both residential and commercial settings.

TECHNICAL DATA

Wattage	8W, 12W
Lumen Output	680lm, 1000lm
CCT	Selectable 2700K/3000K/3500K /4000K/5000K default setting: 3000K
Driver	Tiac dimming - Standard 0-10V dimming - Optional
CRI	90
Input Voltage	120V or 120-277V, 50/60Hz
Projected Lifetime	L70-50,000 Hours
Operating Temp.	-4°F to 104°F (-20°C to 40°C)
Certifications	cETLus conforms to UL Std. 1598 Cert. to CSA Std. C22.2 No.250.0 RoHS compliant IC Rated Suitable for wet locations FCC & ICES-005 Compliant (for 1000LM models and drivers.)
Power Factor	>0.9 at full load
Harmonic Distortion	<20% at full load
IP Rating	IP54

FEATURES

- **Versatile Design Options:** Five CCT selectable, Head is adjustable, FT6 cable is standard.
- **Advanced Performance Features:** Type IC rated - no housing needed, Aluminum construction.

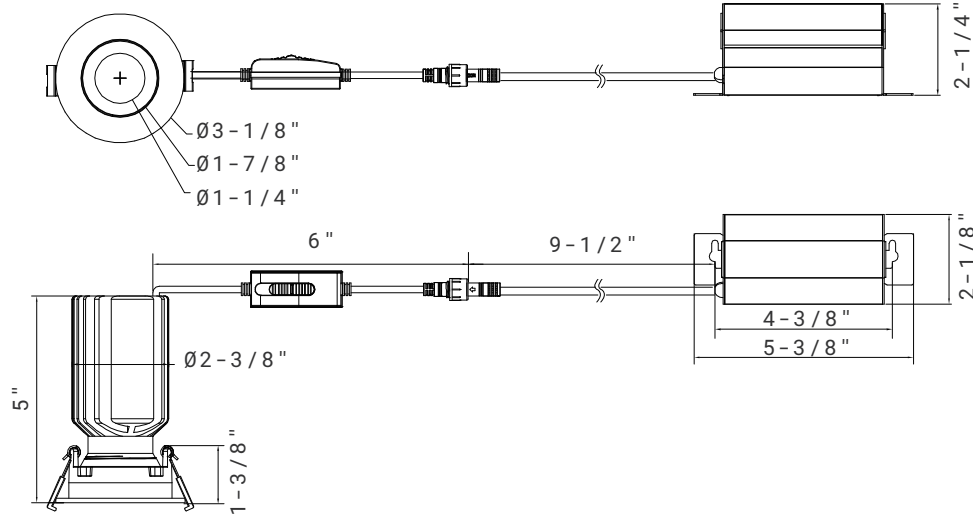
2" PORLA LED DOWNLIGHT

Adjustable

SPECIFICATION

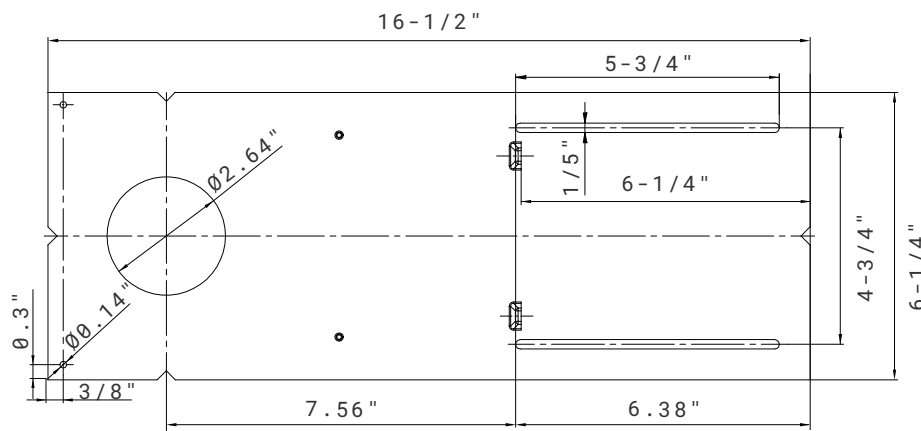
Dimension

2" ADJ Triac and 0-10V Dimming



Side View

Rough in Plate



2" PORLA LED DOWNLIGHT

Adjustable

ORDERING INFORMATION

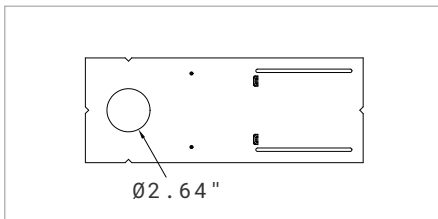
EXAMPLE: POR02-ADJ-R-10LM-90-MBK

POR						
Series	Size	Adjustable	Shape	Lumens/CRI	Trim Finish ¹	Driver Option
POR	02 2"	ADJ 14° Adjustable	R Round	06LM-90 600lm/90CRI 10LM-90 ³ 1000lm/90CRI	MWH Matte White MBK Matte Black	POR02-ADJ-08W-4 600lm Triac Dimmable Driver POR02-DL/ADJ-08W-1 600lm 0-10V Dimmable Driver POR02-ADJ-12W-4³ 1000lm Triac Dimmable Driver POR02-ADJ-12W-1³ 1000lm 0-10V Dimmable Driver

NOTE:

1. Custom trim colors are available at an additional charge. Please contact the Customer Service for details.
2. 2700K, 3000K, 3500K, 4000K, 5000K selectable. 3000K is default setting.
3. The 1000LM models and drivers comply with FCC & ICES-005.

ACCESSORIES (ORDERED AND SHIPPED SEPARATELY)



POR02-RIP-N
Rough-in Plate.



FT6 Extension Cable (2pin).

POR-EXC6-FT6

6 feet 2 pin cable.

POR-EXC10-FT6

10 feet 2 pin cable.

POR-EXC20-FT6

20 feet 2 pin cable.

2" PORLA LED DOWNLIGHT

Adjustable

PERFORMANCE DATA

Lumen values are measured by third party certified laboratories performed in accordance with IESNA LM-79-08 as well as Lighting Facts listed.

Lumen Output

Size	Nominal Wattage	Lumen Output	CCT	Beam Angle	Tilt Angle (ADJ)	CRI	Dimming	Cut Out
2 Inch ADJ	8W	680lm@4000K	Selectable 2700K/3000K/ 3500K/4000K/ 5000K	38 degree	14 degree	90	Triac or 0-10V Dimming	Ø2.64"
	12W	1000lm@4000K						

Lumen Multiplier

2700K	0.83
3000K	0.9
3500K	0.96
4000K	1
5000K	0.98

WARRANTY

5 years limited warranty.

Specifications subject to change without notice.