

4" PORLA LED DOWNLIGHT

1500LM & 2000LM



CAN ICES-005

This 4" Porla LED Downlight is powered by high efficiency LED chips and external LED driver. Round and square shapes with integral driver in a remote driver box. Five CCT selectable. Flexibility to switch color temperature during installation with the slide switch located on the cable. Reflector optic design. Ideal for a variety of applications for both residential and commercial settings.

TECHNICAL DATA

Wattage	18W, 25W
Lumen Output	1500lm, 2000lm
CCT	Selectable 2700K/3000K/3500K/ 4000K/5000K
Driver	Triac dimming - Standard 0-10V dimming - Optional
CRI	90
Input Voltage	120V or 120-277V, 50/60Hz
Projected Lifetime	L70-50,000 Hours
Operating Temp.	-4°F to 104°F (-20°C to 40°C)
Certifications	cETLus conforms to UL Std. 1598 Cert. to CSA Std. C22.2 No.250.0 RoHS compliant Suitable for wet locations 1500lm is IC rated 2000lm is Non-IC rated FCC&ICES-005 Compliant. (for 1000LM models and drivers.)
Power Factor	>0.9 at full load
Harmonic Distortion	<20% at full load
IP Rating	IP54

FEATURES

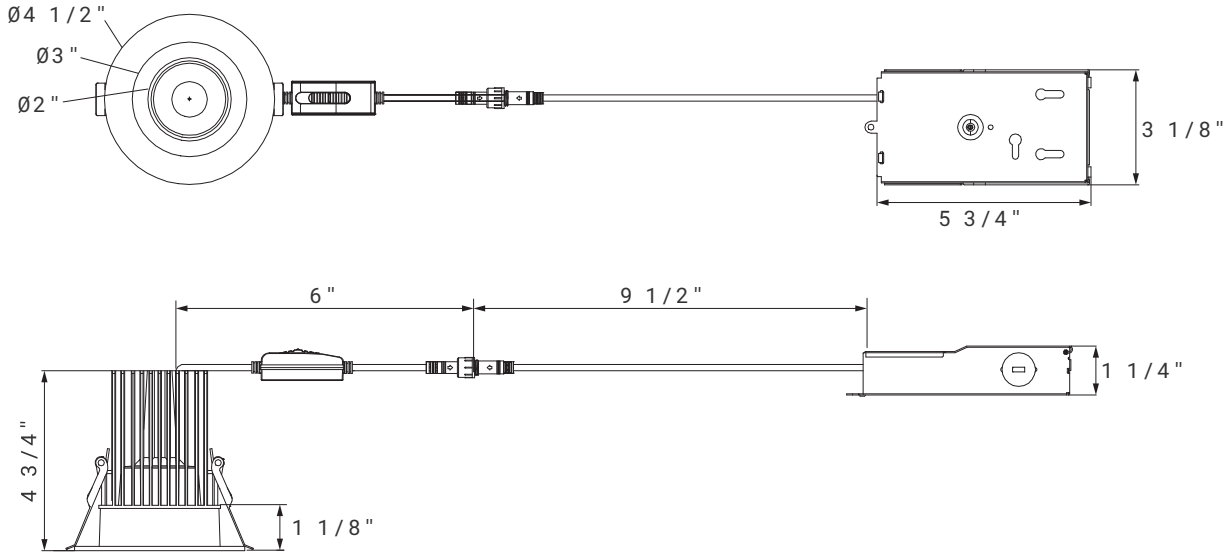
- **Versatile Design Options:** 4" size available in round and square shapes with aluminum construction.
- **Advanced Performance Features:** Five CCT selectable with standard FT6 cable for reliable operation.

4" PORLA LED DOWNLIGHT

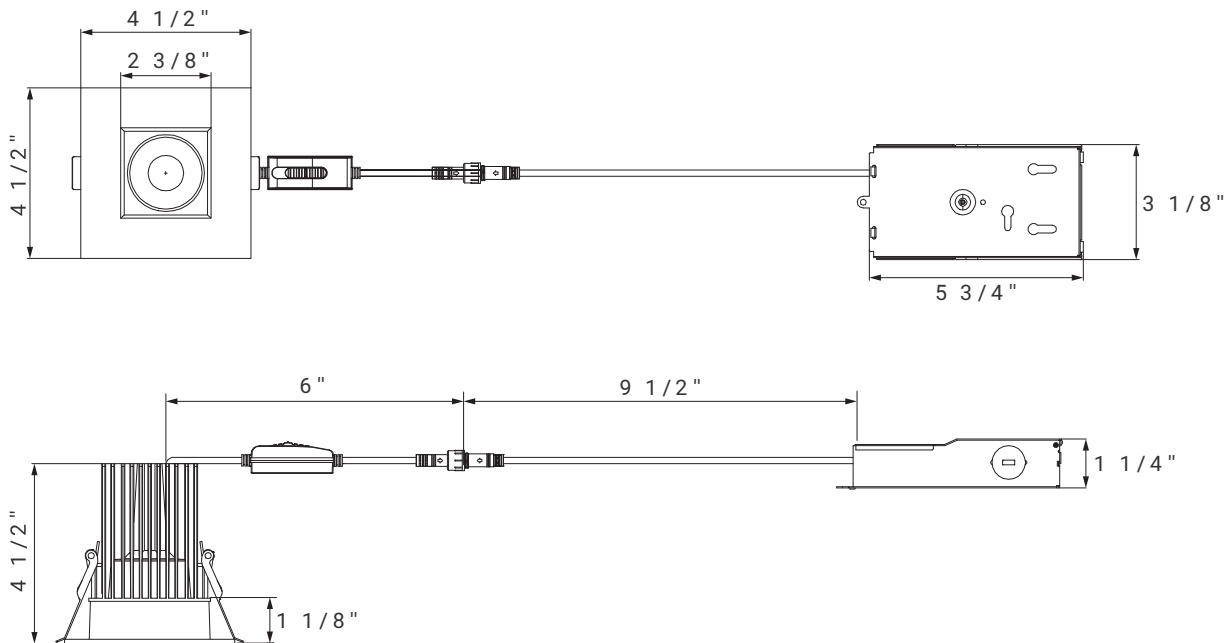
1500LM & 2000LM

SPECIFICATION

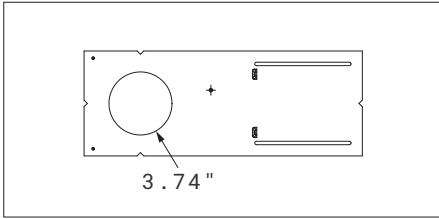
4" Round Triac and 0-10V Dimming



4" Square Triac and 0-10V Dimming



ACCESSORIES (ORDERED AND SHIPPED SEPARATELY)



POR04-RIP-N

Rough-in Plate.

New Version



FT6 Extension Cable (2 pin).

POR-EXC6-FT6

6 feet 2 pin cable.

POR-EXC10-FT6

10 feet 2 pin cable.

POR-EXC20-FT6

20 feet 2 pin cable.

PERFORMANCE DATA

Lumen values are measured by third party certified laboratories performed in accordance with IESNA LM-79-08 as well as Lighting Facts listed.

Size	Nominal Wattage	Lumen Output	CCT	Beam Angle	CRI	Dimming	Cut Out
4 Inch DL	18W	1500lm@3000K	Selectable 2700K/3000K/ 3500K/4000K/5000K	38 degree	90	Triac or 0-10V dimming	Ø3.74"
	25W	2000lm@3000K					

Lumen Multiplier

2700K	0.95
3000K	1
3500K	1.02
4000K	1.07
5000K	1.07

WARRANTY

5 years limited warranty.

Specifications subject to change without notice.