

4" PORLA LED DOWNLIGHT

Adjustable (1500lm)



JA8
TITLE 24



CAN ICES-005

The 4" Porla Recessed LED Downlight has integral driver in a remote driver box. Features in adjustable head with 1500lm. Five CCT selectable. Flexibility to switch color temperature during installation with the slide switch located on the cable. Reflector optic design. Ideal for a variety of applications for both residential and commercial settings.

TECHNICAL DATA

Wattage	18W
Lumen Output	1500lm
CCT	Selectable 2700K/3000K/3500K /4000K/5000K default setting: 3000K
Driver	Tiac dimming - Standard 0-10V dimming - Optional
CRI	90
Input Voltage	120V or 120-277V, 50/60Hz
Projected Lifetime	L70-50,000 Hours
Operating Temp.	-4°F to 104°F (-20°C to 40°C)
Certifications	cETLus conforms to UL Std. 1598 Cert. to CSA Std. C22.2 No.250.0 RoHS compliant IC Rated Suitable for wet locations FCC & ICES-005 Compliant (for 1500LM models and drivers.)
Power Factor	>0.9 at full load
Harmonic Distortion	<20% at full load

FEATURES

- **Versatile Design Options:** Five CCT selectable, Head is adjustable.
- **Reliable Design:** Type IC rated - no housing needed, FT6 cable is standard, Aluminum construction.

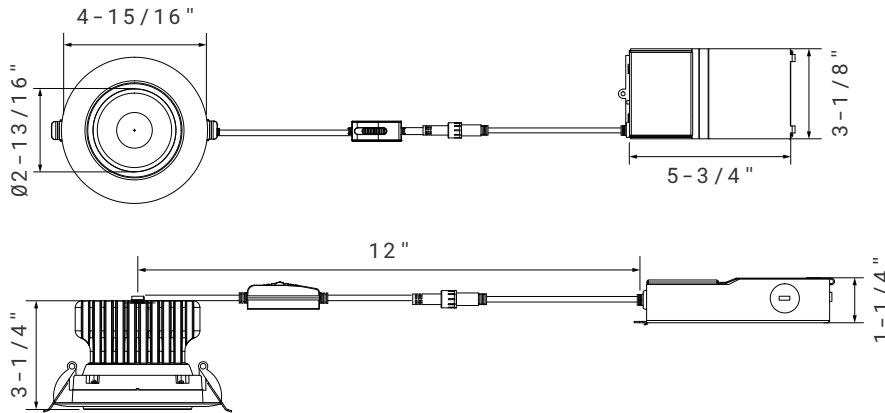
4" PORLA LED DOWNLIGHT

Adjustable (1500lm)

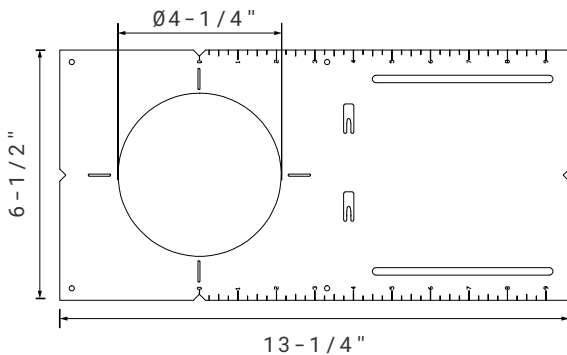
SPECIFICATION

Dimension

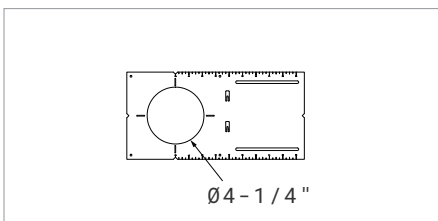
Triac and 0-10V Dimming



POR04-ADJ-RIP1



ACCESSORIES (ORDERED AND SHIPPED SEPARATELY)



POR04-ADJ-RIP1

New Construction.
Pre-mounting Plate.
Opening $\varnothing 4 - 1/4$ ".



FT6 Extension Cable.

POR-EXC6-FT6

6 feet cable.

POR-EXC10-FT6

10 feet cable.

POR-EXC20-FT6

20 feet cable.

4" PORLA LED DOWNLIGHT

Adjustable (1500lm)

ORDERING INFORMATION

EXAMPLE: POR04-ADJ-R-15LM-90-MWH

POR						
Series	Size	Adjustable	Shape	Lumens/CRI	Trim Finish ¹	Driver Option
POR	04 4"	ADJ Adjustable	R Round	15LM-90 ³ 1500lm/90CRI	MWH Matte White MBK Matte Black	POR04-18W-4 ³ 1500lm Triac Dimmable Driver POR04-18W-1 ³ 1500lm 0-10V Dimmable Driver

NOTE:

1. Custom trim colors are available at an additional charge. Please contact the Customer Service for details.
2. 2700K, 3000K, 3500K, 4000K, 5000K selectable. 3000K is default setting.
3. The 1500LM models and drivers comply with FCC & ICES-005.

PERFORMANCE DATA

Lumen values are measured by third party certified laboratories performed in accordance with IESNA LM-79-08 as well as Lighting Facts listed.

Lumen Output

Size	Nominal Wattage	Lumen Output	CCT	Beam Angle	CRI	Dimming	Cut Out
4 Inch ADJ	18W	1500lm@4000K	Selectable 2700K/3000K/ 3500K/4000K/5000K	38 degree	90	Triac or 0-10V Dimming	Ø4-1/4"



WARRANTY

5 years limited warranty.

Specifications subject to change without notice.