

6" ADJ PORLA LED DOWNLIGHT

1500lm



CAN ICES-005

The 6" Porla Recessed LED Downlight has integral driver in a remote driver box. Features in adjustable head with 1500lm. Five CCT selectable. Flexibility to switch color temperature during installation with the slide switch located on the cable. Ideal for a variety of applications for both residential and commercial settings.

TECHNICAL DATA

Wattage	18W
CCT	Selectable 2700K/ 3000K/3500K/ 4000K/5000K
Driver	Triac dimming is standard 0-10V is optional
CRI	90
Input Voltage	120V or 120-277V, 50/60Hz
Projected Lifetime	L70-50,000 Hours
Operating Temp.	-4°F to 104°F (-20°C to 40°C)
Certifications	cETLus conforms to UL Std. 1598 Cert. to CSA Std. C22.2 No.250.0 Suitable for wet locations IC rated RoHs compliant FCC&ICES-005 Compliant. (for 1500LM models and drivers.)
Power Factor	>0.9 at full load
Harmonic Distortion	<20% at full load

FEATURES

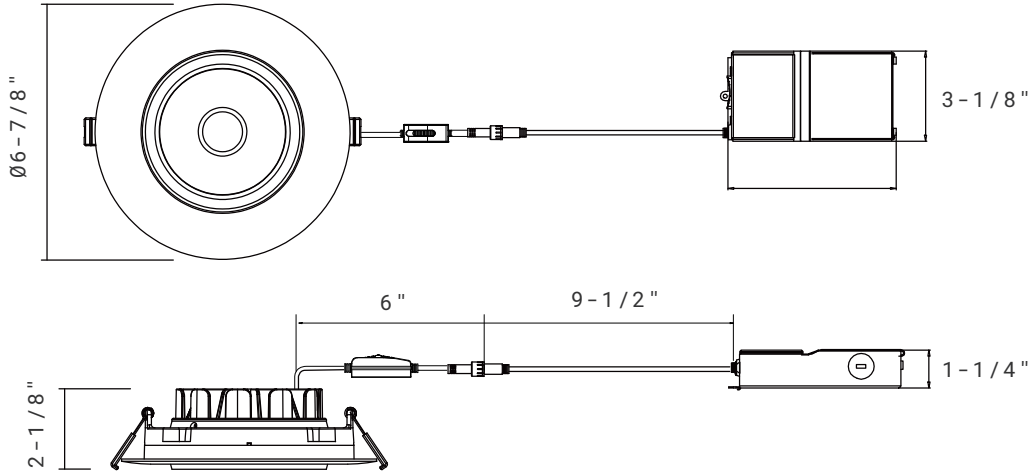
- Five CCT selectable.
- Type IC rated-no housing needed.
- Aluminum construction.
- Head is adjustable.

6" ADJ PORLA LED DOWNLIGHT

1500lm

SPECIFICATION

Triac and 0-10V Dimming



ORDERING INFORMATION

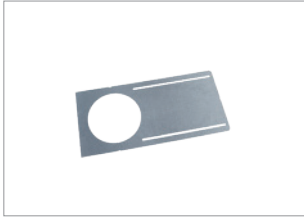
EXAMPLE: POR06-ADJ-R-15LM-90-MWH

POR						
Series	Size	Adjustable	Shape	Lumens/CRI	Trim Finish ²	Driver
POR	06 6"	ADJ Adjustable	R Round	15LM-90 ³ 18W 1500lm/90CRI	MWH Matte White MBK Matte Black	POR04-18W-4 ³ 1500lm Triac Dimmable Driver POR04-18W-1 ³ 1500lm 0-10V Dimmable Driver

NOTE:

1. 2700K, 3000K, 3500K, 4000K, 5000K selectable. 3000K is default setting.
2. Custom finish color is available for trim and additional charge will apply for custom finish.
3. The 1500LM models and drivers comply with FCC & ICES-005.

ACCESSORIES



Rough-In Plate
POR-RIP-159
New construction
pre-mounting plate
opening Ø6-1/4".



FT6 Extension Cable
POR-EXC6-FT6
6 feet cable.
POR-EXC10-FT6
10 feet cable.
POR-EXC20-FT6
20 feet cable.

PERFORMANCE DATA

Lumen values are measured by third party certified laboratories performed in accordance with IESNA LM-79-08 as well as Lighting Facts listed.

Size	Nominal Wattage	Lumen Output	CCT	Beam Angle	Tilt Angle (ADJ)	CRI	Dimming	Cut Out
6 Inch ADJ	18W	1500lm@4000K	Selectable 2700K/3000K/ 3500K/4000K/ 5000K	38 degree	30 degree	90	Triac or 0-10V Dimming	Ø6-1/4"

WARRANTY

5 year limited warranty.

Specifications subject to change without notice.