



The Architecture Curve LED Troffer comes in 2ftx2ft, 1ftx4ft and 2ftx4ft. Adopting the principle of side emitting light, the light guide plate is bended for comfortable and soft distribution. Ideal for standard T-bar and narrow grid drop ceiling to replace fluorescent troffers in offices, supermarkets, schools and other indoor applications.

## TECHNICAL DATA

### Wattage

2ftx2ft	Selectable 25W, 30W, 40W
---------	--------------------------

1ftx4ft	Selectable 25W, 30W, 40W
---------	--------------------------

2ftx4ft	Selectable 30W, 40W, 50W
---------	--------------------------

CCT	Selectable 3500K, 4000K, 5000K
-----	--------------------------------

Driver	0-10V Dimming
--------	---------------

CRI	80
-----	----

Input Voltage	120-277V, 120-347V, 50/60Hz
---------------	-----------------------------

Projected Lifetime	L70-100,000 Hours
--------------------	-------------------

Operating Temp.	-4°F to 104°F (-20°C to 40°C)
-----------------	-------------------------------

Certifications	cUL Listed
----------------	------------

	RoHS compliant
--	----------------

	Suitable for damp locations
--	-----------------------------

Power Factor	>0.9 at 120V
--------------	--------------

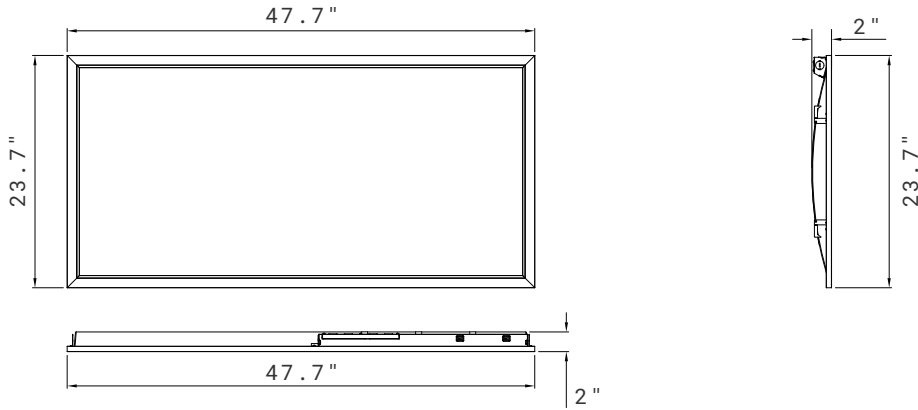
Harmonic Distortion	<20% at 120V
---------------------	--------------

## FEATURES

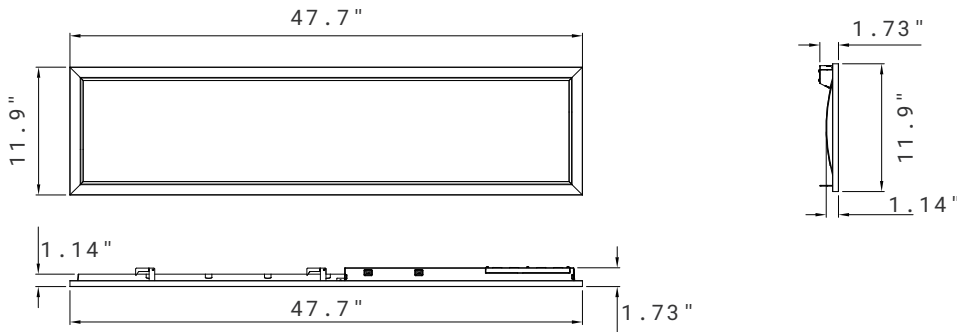
- Curved luminous surface.
- Wattage and CCT selectable.
- Comfortable and soft distribution.

## DIMENSION

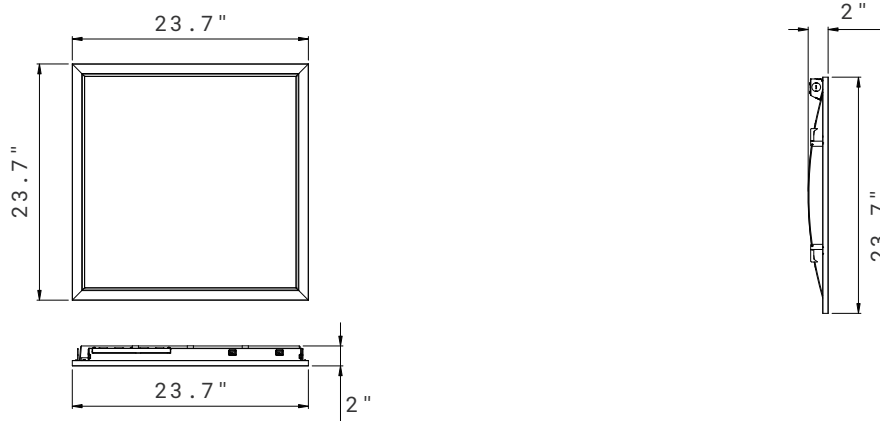
### 2'X4'



### 1'X4'



### 2'X2'



## ORDERING INFORMATION

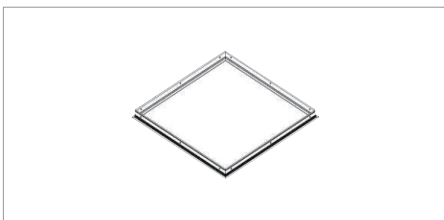
EXAMPLE: CVTR-22D-40SP-SW1

CVTR						
Series	Size	Dimmable	Wattage	CCT	Voltage	Control
CVTR	<b>22</b> 2'x2'	<b>D</b> 0-10V Driver	<b>40SP</b> Selectable 25W/30W/40W <sup>1</sup>	<b>SW</b> Selectable 3500K 4000K <sup>3</sup> 5000K	<b>1</b> 120-277V <sup>4</sup>  <b>8</b> 120-347V <sup>4</sup>	<b>BLANK</b> None  <b>EBU</b> Emergency Battery Backup <sup>5</sup>
	<b>14</b> 1'x4'	<b>D</b> 0-10V Driver	<b>40SP</b> Selectable 25W/30W/40W <sup>1</sup>			
	<b>24</b> 2'x4'	<b>D</b> 0-10V Driver	<b>50SP</b> Selectable 30W/40W/50W <sup>2</sup>			

**NOTE:**

1. 40W is default setting for 40SP.
2. 50W is default setting for 50SP.
3. 4000K is default setting.
4. 120-277V is standard. 120-347V has MOQ requirement.
5. Emergency battery back-up is installed on the back of the housing. It is for ambient temperatures of 32°F -95°F (0 °C -35°C).
6. White finish is standard. Custom finish colors are available at an additional charge. Please contact Customer Service for premium options.

## ACCESSORIES (ORDERED SEPARATELY)



**90141K**

2'x2' Flange Kit.

## PERFORMANCE DATA

Lumen values are measured by third party certified laboratories performed in accordance with IESNA LM-79-08 as well as Lighting Facts listed.

### 2'x2'

Wattage	Measured Wattage	Lumen Output	CRI	CCT	LPW
25W	25W	3000lm	>80	5000K	120
30W	28.6W	3400lm	>80	5000K	118
40W	39.6W	4500lm	>80	5000K	114

### 2'x4'

Wattage	Measured Wattage	Lumen Output	CRI	CCT	LPW
30W	30W	3700lm	>80	5000K	121
40W	40W	4900lm	>80	5000K	121
50W	48.6W	5600lm	>80	5000K	116

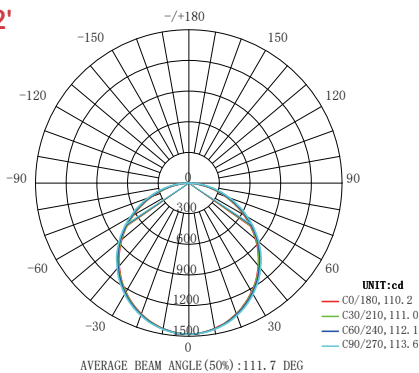
### 1'x4'

Wattage	Measured Wattage	Lumen Output	CRI	CCT	LPW
25W	24W	2700lm	>80	5000K	113
30W	27.8W	3100lm	>80	5000K	111
40W	38W	4170lm	>80	5000K	109

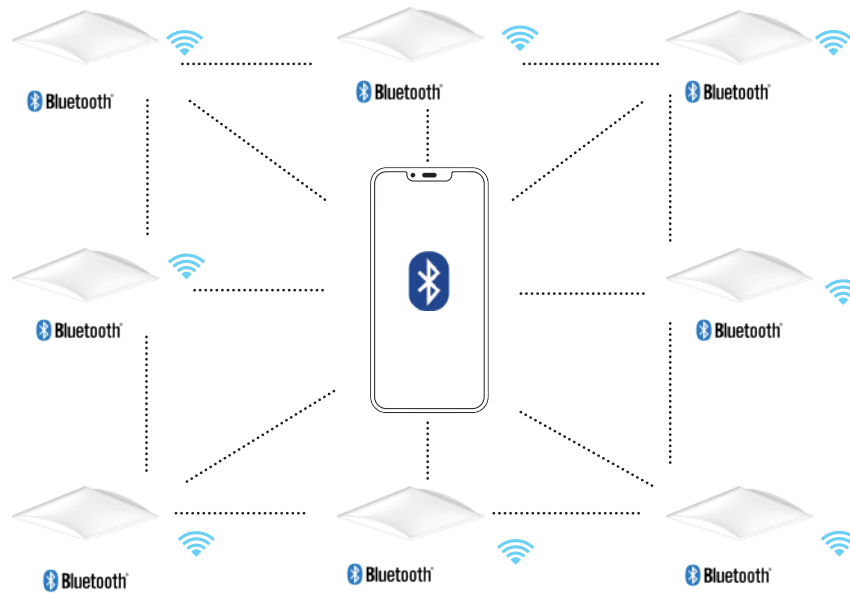
## PHOTOMETRY

All published luminaire photometric testing performed to IESNA LM-79-08 standards by a NVLAP certified laboratory. IESNA LM-79-08 specifies the entire luminaire as the source resulting in a fixture efficiency of 100%. Results may vary per actual order.

### 2'x2'



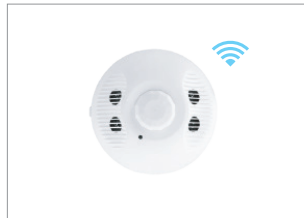
## BLUETOOTH PIR MOTION SENSOR



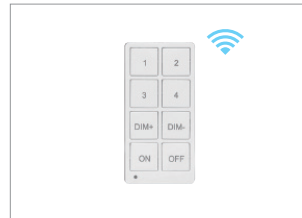
### Bluetooth Mesh Control



**BMWC-L104S-1-BLE-KL**  
Zone Controller 120-277V  
20A.



**BMS-L107D-PIR-1-BLE-KL-CM-B1**  
Wireless Occupancy and  
Vacancy Dimming Ceiling  
Sensor, 120-277V.



Wireless Switch.

### Wireless Switch Options



**BMWS-L-D-1-3BT-BLE-KL**  
-WH



**BMWS-L-D-5BT-BLE-KL**  
-WH



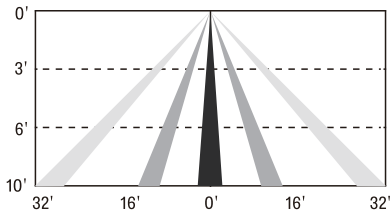
**BMWS-L-D-1-7BT-BLE-KL**  
-WH



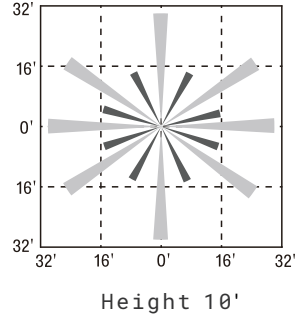
**BMWS-L-D-8BT-BLE-KL**  
-WH

## Detection Area

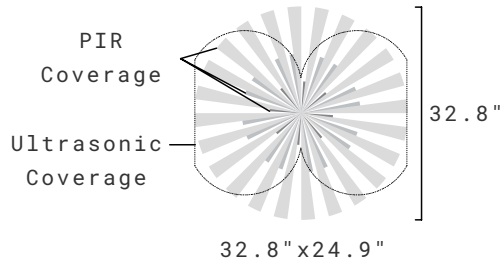
### PIR Coverage Side View



### PIR Coverage Top View



### PIR + Ultrasonic Coverage Top View



## WARRANTY

5 year limited warranty.

Specifications subject to change without notice.