

3" MELO CYLINDER LIGHT

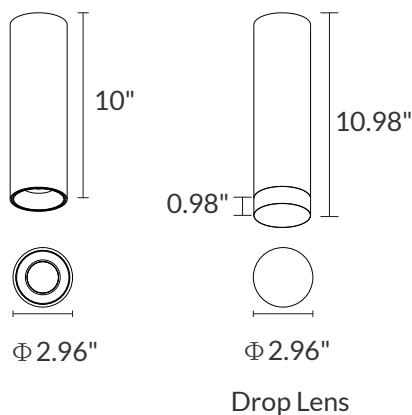


The Melo Cylinder would greatly create possibilities in the whole commercial area. Multiple sizes, beam options, and high visual comfort COB LED. It is now available in pendant surface and wall mount configurations which offers a beautiful and architectural cylinder solutions.

TECHNICAL DATA

Wattage	19W/16W/13W/10W/8W/5W
Beam Angle	15°, 24°, 36°, 60°
CRI	90(standard)
CCT	2700K, 3000K, 3500K, 4000K
MacAdam Ellipse(SDCM)	<3 step
Driver	0-10V Dimming, dim to 1% TRIAC Dimming
Input Voltage	120-277V, 50/60Hz
Operating Temp.	-4°F to 77°F(-20°C to 25°C)
Certifications	cULus conforms to UL Std. 1598 Cert. to CSA Std. C22.2 No.250.0 Suitable for damp locations RoHS compliant
Power Factor	>0.9 at full load
Harmonic Distortion	<20% at full load
Projected Lifetime	L70 - 100,000 Hours

DIMENSIONS



FEATURES

- **Optical Performance:** COB LED chip with a standard CRI of 90+, offering a selection of beam angles including 15°, 24°, 36°, 60° and wall wash.
- **Mounting Options:** Modular design with pendant, surface and wall mount.
- **Modular design:** Fully modular cylinder, configure endless possibilities.

CANOPY OPTIONS

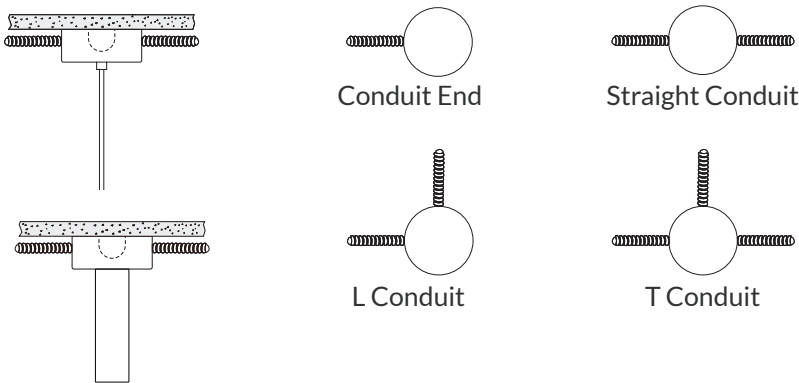
Flat Canopy For Recessed J-box

If J-box is recessed (3" octagon, 4" octagon and 4" round), a 4.5" flat canopy is provided for mounting to recessed junction box in white or black powder coat painted finish.

Conduit Deep Canopy For Conduit surface J-box

If standard 4" octagonal J-box is surface mounted, a Ø5.97" round x 2.38" deep canopy with conduit cutout is provided for mounting. Conduit cutout canopy has 4 key slots, one in each side, and can be configured to accommodate any ceiling layout using 1/2" or 3/8" conduit. Conduit cutout canopy is provided white and black powder coat painted finish.

Conduit Mounting Example



MOUNTING

Cable Pendant Mount

White/black power cable is provided in length specified (2' nominal, 4' nominal, 8' nominal or 12' nominal). Installers can cut the cable in the field to desired length.

Stem Pendant Mount

Ø12/25" steel stem is provided in length specified (2' nominal, 4' nominal, 8' nominal or 12' nominal) and is provided in white or black finish.

Surface Mount

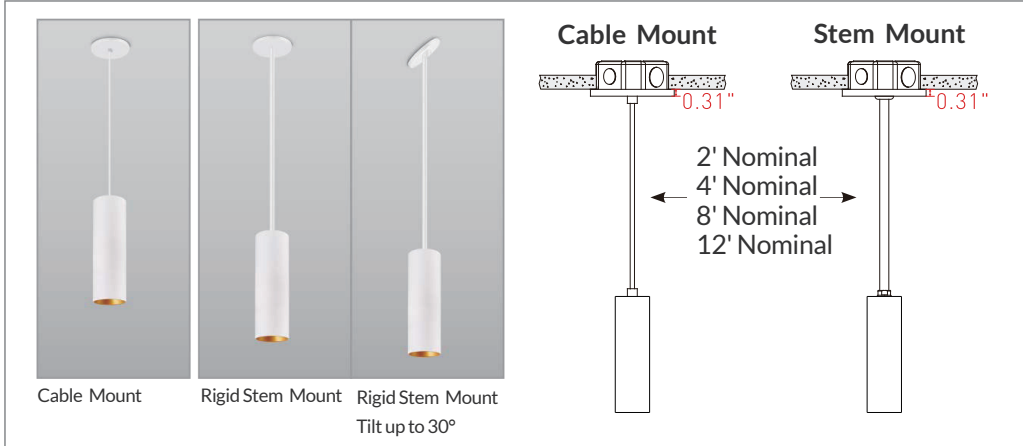
Surface mount to recessed or surface conduit junction box.

Wall Mount

Wall mount to recessed junction box.

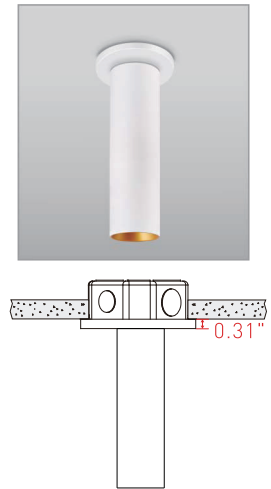
PENDANT OPTIONS

Pendant With Flat Canopy For Recessed J-Box

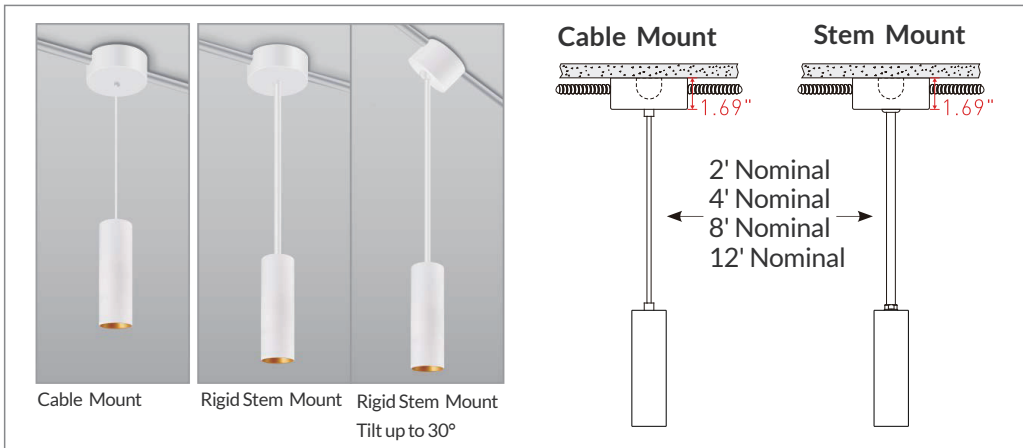


Surface Options

Surface Mount To Recessed Junction Box



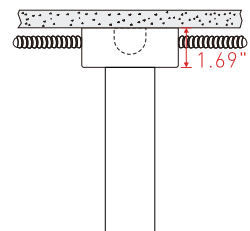
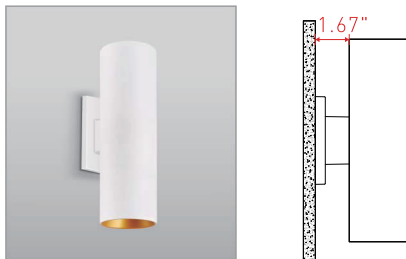
Pendant With Conduit Cutout Deep Canopy For Surface 4" Octagonal Junction Box



Surface Mount With Conduit Cutout For Surface Mounted 4" Octagonal Junction Box





Wall Mount



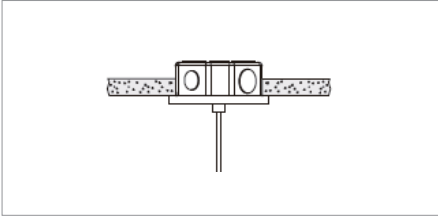
ORDERING INFORMATION

EXAMPLE: MELO0310R-SP30901-01D-SMR-36-WH-2-HCB-WH

MELO							
1. Series	2. Size	3. Shape	4. Power	5. CCT	6. CRI	7. Voltage	8. Dimming
MELO	0310 Diameter 3 " Height 10 "	R Round	SP Wattages Selectable 19W/16W/13W /10W/8W/5W <i>*19W is default setting.</i>	27 2700K 30 3000K 35 3500K 40 4000K	90 90+ CRI	1 120-277V	01D 0-10V dim to 1% or Triac Dimming <i>*Triac dimming only works at 120V.</i>
9. Installation	10. Beam/Lens	11. Optics	12. Cable Length	13. Options	14. Housing Finish		
SMR Standard surface mount for recessed J-box <i>*Please order separate accessory for conduit surface mount.</i> ACPMK Aircraft CablePendant Mount Kits <i>*Need to order the aircraft cable pendant mount kits separately.</i> RPMK Rod Pendant Mount Kits <i>*Need to order the rod pendant mount kits separately.</i> WM Wall Mount	15 15° clear lens 24 24° clear lens 36 36° clear lens 60 60° clear lens <i>*Drop lens is frosted.</i>	<i>Anti-glare reflector</i> WH  White BK  Black GD  Golden CM  Chrome <i>Drop Lens</i> DL  Drop Lens 1 inch thickness <i>Wall Wash</i> WW Wall wash white WB Wall wash black	2 2FT 4 4FT 8 8FT 12 12FT <i>*4FT is standard.</i>	Blank None HCB Honeycomb <i>*Only for anti-glare reflector.</i> <i>Decorative Light</i> <i>*Only for anti-glare reflector.</i> RDBK Red and black baffle BLBK Blue and black baffle GNBK Green and black baffle YLBK Yellow and black baffle TRBK Transparent +black baffle RDWH Red and white baffle BLWH Blue and white baffle GNWH Green and white baffle YLWH Yellow and white baffle TRWH Transparent +black baffle	WH White RAL#9003 BK Black RAL#9004 <i>*White or black finish is standard. Custom color is available at an additional charge.</i>		

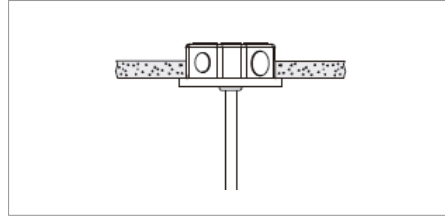
ACCESSORIES (ORDERED SEPARATELY AND FIELD INSTALLED)

For Recessed Junction Box



MELO-PMK-AC-RM-4-4FT-WH
MELO-PMK-AC-RM-4-4FT-BK

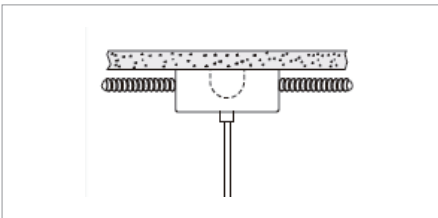
Aircraft cable mount for 3"/4" MELO, 4ft long cable, (recessed junction box). WH is for white. BK is for black.



MELO-PMK-RS-RM-4/6/8-4FT-WH
MELO-PMK-RS-RM-4/6/8-4FT-BK

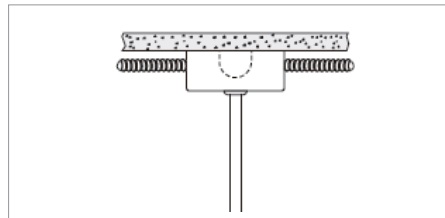
Rigid stem mount for 3"/4"/6"/8" MELO, 4ft long stem, (recessed junction box). WH is for white. BK is for black.

For Conduit Surface Junction Box



MELO-PMK-AC-SM-4-4FT-WH
MELO-PMK-AC-SM-4-4FT-BK

Aircraft cable mount for 3"/4" MELO, 4ft long cable, (conduit surface junction box). WH is for white. BK is for black.



MELO-PMK-RS-SM-4/6/8-4FT-WH
MELO-PMK-RS-SM-4/6/8-4FT-BK

Rigid stem mount for 3"/4"/6"/8" MELO, 4ft long stem, (conduit surface junction box). WH is for white. BK is for black.



MELO-SMK-SM-SM-4/6/8-WH
MELO-SMK-SM-SM-4/6/8-BK

Conduit surface mount kits for 3"/4"/6"/8" MELO, (conduit surface junction box). WH is for white. BK is for black.

Note:

4ft cable and rigid stem are standard. 2ft/8ft/12ft are available. Please contact Customer Service.

ACCESSORIES (ORDERED SEPARATELY AND FIELD INSTALLED)



AAL-EBU-AC08D-YYY

Remote 8W LED Emergency Battery Back-up 120-347VAC

AAL-EBU-AC15D-YYY

Remote 15W LED Emergency Battery Back-up 120-347VAC

AAL-EBU-AC25D-YYY

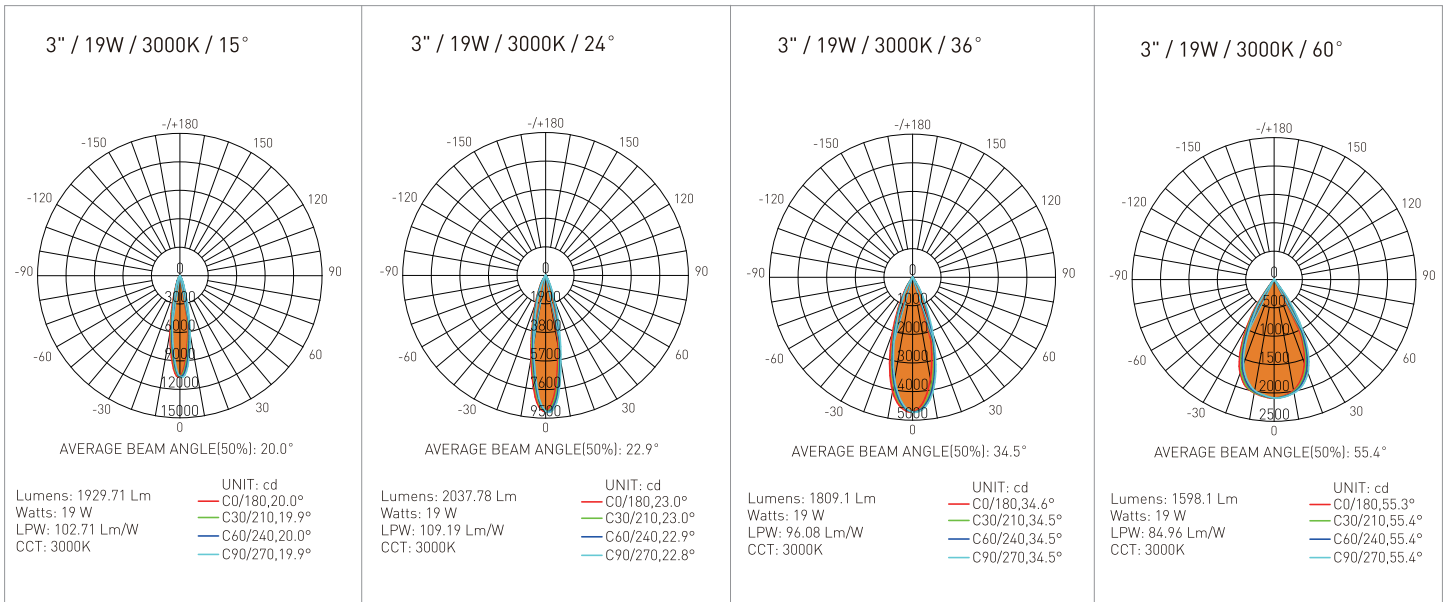
Remote 25W LED Emergency Battery Back-up 120-347VAC

NOTE:

1. The 8W EBU supports up to 60W total lighting load, 15W EBU supports up to 100W total lighting load, while the 25W EBU supports up to 150W total lighting load.
2. The dimming control wire is optional when the combined power of all connected lights is lower than the EBU's rated power.
3. The dimming control wire must be connected when the total power of all connected lights exceeds the EBU's rated capacity.

PHOTOMETRY

All published luminaire photometric testing performed to IESNA LM-79-08 standards by a NVLAP certified laboratory. IESNA LM-79-08 specifies the entire luminaire as the source resulting in a fixture efficiency of 100%. Results may vary per actual order.



PERFORMANCE DATA

Lumen values are measured by third party certified laboratories performed in accordance with IESNA LM-79-08 as well as Lighting Facts listed.

Size/Wattage	15°/3000K/White		24°/3000K/White		36°/3000K/White		60°/3000K/White	
	Efficacy	Lumens	Efficacy	Lumens	Efficacy	Lumens	Efficacy	Lumens
3"/5W	115lm/w	575lm	115lm/w	575lm	105lm/w	525m	95lm/w	475lm
3"/8W	115lm/w	920lm	120lm/w	960lm	105lm/w	840lm	95lm/w	760lm
3"/10W	115lm/w	1150lm	115lm/w	1150lm	105lm/w	1050lm	95lm/w	950lm
3"/13W	110lm/w	1430lm	115lm/w	1490lm	105lm/w	1365lm	90lm/w	1170lm
3"/16W	105lm/w	1680lm	110lm/w	1760lm	105lm/w	1600lm	80lm/w	1280lm
3"/19W	100lm/w	1900lm	105lm/w	1995lm	95lm/w	1805lm	80lm/w	1520lm

Remark: The lumens are subject to 3000K 90+ with white anti-glare trim. Lumen output may vary \pm 5% base on different CCT, beam angle, and trim.

DIMMER COMPATIBLE

0-10V Dimming(Dim to 1%)

LEVITON	LUTRON	LEVITON	LUTRON	LEGRAND	LUTRON	LEVITON
DD710	MS-Z101	AWSMT-7DW	NTSTV	RH4FBL3PTC	DVSTV	IP710
X	X	X	√	√	√	√

TRIAC Dimming

DV600P	DVCL-153P	6683	DV603P	6672	MSCL-DP153M	CT-603PG
√	√	√	√	√	√	√
S-603P	LG-600P	TGCL-153DH	SCL-153P	6674-LEVITON	CTCL-153P	
√	√	√	√	√	√	